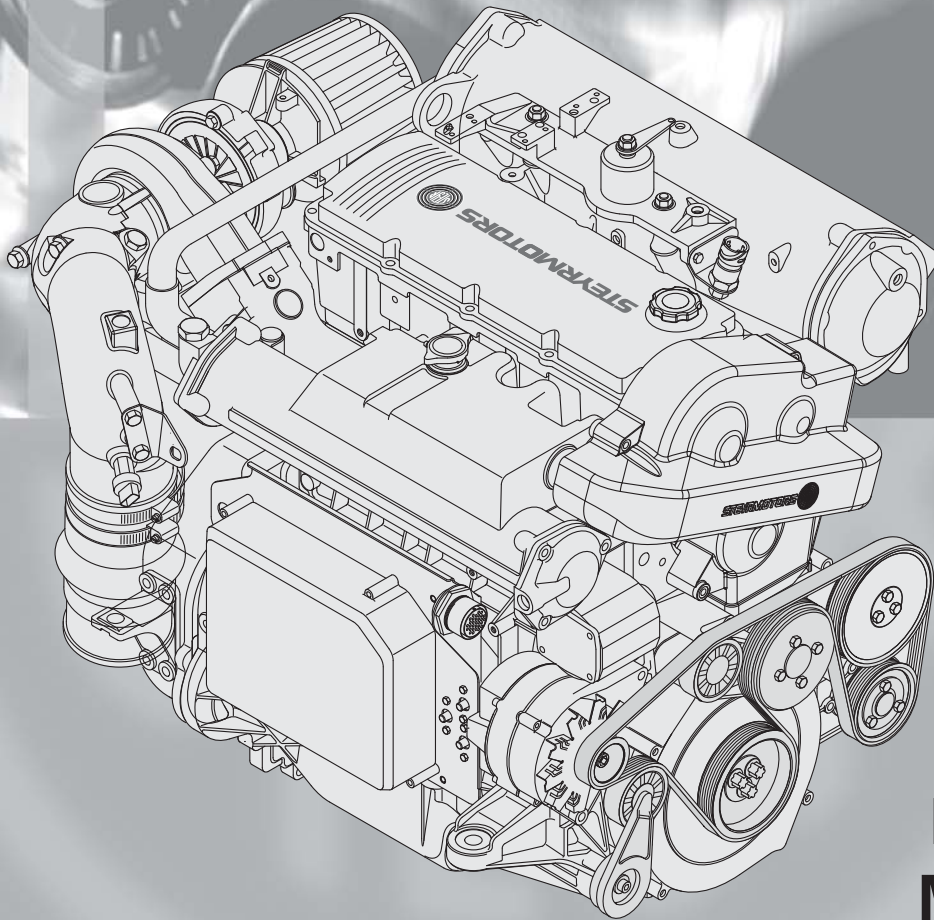




STEYR MARINE ENGINES

144 MARINE
TURBO DIESEL
+ SOLAS



MO144V38
MO144M38

Serial no.: 48217 001 -->

SPARE PARTS CATALOGUE

P/N Z001005-0 9th Edition, May 2014

TEL ++43 / 7252 / 222 / 20

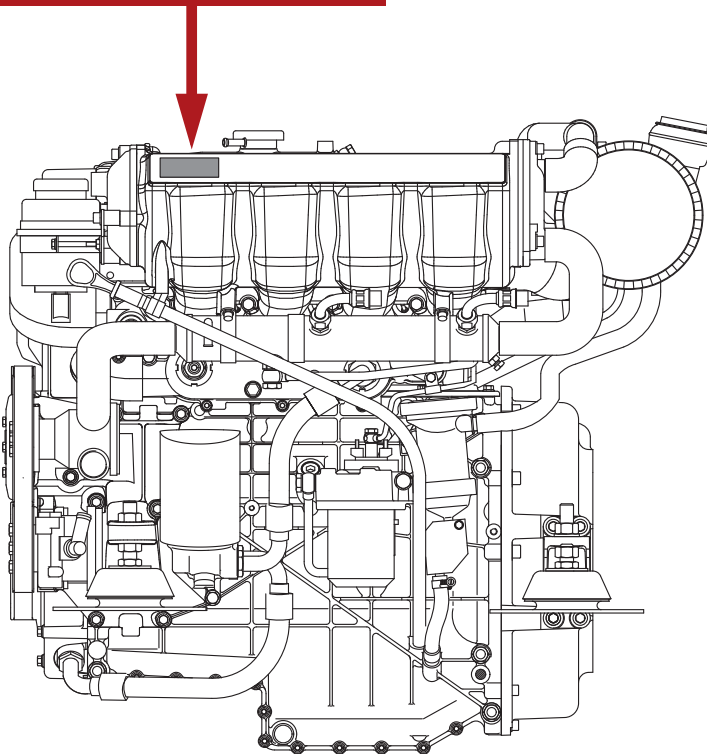
FAX ++43 / 7252 / 222 / 29

@ e.sales@steyr-motors.com

When ordering spare parts are always indicate serial engine number.
This will speed up delivery and help to avoid mistakes.

The primary model and serial number is located on the engine as illustrated. These numbers are required when requesting warranty and ordering parts.

Model identification



07001

Substituting automotive or generally supplied parts and hardware will often result in less than desired performance. For this reason, you should insist on the known quality of genuine STEYR Marine matched replacement parts, and should never use parts of unknown quality.

We reserve the right to make changes in design and execution which incorporate advances in technology!



SIGNS AND SYMBOLS

1



TA 0101

CYLINDERBLOCK

144 MARINE
TURBO DIESEL
+ SOLAS

2

01014084-0

3	4	5	6	8	9	7
Pos.	Part.-No.	Qty	Designation			Step
24	Z002676-0	1	SPARE PART COVER T-BELT →48226146			.2
26	2203711-1	1	COVER T-BELT, UPPER PART 48226147→			.2
28	9000538-0	3	HEX.FLANGE BOLT EN 1665-M6x50 A2-70			.2

- 1 Table number
- 2 Partlist number for whole table/ functional groups
- 3 Positions number
- 4 Spare part number
- 5 Quantity for one engine respectively assembly group
- 6 Designation and description of spare part
- 7 Groupparts are marked with a circle around the position number. Parts in the list below these, which had an increased step number by one, will be included at delivery.
- 8 → 4..... Arrow before engine number:
Spare part UNTIL and LOWER
- 9 4..... → Arrow past engine number:
Spare part FROM and HIGHER

ACROBAT

... back to "starting point"

... one page back

... one page forward





<p>TA 0100 Page 12 MOUNT BRACKET, LIFTING EYE, GASKET SET</p>	<p>TA 0101 Page 14 CRANKCASE</p>	<p>TA 0102 Page 16 CRANKSHAFT, BEARING, DAMPER</p>
<p>TA 0103 Page 18 FLYWHEEL, FLYWHEELHOUSING</p>	<p>TA 0104 Page 22 PISTON, RINGS AND PIN, CONNECTION ROD</p>	<p>TA 0105 Page 24 CAMSHAFT, HOUSING</p>
<p>TA 0106 Page 28 OILPUMP, OILPIPE, OILPAN</p>	<p>TA 0108 Page 32 INTERCOOLER</p>	<p>TA 0109 Page 36 POWER TAKE OFF FRONT</p>





TABLE OF CONTENTS - SPARE PARTS CATALOGUE

144 MARINE
TURBO DIESEL
+ SOLAS

<p>TA 0113 Page 38 OILCOOLER</p> <p>01134084-0</p>	<p>TA 0114 Page 42 EXHAUST, HEAT EXCHANGER, GASKET</p> <p>01144084-0</p>	<p>TA 0200 Page 46 COUPLER - SMALL FLYWHEEL</p> <p>02004084-0</p>
<p>TA 0201 Page 48 COUPLER</p> <p>02014084-1</p>	<p>TA 0201 Page 50 COUPLER</p> <p>02014084-3</p>	<p>TA 0302 Page 52 FUEL PUMP, UNIT INJECTOR, PIPE</p> <p>03024084-1</p>
<p>TA 0304 Page 54 AIRFILTER -->48219069 (ONLY FOR MO144V38)</p> <p>03044084-0</p> <p>ERSETZT DURCH: REPLACED BY: POS. 110 - 20027020</p>	<p>TA 0304 Page 56 AIRFILTER 48219070 --> (ONLY FOR MO144V38)</p> <p>03044084-1</p> <p>ERSETZT DURCH: REPLACED BY: POS. 110 - 20027020</p>	<p>TA 0304 Page 58 AIRFILTER --> 48228079 (ONLY FOR MO144M38)</p> <p>03044084-0</p> <p>ERSETZT DURCH: REPLACED BY: POS. 110 - 20027020</p>





TABLE OF CONTENTS - SPARE PARTS CATALOGUE

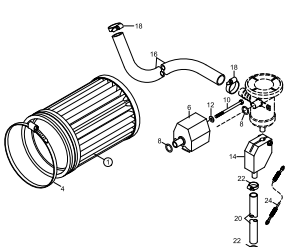

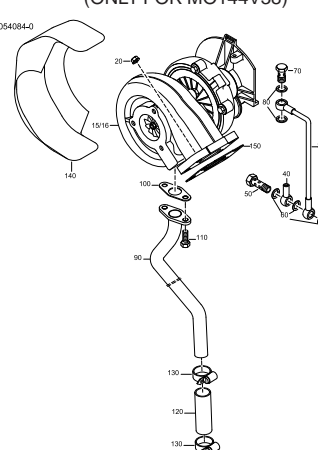

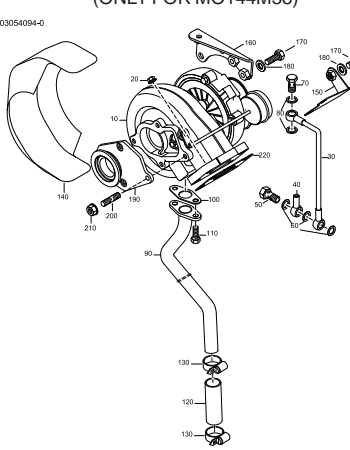

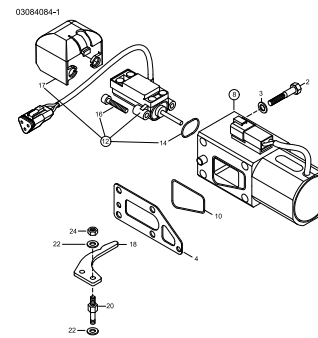

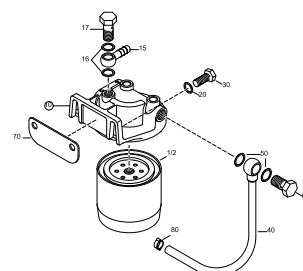

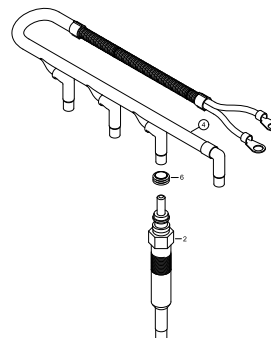

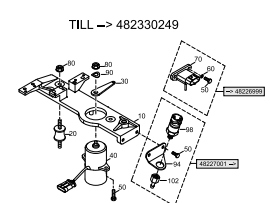
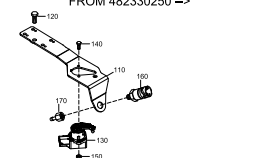

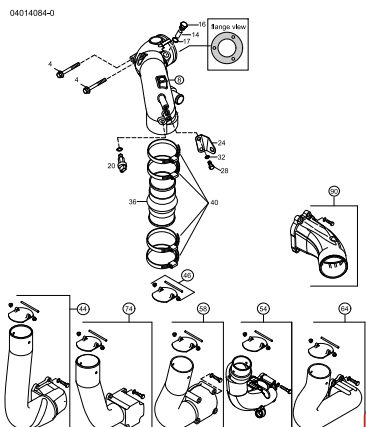

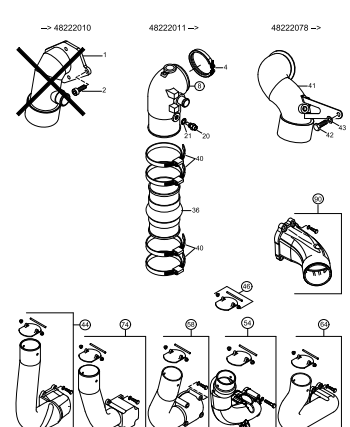

<p>TA 0304 Page 60 AIRFILTER 48228080 --></p> <p>(ONLY FOR MO144M38)</p> <p>03044094-1</p>  	<p>TA 0305 Page 62 TURBOCHARGER</p> <p>(ONLY FOR MO144V38)</p> <p>03054084-0</p>  	<p>TA 0305 Page 64 TURBOCHARGER</p> <p>(ONLY FOR MO144M38)</p> <p>03054094-0</p>  
<p>TA 0308 Page 66 CONTR. SOLENOID, POTENTIOMETER</p> <p>03084084-1</p>  	<p>TA 0309 Page 68 FUEL FILTER</p> <p>03094084-1</p>  	<p>TA 0311 Page 70 GLOW PIN</p> <p>03114084-0</p>  
<p>TA 0312 Page 72 POT. ACCELE., BOOST PRESSURE SENSOR</p> <p>03124084-0</p> <p>TILL -> 482330249</p>  <p>FROM 482330250 -></p>  	<p>TA 0401 Page 74 HIGH RISER, EXHAUSTPIPE</p> <p>(ONLY FOR MO144V38)</p> <p>04014084-0</p>  	<p>TA 0401 Page 76 HIGH RISER, EXHAUSTPIPE</p> <p>(ONLY FOR MO144M38)</p> <p>04014094-0</p>  





TABLE OF CONTENTS - SPARE PARTS CATALOGUE

144 MARINE
TURBO DIESEL
+ SOLAS

<p>TA 0503 Page 78 WATERPIPE, THERMOSTAT</p> <p>05034084-0</p>	<p>TA 0504 Page 80 WATERPUMP</p> <p>05044084-0</p>	<p>TA 0505 Page 82 DRIVE BELTS, PULLEYS, TENSIONER</p> <p>05054084-0</p>
<p>TA 0510 Page 84 RAW WATER PUMP</p> <p>05104084-0</p>	<p>TA 0512 Page 86 RAW WATER PIPES, FUEL-OIL COOLER</p> <p>05124084-0</p>	<p>TA 0601 Page 88 ALTERNATOR</p> <p>06014084-0</p> <p>TILL -> 482330249</p> <p>FROM 482330250 -></p>
<p>TA 0603 Page 90 STARTING</p> <p>06034084-0</p>	<p>TA 0605 Page 92 ENGINE HARNESS</p> <p>06054084-0</p> <p>--> 48221066</p>	<p>TA 0605 Page 94 ENGINE HARNESS</p> <p>06054084-1</p> <p>48221067 --> 48226999</p>





TABLE OF CONTENTS - SPARE PARTS CATALOGUE

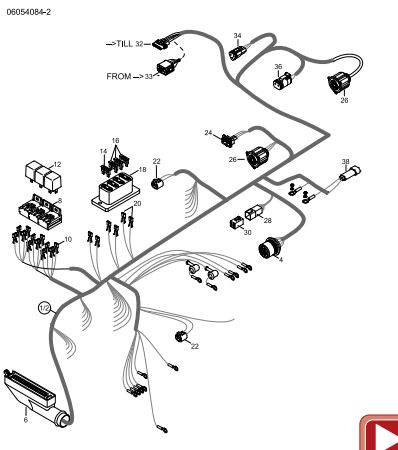
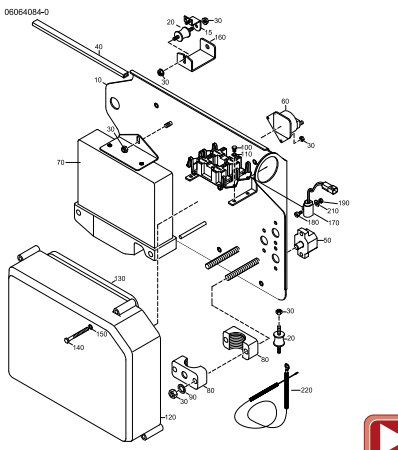
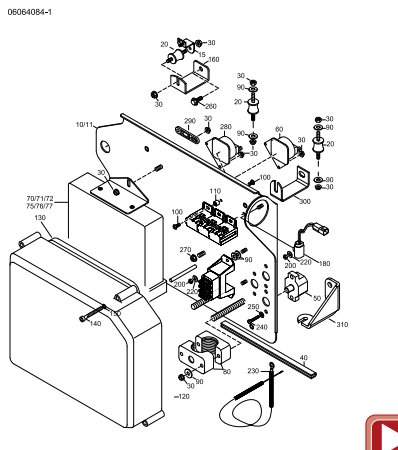
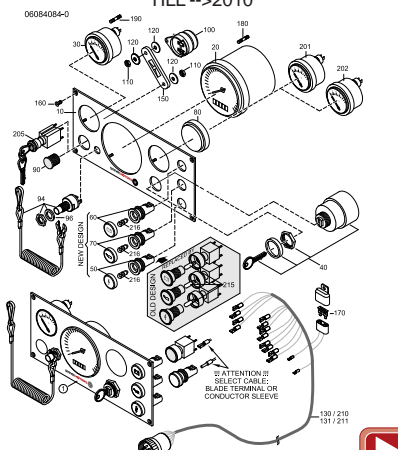
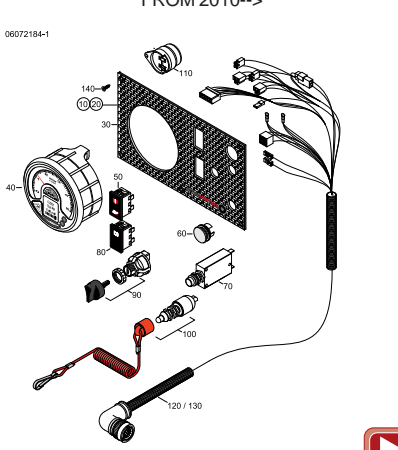
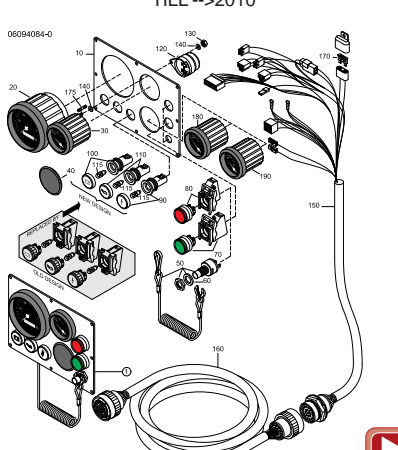
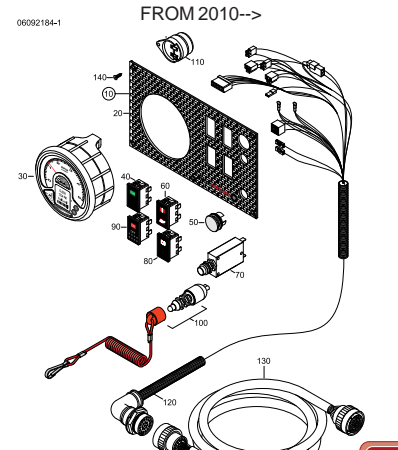
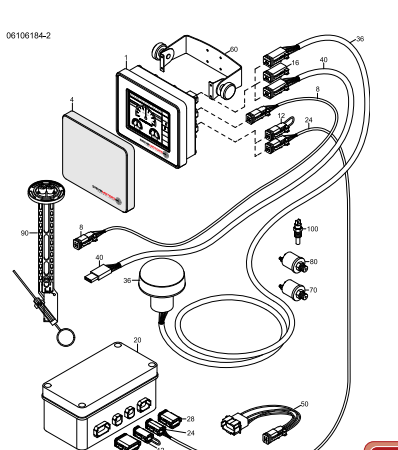
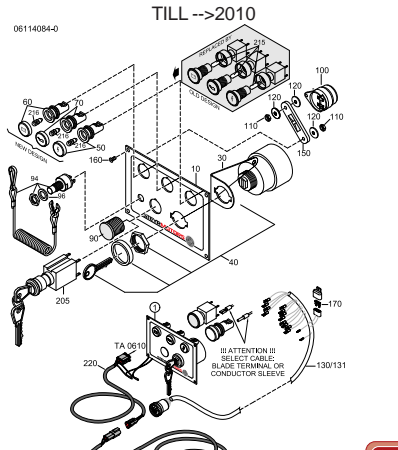
<p>TA 0605 Page 96 ENGINE HARNESS</p> <p>48227001 --></p>  <p>▶</p>	<p>TA 0606 Page 98 SECURETSYSTEM, FUSES, ECU, E-BOX</p> <p>--> 48221066</p>  <p>▶</p>	<p>TA 0606 Page 100 SECURETSYSTEM, FUSES, ECU, E-BOX</p> <p>48221067 --></p>  <p>▶</p>
<p>TA 0608 Page 104 INSTRUMENT PANEL (STANDARD)</p> <p>TILL -->2010</p>  <p>▶</p>	<p>TA 0607 Page 106 INSTRUMENT PANEL (STANDARD)</p> <p>FROM 2010--></p>  <p>▶</p>	<p>TA 0609 Page 108 INSTRUMENT PANEL SOLAS (STANDARD)</p> <p>TILL -->2010</p>  <p>▶</p>
<p>TA 0609 Page 110 INSTRUMENT PANEL SOLAS (STANDARD)</p> <p>FROM 2010--></p>  <p>▶</p>	<p>TA 0610 Page 112 DISPLAY</p> <p>06106184-2</p>  <p>▶</p>	<p>TA 0611 Page 114 SWITCH PANEL FOR DISPLAY</p> <p>TILL -->2010</p>  <p>▶</p>



TABLE OF CONTENTS - SPARE PARTS CATALOGUE

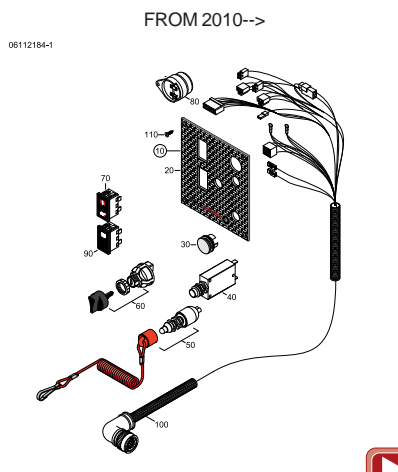

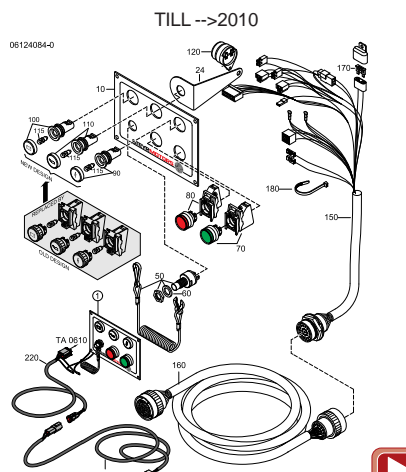

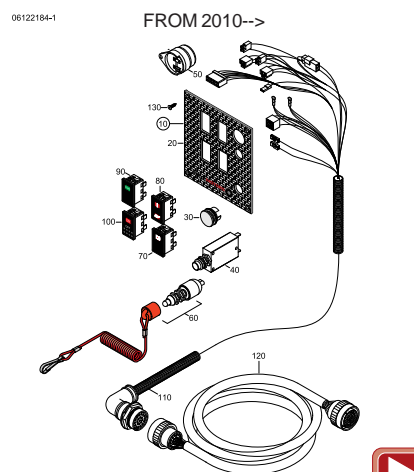

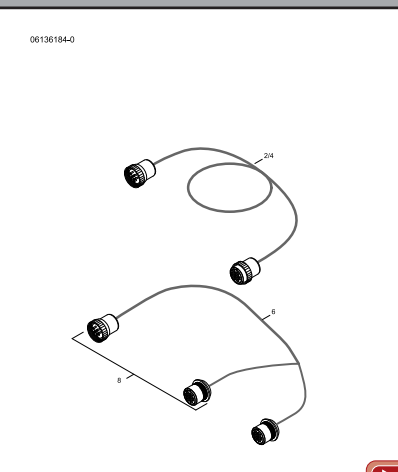

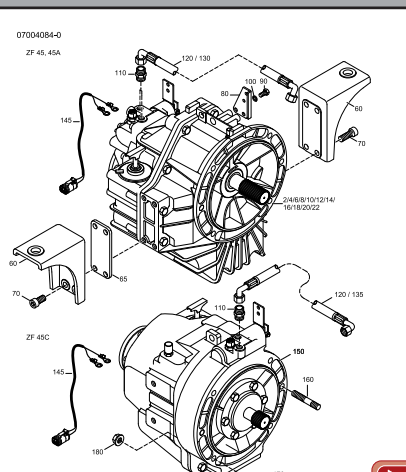

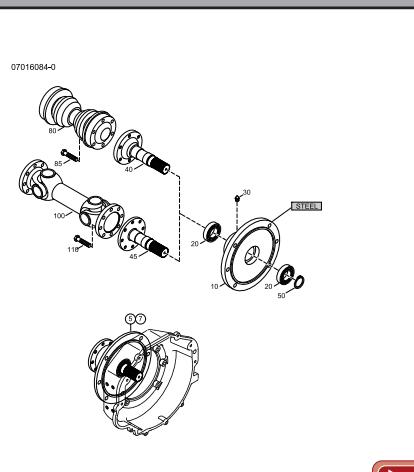

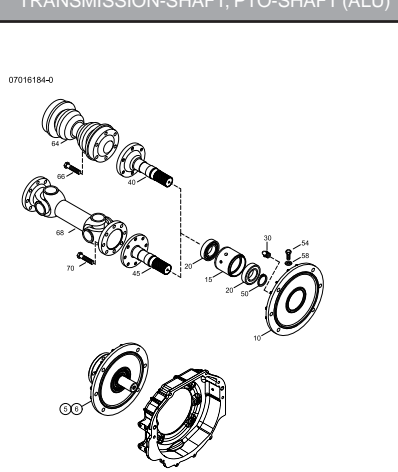

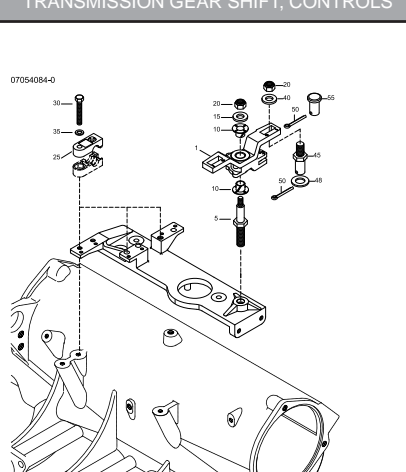

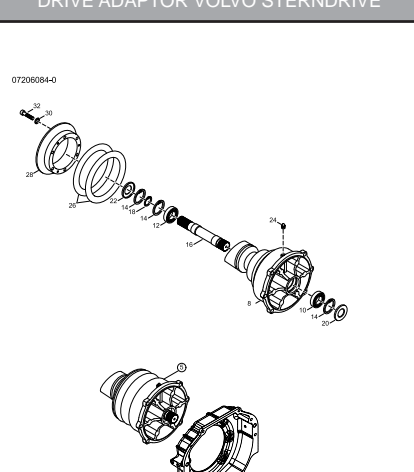

<p>TA 0611 Page 116 SWITCH PANEL FOR DISPLAY</p> <p>FROM 2010--></p> <p>06112184-1</p>  	<p>TA 0612 Page 118 PUSH BUTTON PANEL SOLAS FOR DISPLAY</p> <p>TILL -->2010</p> <p>06124084-0</p>  	<p>TA 0612 Page 120 PUSH BUTTON PANEL SOLAS FOR DISPLAY</p> <p>FROM 2010--></p> <p>06122184-1</p>  
<p>TA 0613 Page 122 EXTENSION CABLE INSTRUMENTS</p> <p>06136184-0</p>  	<p>TA 0700 Page 124 TRANSMISS., MOUNTING BRACKETS, PIPES</p> <p>07004084-0 ZF 45, 45A</p>  	<p>TA 0701 Page 126 TRANSMISSION-SHAFT, PTO-SHAFT (STEEL)</p> <p>07016084-0</p>  
<p>TA 0701 Page 128 TRANSMISSION-SHAFT, PTO-SHAFT (ALU)</p> <p>07016184-0</p>  	<p>TA 0705 Page 130 TRANSMISSION GEAR SHIFT, CONTROLS</p> <p>07054084-0</p>  	<p>TA 0720 Page 132 DRIVE ADAPTOR VOLVO STERNDRIVE</p> <p>07206084-0</p>  





TABLE OF CONTENTS - SPARE PARTS CATALOGUE

<p>TA 0730 Page 134 DRIVE SHAFT EXT. MERCURY STERNDRIVE</p>  <p>07306184-0</p> 	<p>TA 1408 Page 136 HYDRAULIC PUMP</p>  <p>14084084-0</p> 	<p>TA 1409 Page 138 HYDRAULIC PIPES</p>  <p>14094084-0</p> 
<p>TA 2207 Page 140 ENGINE PREHEATING</p>  <p>22076184-0</p> 	<p>TA 4000 Page 142 INTEGR. FLYWHEELGENERATOR (IFG)</p>  <p>40004084-0</p> 	<p>TA 4009 Page 144 PUSH BUTTON PANEL „IFG“</p> <p>TILL -->2010</p>  <p>40096184-0</p> 
<p>TA 4009 Page 146 PUSH BUTTON PANEL „IFG“</p> <p>FROM 2010--></p>  <p>40096184-1</p> 	<p>TA 4100 Page 148 HYBRID</p>  <p>41006184-0</p> 	<p>TA 6012 Page 150 HEATING UNIT, CIRCULATION PUMP</p>  <p>60124084-0</p> 





TABLE OF CONTENTS - SPARE PARTS CATALOGUE

144 MARINE
TURBO DIESEL
+ SOLAS



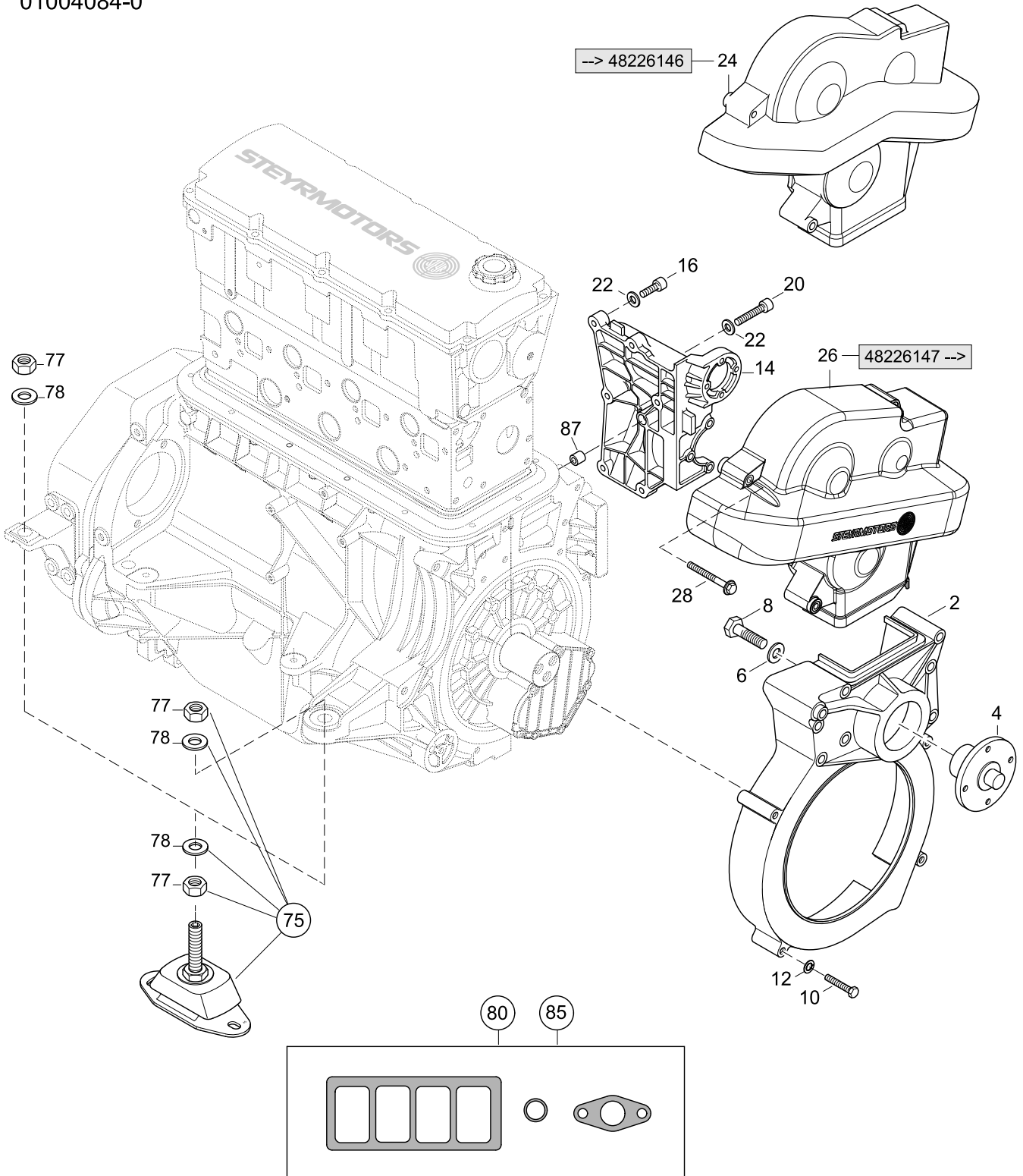


TA 0100

144 MARINE
TURBO DIESEL
+ SOLAS

MOUNT BRACKET, LIFTING EYE, GASKET SET

01004084-0





MOUNT BRACKET, LIFTING EYE, GASKET SET

144 MARINE
TURBO DIESEL
+ SOLAS

01004084-0

Pos.	Part.-No.	Qty	Designation	Step
2	Z002406-0	1	COVER T-BELT ASSY, LOWER WITH BEARING (PAINTED)	.2
4	2203516-2	1	BEARING SHAFT	.2
6	2203563-0	1	SUPPORT WASHER, BEARING SHAFT	.2
8	3802515-0	1	HEX.HD.SCR. ISO 4017-M10x20-8.8-A3C	.2
10	9000289-0	11	HEX.HD.BOLT ISO 4014-M6x65-8.8-A2C	.2
12	3930070-0	11	WASHER DIN 125-6-140HV-A2	.2
14	Z002428-0	1	BRACKET, ENGINE MOUNT (PAINTED (PAINTED)	.2
16	9000045-0	4	HEX.SOCK. HD.CAP SCR. DIN 912-M8x40-8.8-DAC A500	.2
20	3862466-0	3	HEX.SOCK. HD.CAP SCR. DIN 912-M8x65-8.8-A2C	.2
22	3930103-0	7	WASHER DIN 125-8.4-140HV-A2	.2
24	Z002676-0	1	SPARE PART COVER T-BELT	.2
26	2203711-1	1	COVER T-BELT, UPPER PART	.2
28	9000538-0	3	HEX.FLANGE BOLT EN 1665-M6x50 A2-70	.2
75	2203804-5	4	ENGINE MOUNT ASSY 55SH	.2
77	9000442-0	2	HEX.NUT ISO 8673-M18x1,5-8-A-DAC	.3
78	9000441-0	2	LOCKWASHER 19,5x34,5	.3
80	Z002409-0	1	SEAL KIT_4 CYL. MARINE ENGINE	.2
85	Z002409-6	1	SEAL KIT 4 CYL. MARINE ENGINE WO. FRAME SEAL	.2
87	2203543-0	2	FITTING SLEEVE	.2



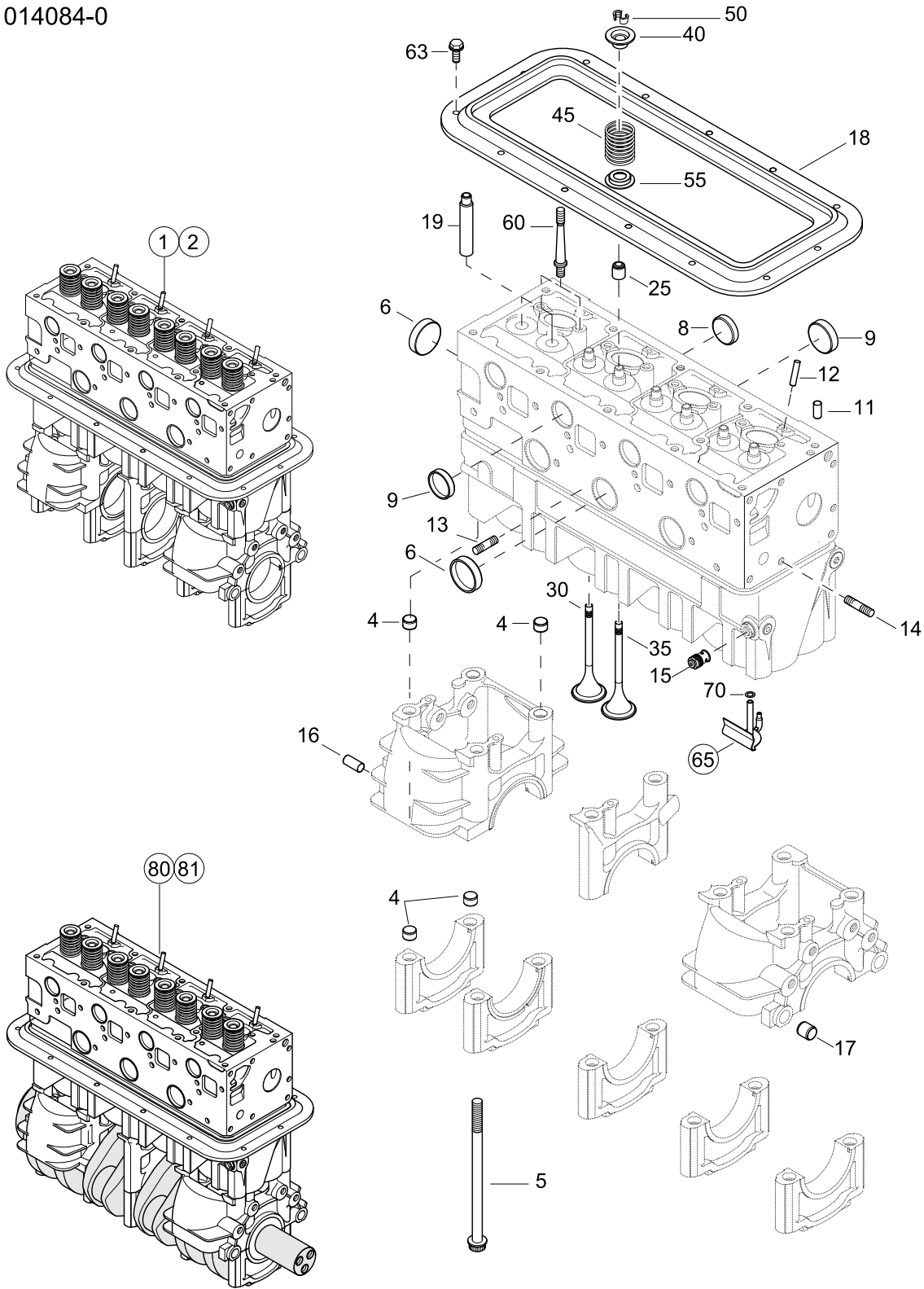


TA 0101

144 MARINE
TURBO DIESEL
+ SOLAS

CRANKCASE

01014084-0





CRANKCASE	144 MARINE TURBO DIESEL + SOLAS
------------------	---

01014084-0

Pos.	Part.-No.	Qty	Designation	Step
1	MZ40084-0	1	CYLINDER BLOCK ASSY. MARINE (INCL. VALVES) —>48227163	.2
2	MZ40084-1	1	CYLINDER BLOCK ASSY. MARINE (INCL. VALVES) 48227164—>	.2
4	2172799-0	16	FITTING SLEEVE DM14.5 (TOM12)	.3
5	2174329-0	10	BOLT, MAIN BEARING	.3
6	2170309-0	4	CORE HOLE PLUG 40/8	.3
8	2172676-0	2	CORE HOLE PLUG 35/8	.3
9	2172170-0	3	CORE HOLE PLUG 28/7	.3
11	3901416-0	2	PARALLEL PIN ISO 2338-8m6x16-ST	.3
12	3901328-0	4	PARALLEL PIN ISO 2338-6m6x30-ST	.3
13	9000327-0	2	STUD DIN 939-M6x20-8.8-A2C	.3
14	3812435-0	1	STUD DIN 938-M8x35-8.8-A3C	.3
15	2178525-1	1	COOLING OIL VALVE ASSY.	.3
16	3901509-0	2	PARALLEL PIN ISO 2338-10m6x20-ST	.3
17	2170298-0	2	FITTING SLEEVE DM12.5 (TOM10)	.3
18	2040217-0	1	FRAME SEAL	.3
19	2172133-N	8	VALVE GUIDE	.3
25	2172096-1	8	VALVE STEM SEAL	.3
30	2177577-1	4	EXHAUST VALVE	.3
35	2177576-6	4	INTAKE VALVE	.3
40	2177349-0	8	VALVE-SPRING RETAINER	.3
45	2172362-0	8	VALVE SPRING	.3
50	2170171-0	16	VALVE COLLET	.3
55	2177415-0	8	VALVE SPRING WASHER	.3
60	2174321-1	8	STUD UNIT INJECTOR	.2
63	9000287-0	13	HEX.FLANGE BOLT EN 1665-M6x12-8.8	.2
65	2178478-0	4	SPRAYING NOZZLE ASSY	.2
70	2173533-0	4	O-RING 5,23 x 2,62	.3
80	MT40084-0	1	PARTIAL ENGINE (BLOCK, PISTON, CR.S. & VALVES) —>48227163	.2
81	MT40084-1	1	PARTIAL ENGINE (BLOCK, PISTON, CR.S. & VALVES) 48227164—>	.2



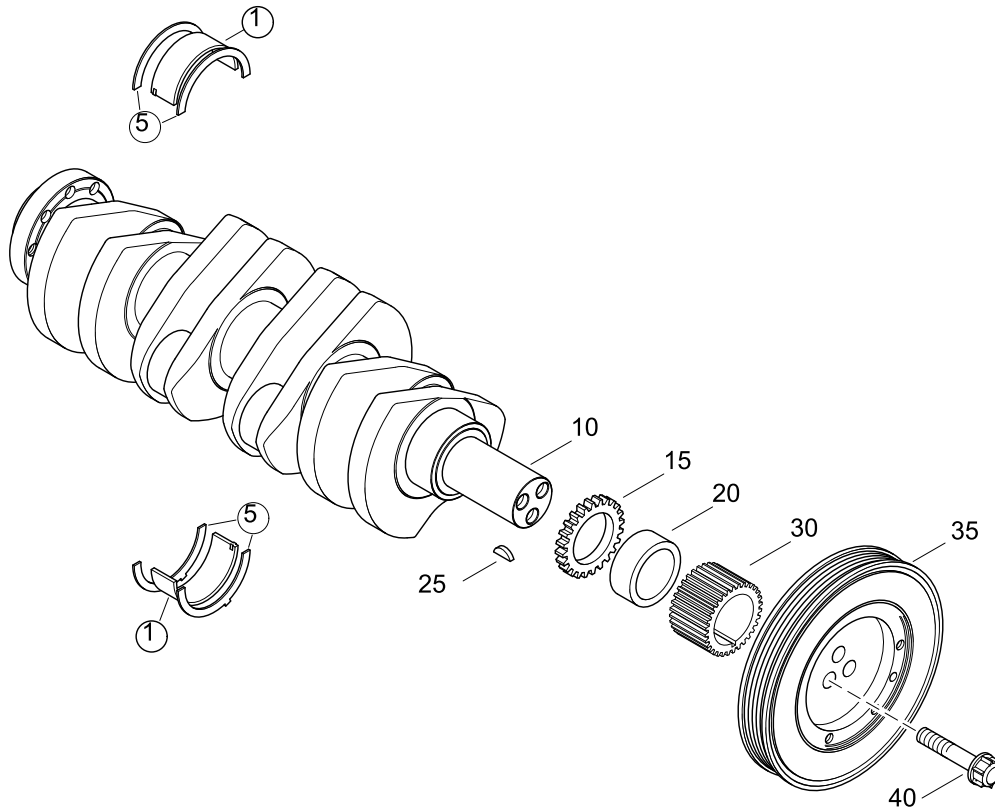


TA 0102

144 MARINE
TURBO DIESEL
+ SOLAS

CRANKSHAFT, BEARING, DAMPER

01024084-0



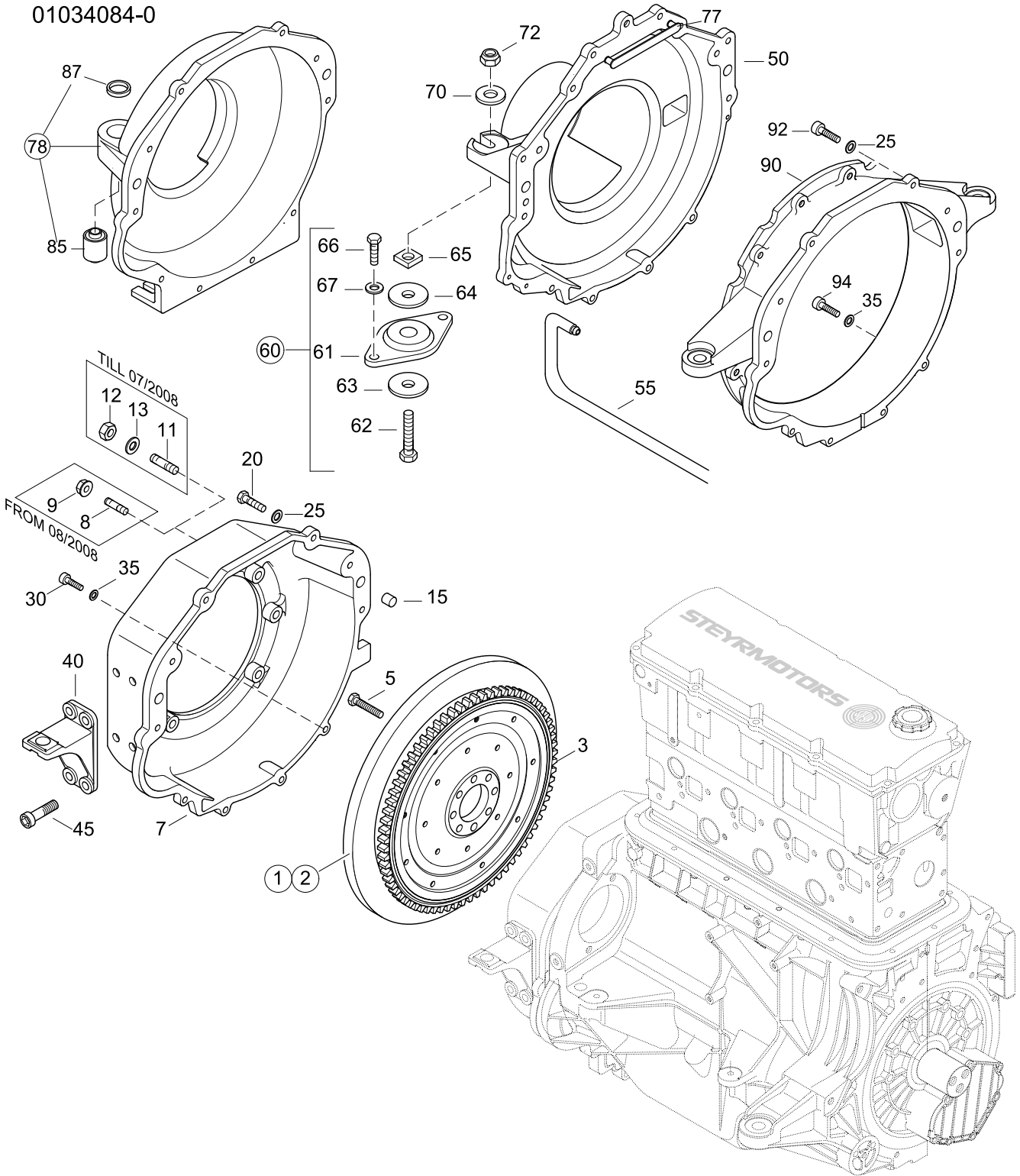


TA 0103

144 MARINE
TURBO DIESEL
+ SOLAS

FLYWHEEL, FLYWHEELHOUSING

01034084-0





FLYWHEEL, FLYWHEELHOUSING

144 MARINE
TURBO DIESEL
+ SOLAS

01034084-0

Pos.	Part.-No.	Qty	Designation	Step
1	2203739-1	1	FLYWHEEL ASSY. - DM56 —>48225999	.2
2	2203739-2	1	FLYWHEEL ASSY. - DM40 48226001—>	.2
3	2205031-0	1	STARTER RING GEAR, FLYWHEEL	..3
5	2174592-0	8	HEX. HEAD SCREW M10x30-12.9	.2
7	Z002165-0	1	SPARE FLYWHEEL HOUSING B/W FLANGE PAINTED	.2
8	9000371-0	6	STUD DIN 835-M10x25-8.8-A3C	.2
9	9000042-1	6	HEX.FLANGE NUT DIN 6923-M10-8-A3C	.2
11	9000082-0	6	STUD DIN 835-M12x25-8.8-A3C	.2
12	3871319-0	6	HEX.NUT ISO 4032-M12-8-A3C	.2
13	3930282-0	6	WASHER DIN 125-A13-140HV-A3C	.2
15	3900184-0	2	SPRING PIN, SLIGHT TYPE DIN 7346-16x22	.2
20	3862545-0	5	HEX.SOCK. HD.CAP SCR. DIN 912-M10x35-A2-70	.2
25	3930075-0	5	WASHER DIN 125 A10.5-140HV-A2	.2
30	3862433-0	4	HEX.SOCK. HD.CAP SCR. DIN 912-M8x30-A2-70	.2
35	3930103-0	4	WASHER DIN 125-8.4-140HV-A2	.2
40	2178722-1	2	BRACKET FLYWHEEL HOUSING	.2
45	9000081-0	8	HEX.SOCK.HD.CAP SCR. DIN 912-M12x35-8.8-A3C	.2
50	2203733-9	1	FLYWHEEL HOUSING OMC/VOLVO SX PAINTED	.2
55	O913787-0	1	HOSE-FLYWHEEL HOUSING	.2
60	O986712-0	1	SMALL PARTS REAR MOUNTS	.2
61	O983932-0	2	REAR MOUNT ASSY	..3
62	O318573-0	2	BOLT, REAR MOUNT	..3
63	O911780-0	2	WASHER-REAR MOUNT-LOWER	..3
64	O912889-0	2	WASHER REAR MOUNT	..3
65	O911776-0	2	SQUARE NUT-REAR MOUNT	..3
66	O309484-0	4	HEX. SCREW 3/8-16UNCx1-1/4"	..3
67	O319453-0	4	WASHER	..3
70	O911778-0	2	WASHER, REAR MOUNT	.2
72	O313623-0	2	LOCK NUT, REAR MOUNT	.2
77	2178504-0	2	COVER	.2



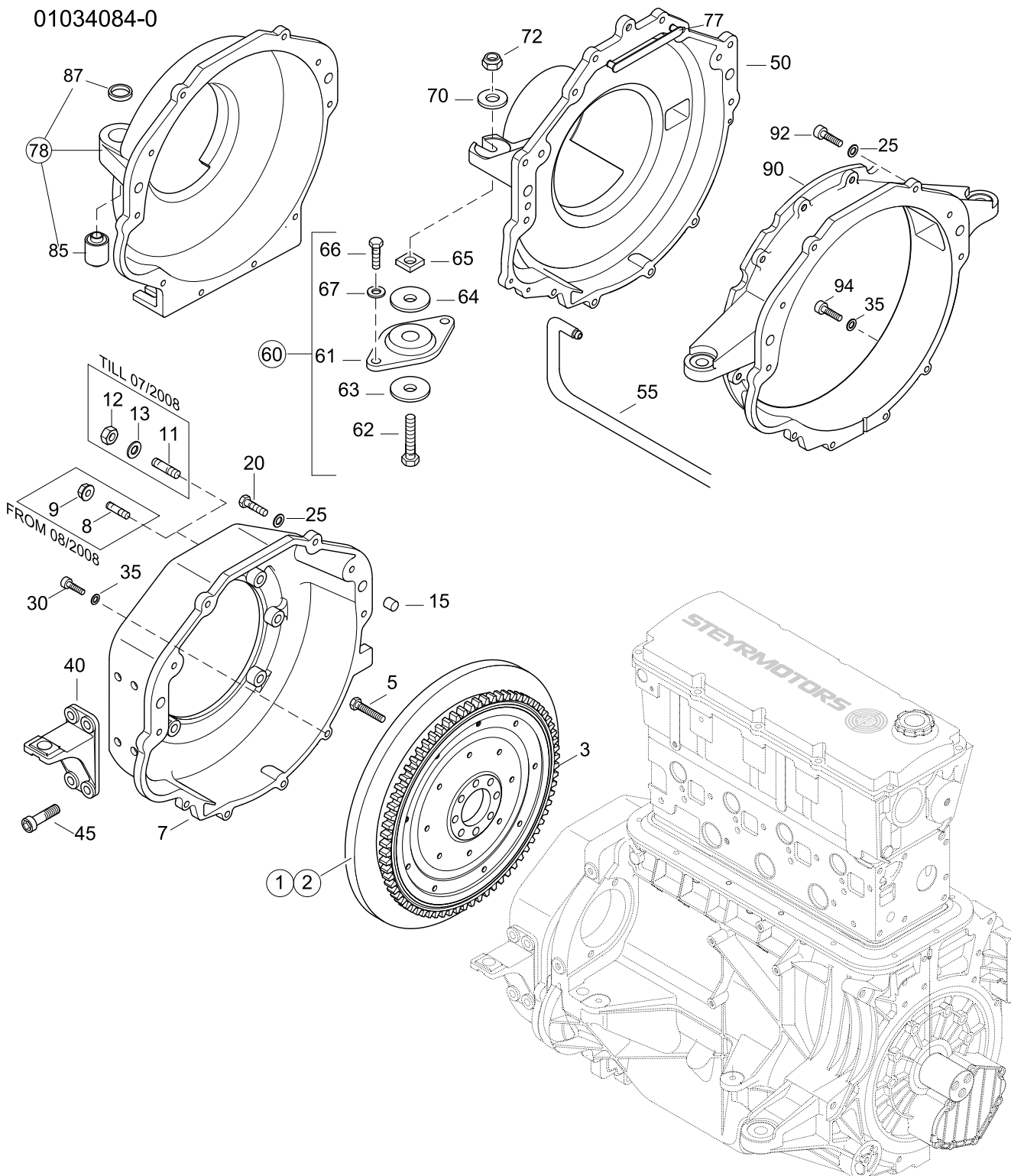


TA 0103

144 MARINE
TURBO DIESEL
+ SOLAS

FLYWHEEL, FLYWHEELHOUSING

01034084-0



FLYWHEEL, FLYWHEELHOUSING

144 MARINE
 TURBO DIESEL
 + **SOLAS**

01034084-0

Pos.	Part.-No.	Qty	Designation	Step
78	2178833-M	1	HOUSING FLYWHEEL MERCURY ASSY PAINTED	.2
85	2178876-2	2	SINENT BLOCK F. FLY WHEEL HOUS ING ASYMMETRIC L=44,7	.3
87	2178877-0	2	WASHER-REAR MOUNT-LOWER	.3
90	2178052-9	1	HOUSING FLYWHEEL SAE 4 PAINTED	.2
92	3860149-0	5	HEX.SOCK. HD.CAP SCR. DIN 912-M10x40-8.8-A3C	.2
94	9000064-0	4	HEX.SOCK. HD.CAP SCR. DIN 912-M8x35-8.8-A3C	.2



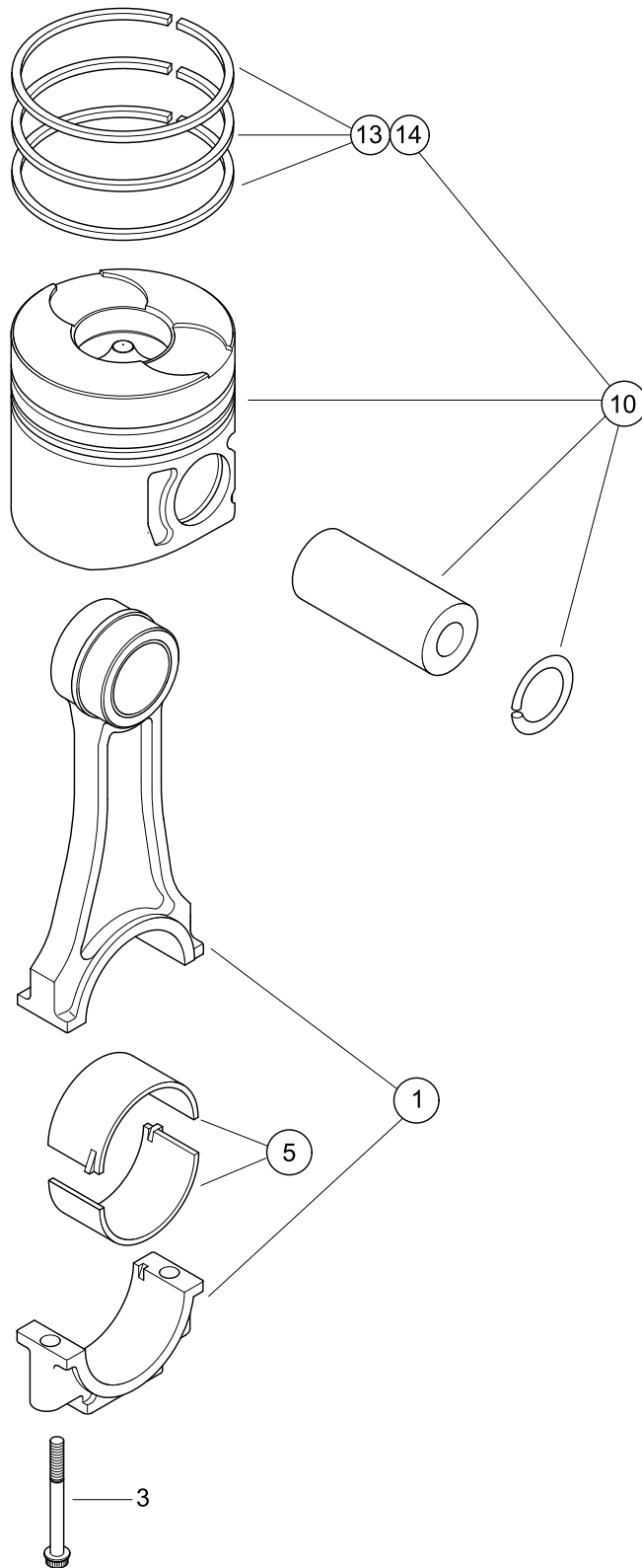


TA 0104

144 MARINE
TURBO DIESEL
+ SOLAS

PISTON, RINGS AND PIN, CONNECTION ROD

01044084-0





PISTON, RINGS AND PIN, CONNECTION ROD	144 MARINE <small>TURBO DIESEL</small> + SOLAS
--	--

01044084-0

Pos.	Part.-No.	Qty	Designation	Step
1	2178675-0	4	CONNECTING ROD ASSY.	.2
3	2178532-0	2	CONROD SCREW	.3
5	Z002055-1	4	BEARING ASSY. CONNECTING ROD	.2
10	Z002142-0	4	PISTON ASSY.	.2
13	Z002060-0	1	PISTON RING KIT (1 PER PISTON) —>48226118	.3
14	Z002060-2	1	PISTON RING KIT (1 PER PISTON) 48226119—>	.3



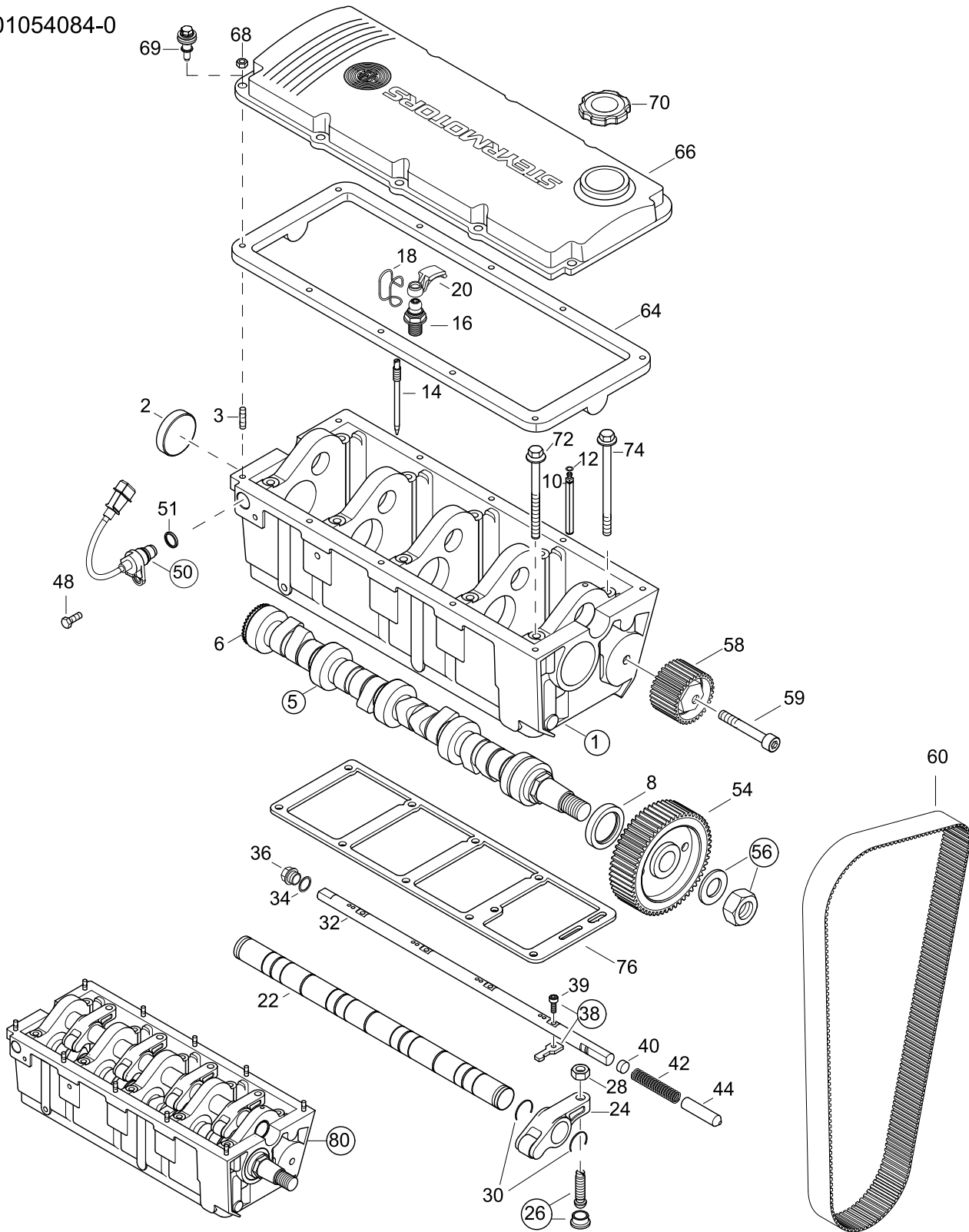


TA 0105

144 MARINE
TURBO DIESEL
+ SOLAS

CAMSHAFT, HOUSING

01054084-0



CAMSHAFT, HOUSING

144 MARINE
TURBO DIESEL
+ SOLAS

01054084-0

Pos.	Part.-No.	Qty	Designation	Step
1	Z002407-0	1	CAMSHAFT HOUSING ASSY. (PAINTED)	.2
2	2178083-0	1	CORE HOLE PLUG 50-7	..3
3	2309101-0	10	STUD DIN 835-M6x25-A2-70 —>482300551	..3
5	2203267-6	1	CAMSHAFT ASSY.	.2
6	2203280-1	1	SENSOR DISK	..3
8	2172086-1	1	ROTARY SHAFT SEAL	.2
10	2178486-1	1	AXLE SUPPORT	.2
12	2178498-0	1	QUAD RING 1,78 x 5,28	.2
14	2177513-2	1	GUIDE PIN CONTROL RACK	.2
16	2174546-2	8	VALVE TAPPET ADJ. SCREW ASSY.	.2
18	2174552-0	8	RETAINING SPRING	.2
20	2177139-1	8	CAM FOLLOWER ASSY.	.2
22	2173694-1	1	ROCKER ARM SHAFT ASSY.	.2
24	Z002094-0	4	ROCKER ARM ASSY. (SPARE PART)	.2
26	Z002010-0	4	TAPPET ADJUSTER ASSY.	.2
28	3871310-0	4	HEX.NUT DIN 934-M10x1-8	.2
30	2174036-0	8	CRESCENT RING 28x1,5	.2
32	2203289-0	1	CONTROL ROD	.2
34	3098031-0	1	SEALING RING DIN 7603-A26x31-CU	.2
36	3962043-0	1	HEX.HD.SCR.PLUG DIN 7604-C-M26x1.5-ST-A3C	.2
38	Z002009-0	4	CONTROL LINK & BOLT	.2
39	3860140-0	1	HEX.SOCK.HD.CAP SCR. DIN 912-M5x20-LH-10.9	..3
40	2203337-0	1	SPACER	.2
42	2203338-0	1	SPRING, CONTROL ROD	.2
44	2203460-0	1	BOLT	.2
48	3800238-0	1	HEX.HD.SCR. ISO 4017-M6x12-A2-70	.2
50	2176734-2	1	REVOLUTION SENSOR	.2
51	2176729-0	1	O-RING 17,17 x 1,78	..3
54	2177642-0	1	TIMING BELT PULLEY CAMSHAFT	.2
56	Z002011-0	1	NUT & WASHER, CAMSHAFT PULLEY	.2
58	2178548-5	1	IDLER PULLEY ASSY.	.2



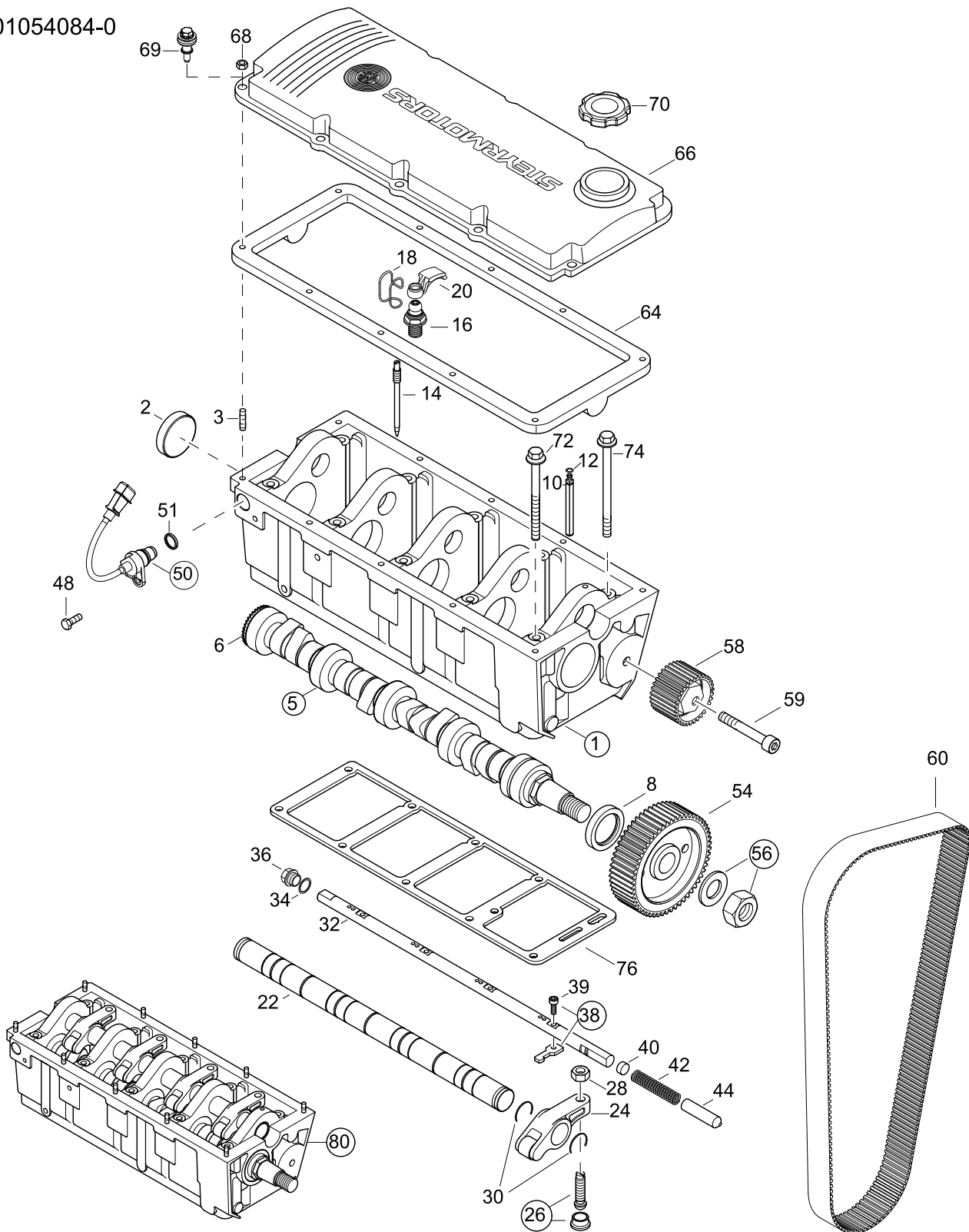


TA 0105

144 MARINE
TURBO DIESEL
+ SOLAS

CAMSHAFT, HOUSING

01054084-0



CAMSHAFT, HOUSING	144 MARINE TURBO DIESEL + SOLAS
--------------------------	---

01054084-0

Pos.	Part.-No.	Qty	Designation	Step
59	3860155-0	1	HEX.SOCK. HD.CAP SCR. DIN 912-M10x70-10.9-DAC A500	.2
60	2178073-1	1	TIMING BELT	.2
64	2040184-0	1	VALVE-COVER GASKET	.2
66	2203725-9	1	VALVE COVER, SILVER	.2
68	3880049-0	10	HEX.FLANGE NUT DIN 6923-M6-A2-70 —>482300551	.2
69	2040575-0	10	SCREW, COVER ACOUSTIC DECOUPLED 482300552—>	.2
70	2203509-0	1	FILLER CAP ENGINE OIL	.2
72	9000248-1	5	HEX.FLANGE BOLT EN 1665-M8x110-10.9-A2C	.2
74	9000249-1	5	HEX.FLANGE BOLT EN 1665-M8x130-10.9-A2C	.2
76	2203390-3	1	SEAL CAMSHAFT HSG - CYL.BLOCK	.2
80	Z002407-1	1	PART. CAMSHAFT HSG POS. 1 - 44 (PAINTED)	.2





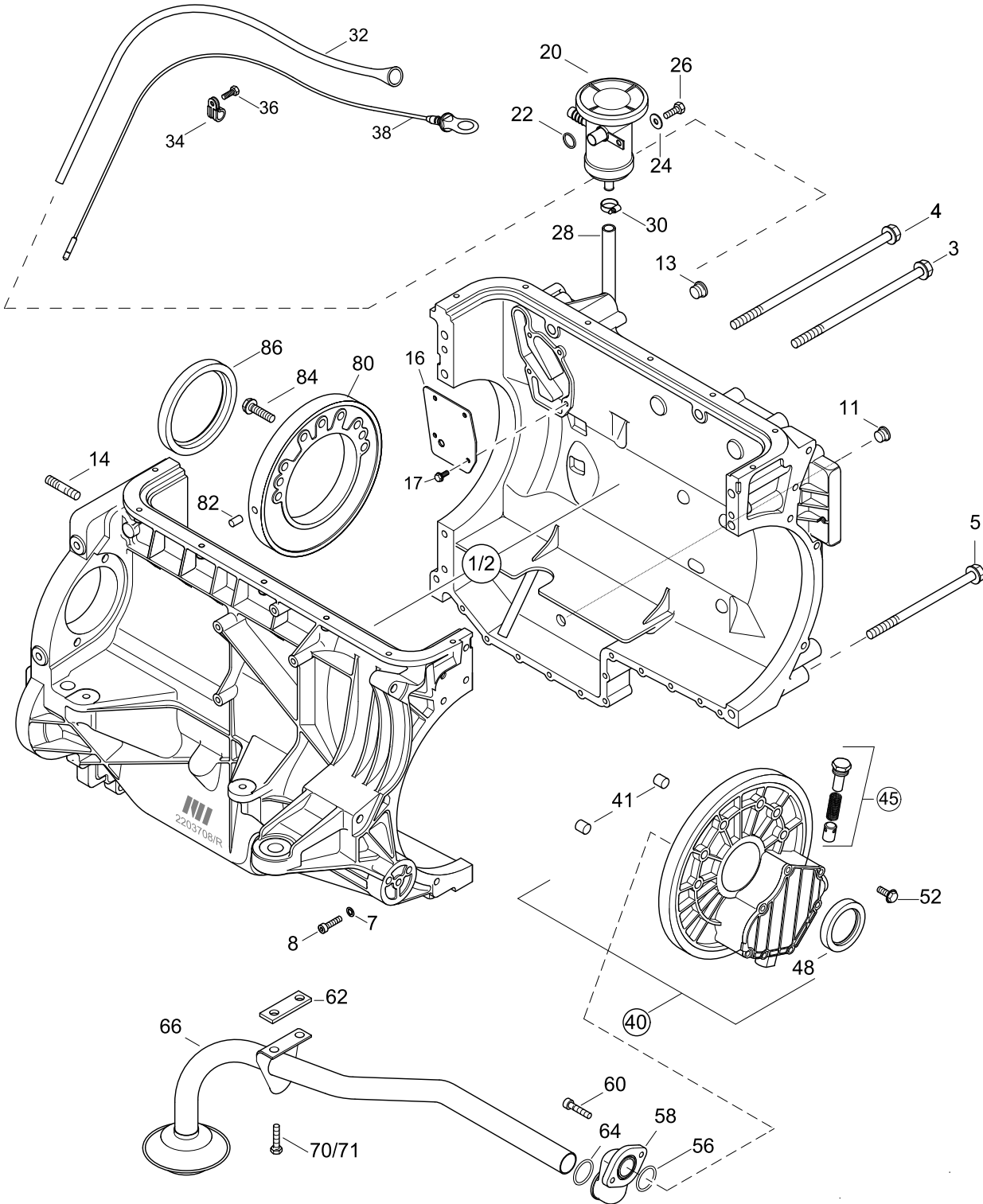
TA 0106



144 MARINE
TURBO DIESEL
+ SOLAS

OILPUMP, OILPIPE, OILPAN

01064084-0





OILPUMP, OILPIPE, OILPAN

144 MARINE
TURBO DIESEL
+ SOLAS

01064084-0

Pos.	Part.-No.	Qty	Designation	Step
1	Z002424-0	1	ENGINE HSG ASSY. (W. PIPE OIL DIPSTICK) —>482330249	.2
2	Z024014-0	1	ENGINE HSG ASSY. (W. PIPE OIL DIPSTICK) 482330250—>	.2
3	9000464-0	2	HEX.FLANGE BOLT EN 1665-M10x200-8.8-A3C	.3
4	9000463-0	2	HEX.FLANGE BOLT EN 1665-M10x250-8.8-A3C	.3
5	9000392-0	3	HEX.FLANGE BOLT EN 1665-M10x160-8.8-A3C	.3
7	3932008-0	11	SPRING WASHER DIN 137-B6-FST-A3C	.3
8	3862352-0	11	HEX.SOCK. HD.CAP SCR. ISO 4762-M6x50-8.8-A2C	.3
11	9000588-0	1	HEX.SOCK.SCR.PLUG WITH RUBBER SEAL M16x1,5	.3
13	9000590-0	1	HEX.SOCK.SCR.PLUG WITH RUBBER SEAL M22x1,5	.3
14	9000000-0	1	STUD DIN 939-M8x25-A2-70	.3
16	2203738-0	1	COVER PRE OIL SEPARATOR	.3
17	9000287-0	4	HEX.FLANGE BOLT EN 1665-M6x12-8.8-A3C	.3
20	Z002051-0	1	OIL SEPARATOR	.2
22	2178310-1	1	O-RING 17x3,53	.2
24	9000012-0	1	WASHER LARGE SERIES ISO 7093-6.4-140HV-A2	.2
26	3800221-0	1	HEX.HD.SCR. ISO 4017-M6x20-A2-70	.2
28	2178287-0	1	HOSE, OIL DRAIN	.2
30	2174405-0	2	HOSE CLAMP 10-16/7,5	.2
32	2203757-0	1	PIPE OIL-DIPSTICK	.2
34	2178566-0	1	PIPE CLAMP RSGU1.15/15-W5	.2
36	3800233-0	1	HEX.HD.SCR. ISO 4017-M6x16-A2-70	.2
38	2203751-0	1	OIL DIP STICK ASSY	.2
40	Z002429-0	1	OIL PUMP ASSY. (PAINTED)	.2
41	2170298-0	2	FITTING SLEEVE	.3
45	Z002005-6	1	RELIEF VALVE, OIL PUMP 4 CYL.	.3
48	2170276-1	1	ROTARY SHAFT SEAL	.3
52	9000278-0	6	HEX.FLANGE BOLT EN 1665-M8x35-8.8-A2C	.2
56	2040153-0	1	O-RING 25.12x1.78	.2
58	2040004-Z	1	OIL SUCTION MANIFOLD	.2
60	3862320-0	2	HEX.SOCK. HD.CAP SCR. ISO 4762-M6x20-8.8-A2C	.2
62	2203513-1	1	SPACER, PIPE OIL SUCTION —>48223068	.2



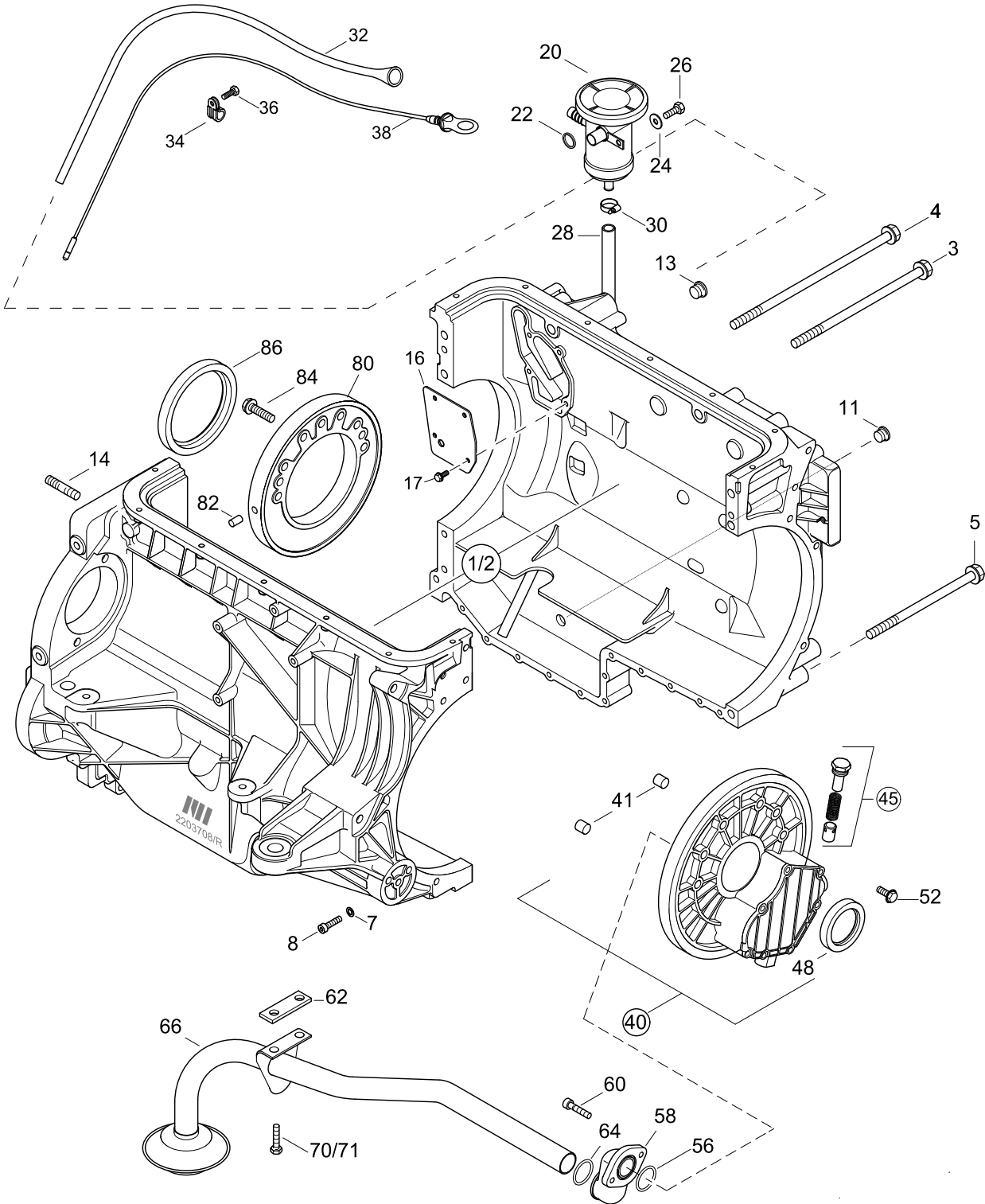


TA 0106

144 MARINE
TURBO DIESEL
+ SOLAS

OILPUMP, OILPIPE, OILPAN

01064084-0



OILPUMP, OILPIPE, OILPAN	144 MARINE TURBO DIESEL + SOLAS
---------------------------------	---

01064084-0

Pos.	Part.-No.	Qty	Designation	Step
64	2173705-1	1	O-RING 21,82x3,53	.2
66	2203718-1	1	PIPE OIL SUCTION	.2
70	3802321-0	2	HEX.HD.SCR. ISO 4017-M6x16-8.8-A2C —>48223068	.2
71	9000287-0	2	HEX.FLANGE BOLT EN 1665-M6x12-8.8-A3C 48233069—>	.2
80	2172855-1	1	SUPPORT RING, REAR	.2
82	3901416-0	1	PARALLEL PIN ISO 2338-8m6x16-ST	.2
84	9000278-0	7	HEX.FLANGE BOLT EN 1665-M8x35-8.8-A2C	.2
86	2172289-1	1	ROTARY SHAFT SEAL	.2



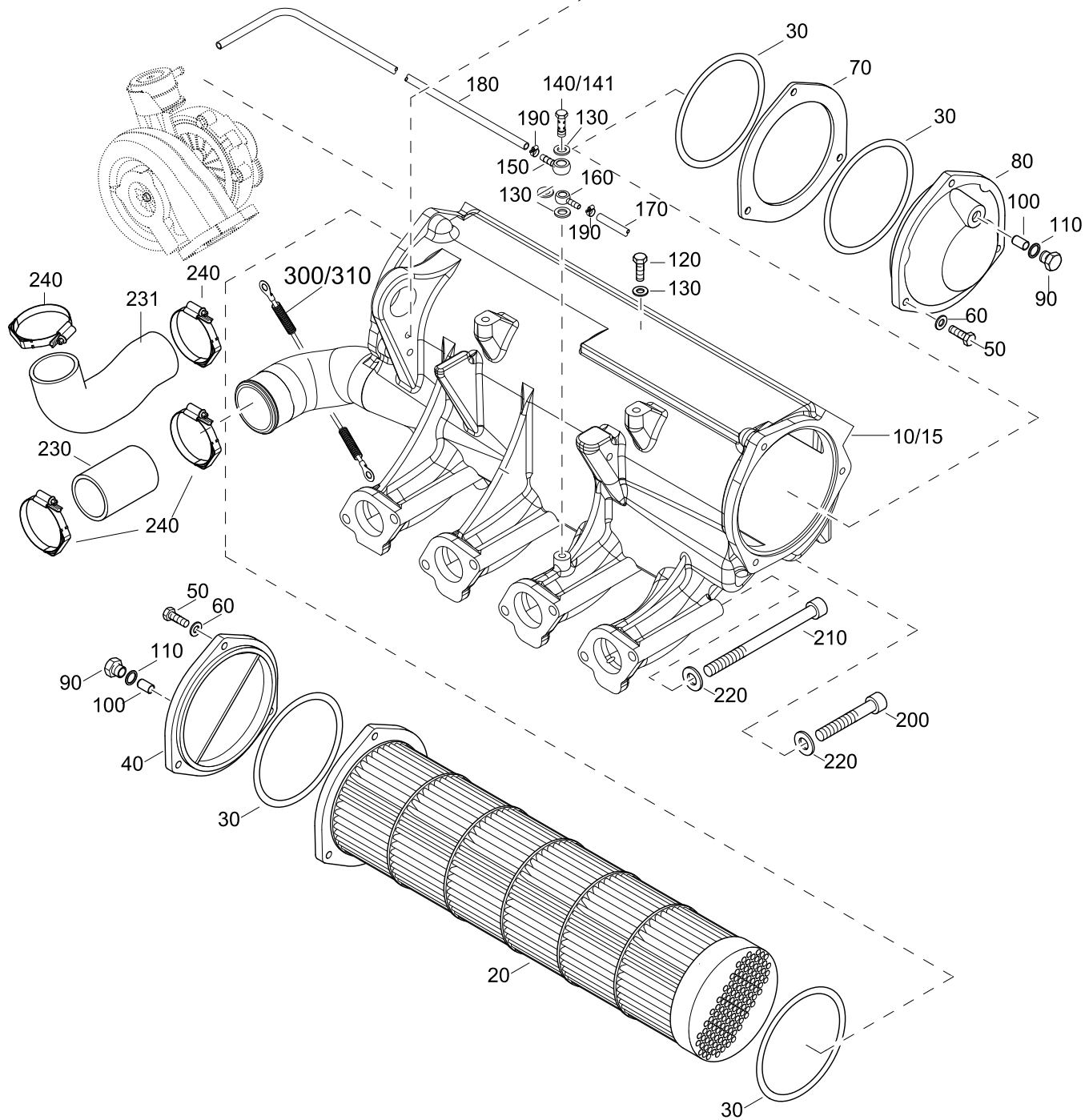
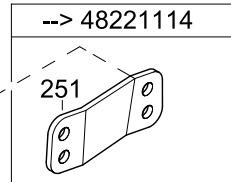
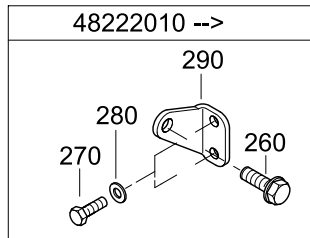
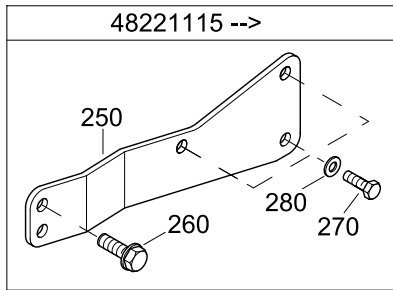


TA 0108

144 MARINE
TURBO DIESEL
+ SOLAS

INTERCOOLER

01084084-0



INTERCOOLER	144 MARINE TURBO DIESEL + SOLAS
--------------------	---

01084084-0

Pos.	Part.-No.	Qty	Designation	Step
10	2203706-9	1	INTAKE MANIFOLD, PAINTED —>482330249	.2
15	Z024015-0	1	INTAKE MANIFOLD, PAINTED 482330250—>	.2
20	2177593-1	1	INTERCOOLER	.2
30	2178483-0	4	O-RING 120,24 x 3,53	.2
40	2178415-8	1	COVER INTERCOOLER REAR, PAINTED	.2
50	9000064-0	6	HEX.SOCK. HD.CAP SCR. ISO 4762-M8x35-8.8-A3C	.2
60	3930261-0	6	WASHER ISO 7089-A8.4-140HV-A3C	.2
70	2174270-0	1	SPACER, INTERCOOLER	.2
80	2174261-9	1	COVER INTERCOOLER FRONT, PAINTED	.2
90	2178412-1	2	PLUG M18x1.5	.2
100	2178413-1	2	ZINC ANODE	.2
110	3098020-0	2	SEALING RING DIN 7603-A18x22-CU	.2
120	3802411-0	2	HEX.HD.SCR. ISO 4017-M8x16 A4-70	.2
130	3098009-0	4	SEALING RING DIN 7603-A8x14-CU	.2
140	2203794-0	1	DUO HOLLOW SCREW M8x1	.2
141	11869	1	HOLLOW SCREW M8x1 DIN 7643-4-3-A3C	.2
150	2203795-0	1	BANJO FITTING (ONLY FOR MO144M38)	.2
160	2203796-0	1	BANJO NUT DM8	.2
170	2203665-1	1	HOSE	.2
180	2178552-2	1	HOSE	.2
190	2178893-0	2	HOSE CLAMP 8-12-7,5	.2
200	3862447-0	4	HEX.SOCK. HD.CAP SCR. ISO 4762-M8x45-8.8-A2C	.2
210	9000312-0	4	HEX.SOCK. HD.CAP SCR. ISO 4762-M8x120-8.8-A2C	.2
220	3930261-0	8	WASHER ISO 7089-A8.4-140HV-A3C	.2
230	2203773-0	1	HOSE, TURBO CHARGER	.2
231	2203830-0	1	CHARGE AIR HOSE (ONLY FOR MO144M38)	.2
240	2179050-0	2	HOSE CLAMP WITH SPRING 40-60/9	.2
250	2203789-1	1	SHACKLE 48221115—>	.2
251	2203789-0	1	SHACKLE —>48221114	.2
260	9000271-0	3	HEX.FLANGE BOLT EN 1665-M8x25-10.9-DAC	.2
270	3800233-0	5	HEX.HD.SCR. ISO 4017-M6x16-A2-70	.2



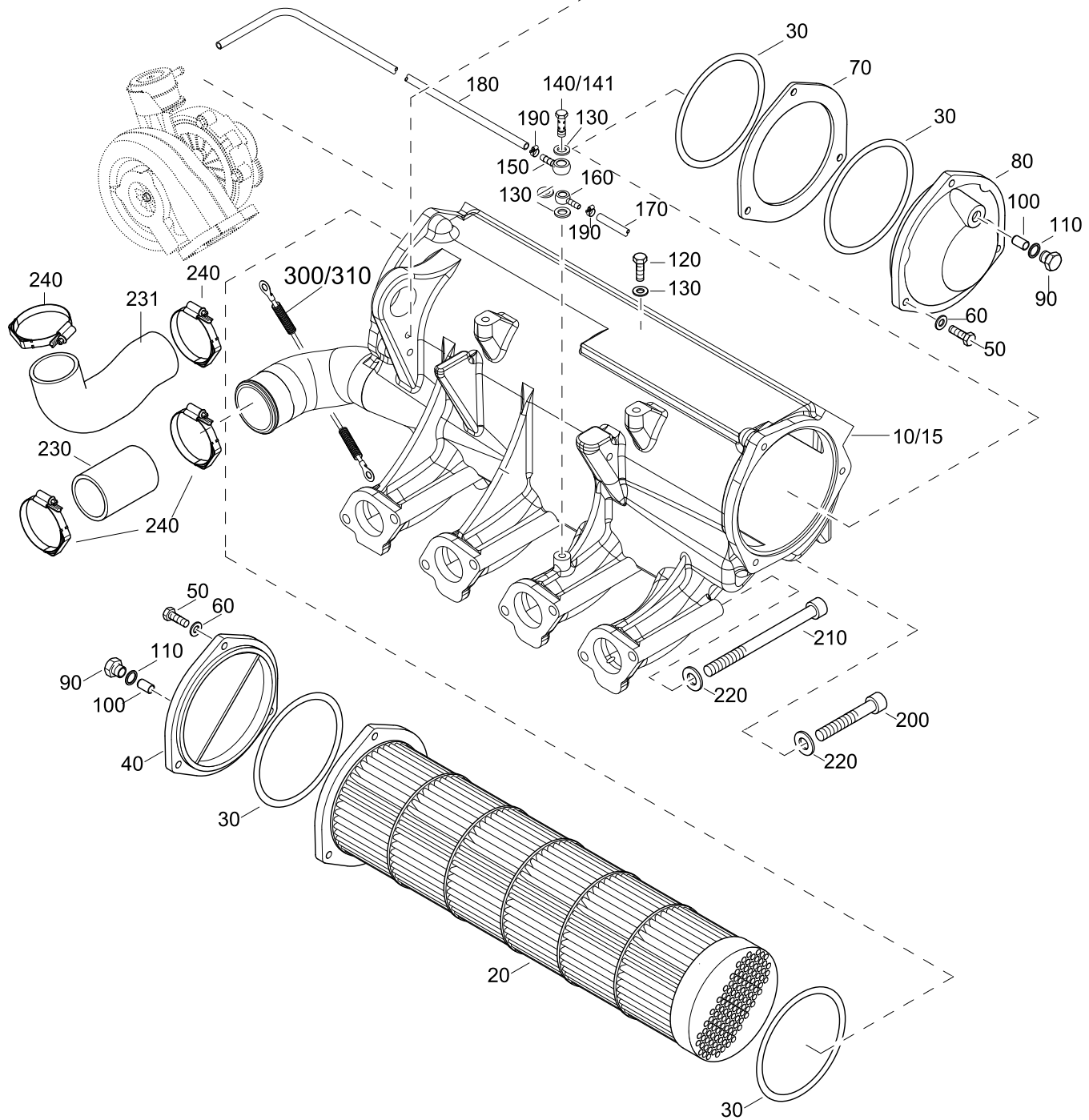
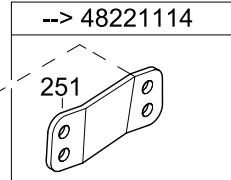
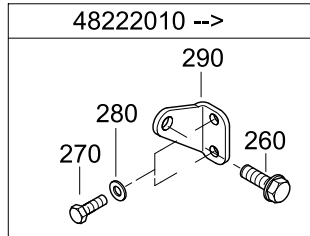
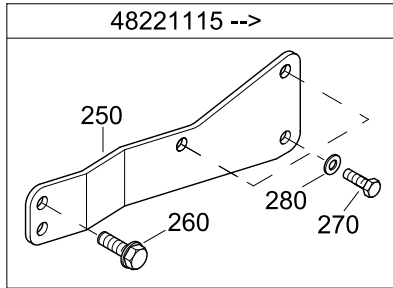


TA 0108

144 MARINE
TURBO DIESEL
+ SOLAS

INTERCOOLER

01084084-0





INTERCOOLER	144 MARINE TURBO DIESEL + SOLAS
--------------------	---

01084084-0

Pos.	Part.-No.	Qty	Designation	Step
280	3930070-0	5	WASHER ISO 7089-6-140HV-A2	.2
290	2203789-2	1	SHACKLE 48222010—>	.2
300	2206210-1	1	GROUND WIRE —>482290263	.2
310	2178968-0	1	GROUND WIRE 482290264—>	.2



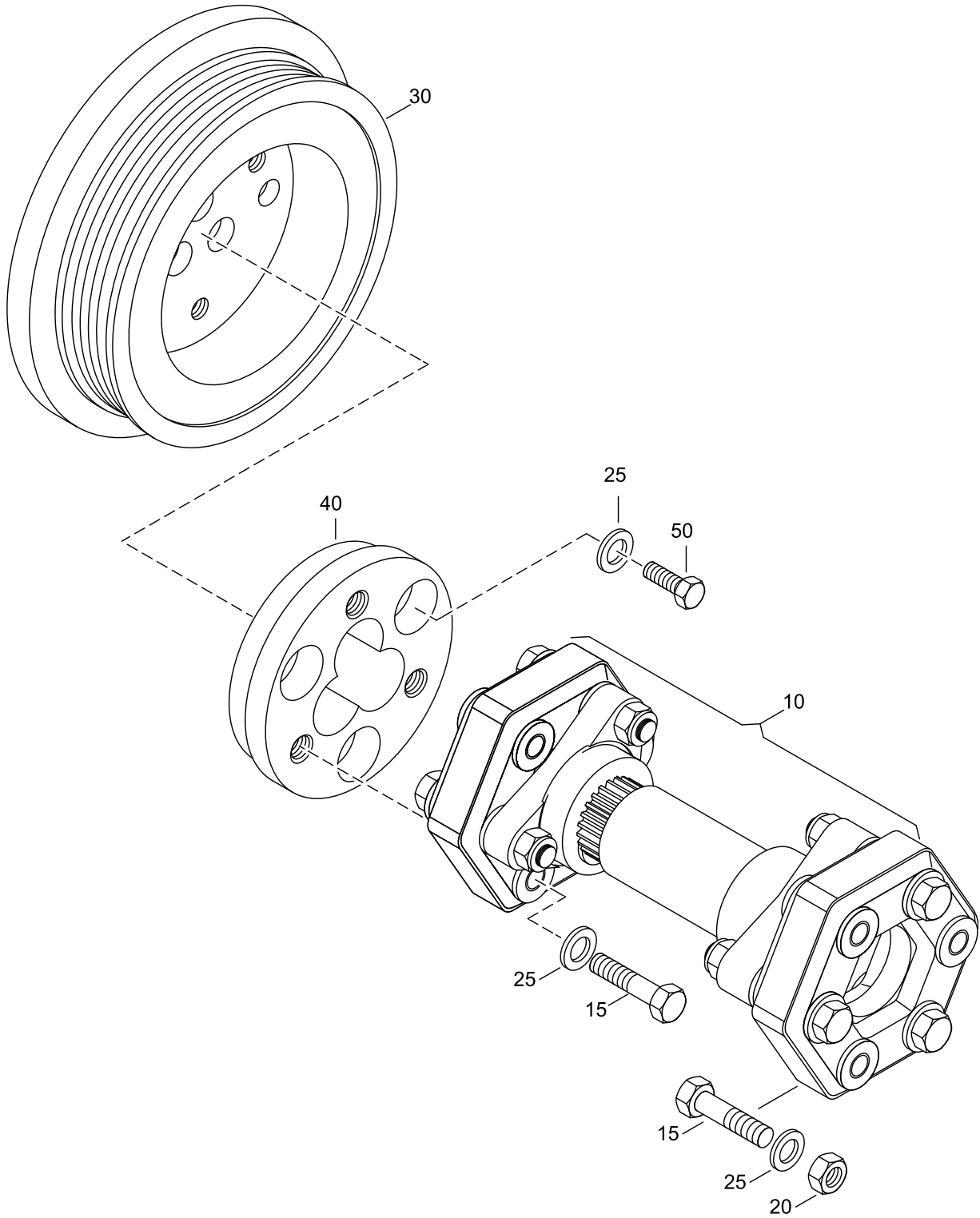


TA 0109

144 MARINE
TURBO DIESEL
+ SOLAS

POWER TAKE OFF FRONT

01094084-0



POWER TAKE OFF FRONT

144 MARINE
TURBO DIESEL
+ SOLAS

01094084-0

Pos.	Part.-No.	Qty	Designation	Step
10	2205329-0	1	ELASTIC SHAFT L=130-158	.2
15	3802451-0	6	HEX.HD.SCR. ISO 4017-M8x50-8.8-A2C	.2
20	3888722-0	3	HEX.NUT,PREVG.TORQUE DIN 985-M8-A2C	.2
25	3930103-0	9	WASHER DIN 125-8.4-140HV-A2	.2
30	2203779-0	1	TORSIONAL VIBRATION DAMPER-PTO	.2
40	2203787-0	1	FLANGE - PTO	.2
50	3802432-0	3	HEX.HD.SCR. ISO 4017-M8x30-8.8-A2C	.2

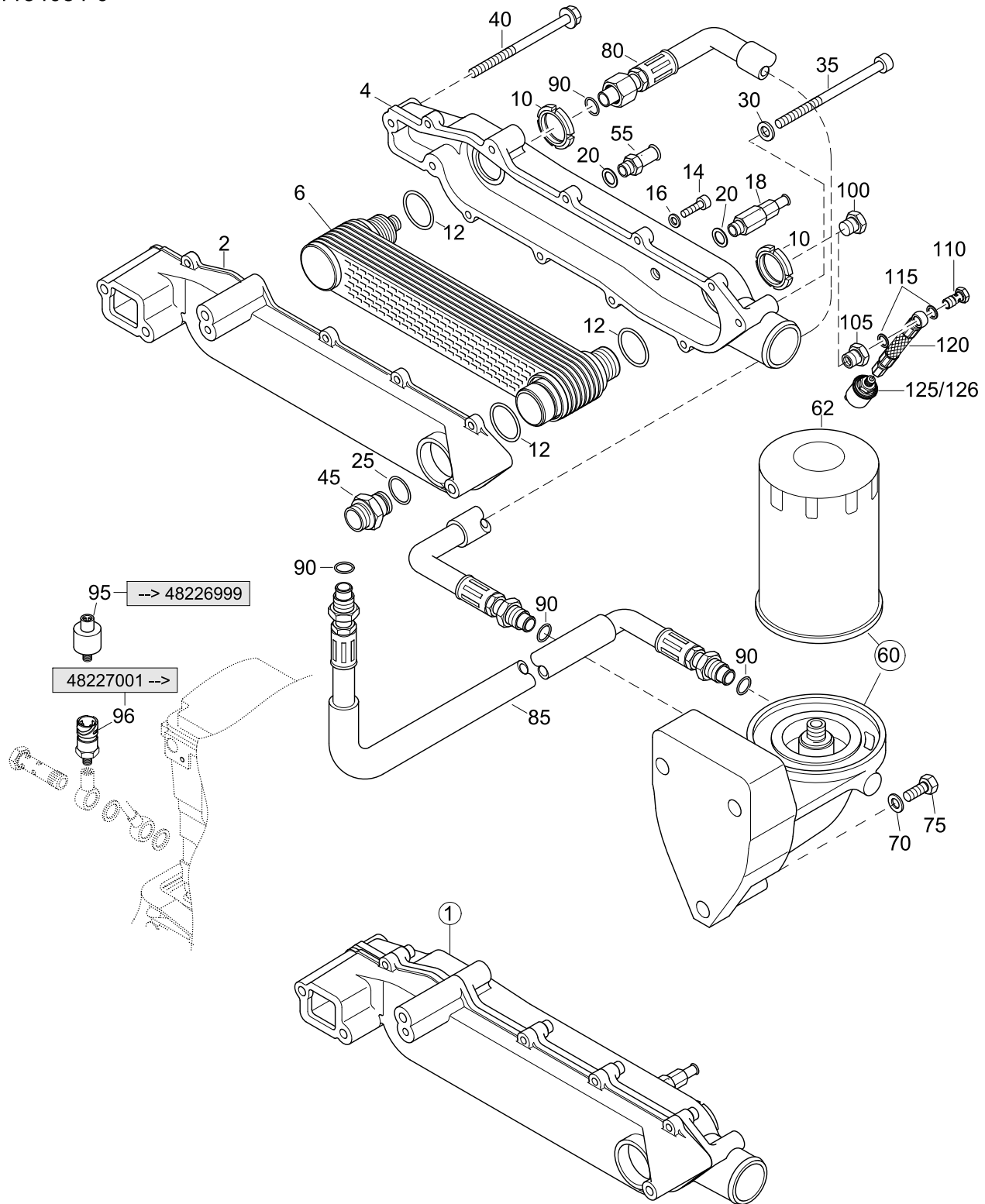


TA 0113

144 MARINE
TURBO DIESEL
+ SOLAS

OILCOOLER

01134084-0



OILCOOLER	144 MARINE TURBO DIESEL + SOLAS
------------------	---

01134084-0

Pos.	Part.-No.	Qty	Designation	Step
1	Z002402-0	1	OIL COOLER ASSY. 4 CYL. MARINE (PAINTED)	.2
2	2203260-9	1	HOUSING OIL COOLER, PAINTED	..3
4	2203262-9	1	COVER OIL COOLER, PAINTED	..3
6	2178632-1	1	OIL COOLER CARTRIDGE	..3
10	9000315-0	2	GROOVE NUT DIN 70852-M30x1.5-14H-A3C	..3
12	2177741-0	3	O-RING 32,92 x 3,53	..3
14	3862327-0	7	HEX.SOCK. HD.CAP SCR. DIN 912-M6x25-8.8-A2C	..3
16	3932008-0	7	SPRING WASHER DIN 137-B6-FST-A3C	..3
18	2178598-0	1	DRAIN COCK ASSY.	..3
20	9000786-0	1	DICHTRING DIN 7603-A12x16-CU	..3
25	2177742-1	1	O-RING 25 x 3,53	.2
30	3930103-0	2	WASHER DIN 125-8.4-140HV-A2	.2
35	9000312-0	2	HEX.SOCK. HD.CAP SCR. DIN 912-M8x120-8.8-A2C	.2
40	9000248-1	3	HEX.FLANGE BOLT EN 1665-M8x110-10.9-A2C	.2
45	Z002127-0	1	SPARE P. BUSHING, OIL COOLER	.2
55	2178698-0	1	NIPPLE HEATER ON OILCOOLER (ACCESSORY)	.2
60	Z002403-0	1	OIL FILTER & COVER ASSY. PAINTED	.2
62	2178582-1	1	OIL FILTER CARTRIDGE	..3
70	3930103-0	3	WASHER DIN 125-8.4-140HV-A2	.2
75	3862452-0	3	HEX.SOCK. HD.CAP SCR. DIN 912-M8x50-8.8-A2C	.2
80	2203740-0	1	HOSE, FILTER-OIL COOLER	.2
85	2203741-0	1	HOSE, OILPUMP TO FILTER	.2
90	2176170-0	4	O-RING 15 x 2	.2
95	2206122-0	1	OIL PRESSURE SENSOR —>48226999	.2
96	2206305-0	1	PRESSURE SENSOR 1/8-27 NPT 48227001—>	.2
100	9000290-0	1	SCREW PLUG 1/4-18 NPTF	.2
105	2203819-0	1	SCREW PLUG 1/4-18 NPTF - M10x1	.2
110	9000010-1	1	HOLLOW SCREW M10x1	.2
115	3098011-0	2	SEALING RING DIN 7603-A10x16-CU	.2
120	Z002405-0	1	HOSE OIL PRESSURE SENSOR (ACCESSORY)	.2
125	Z002640-0	1	OIL PRESSURE SENSOR 2 WAY (ACCESSORY)	.2



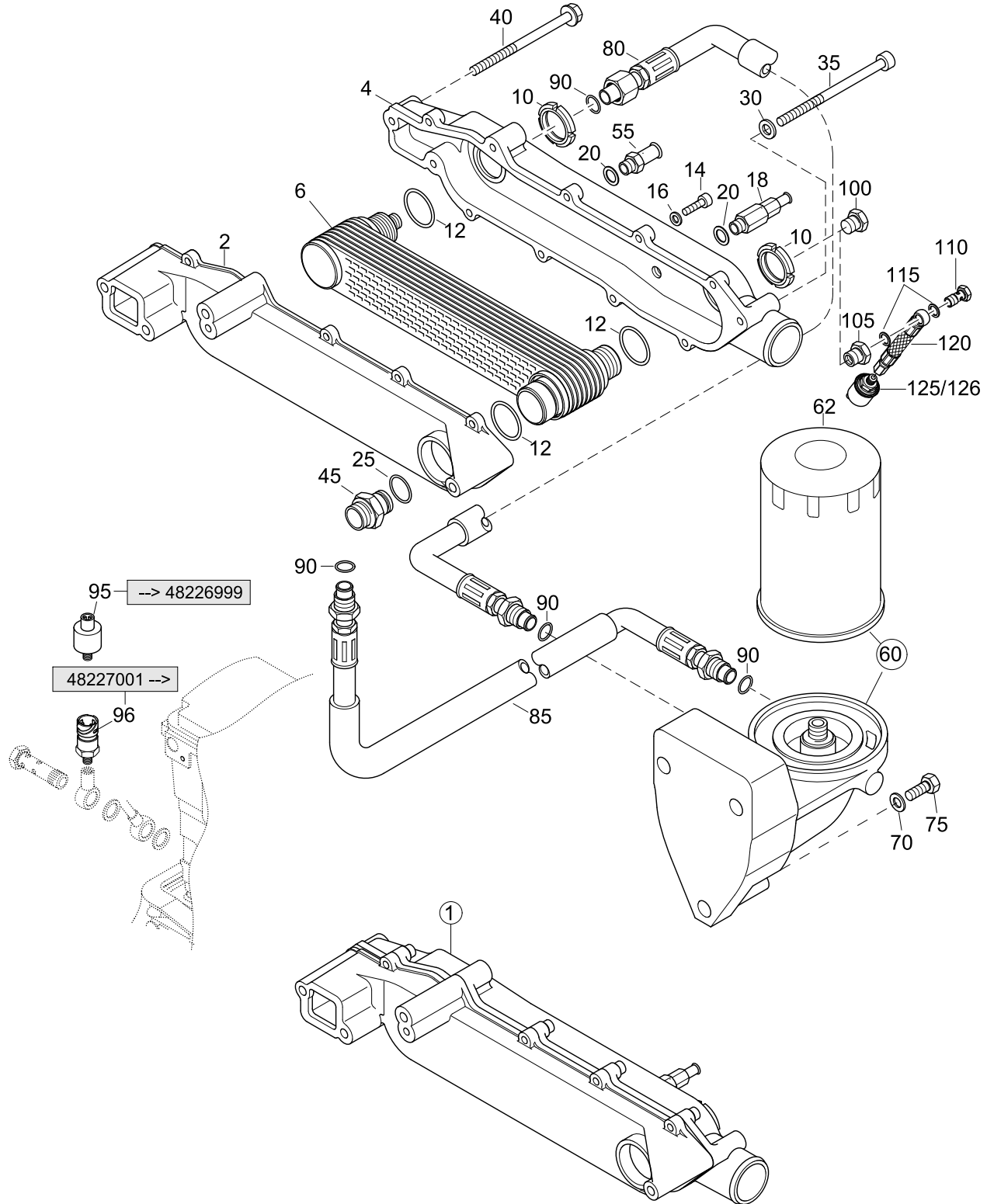


TA 0113

144 MARINE
TURBO DIESEL
+ SOLAS

OILCOOLER

01134084-0



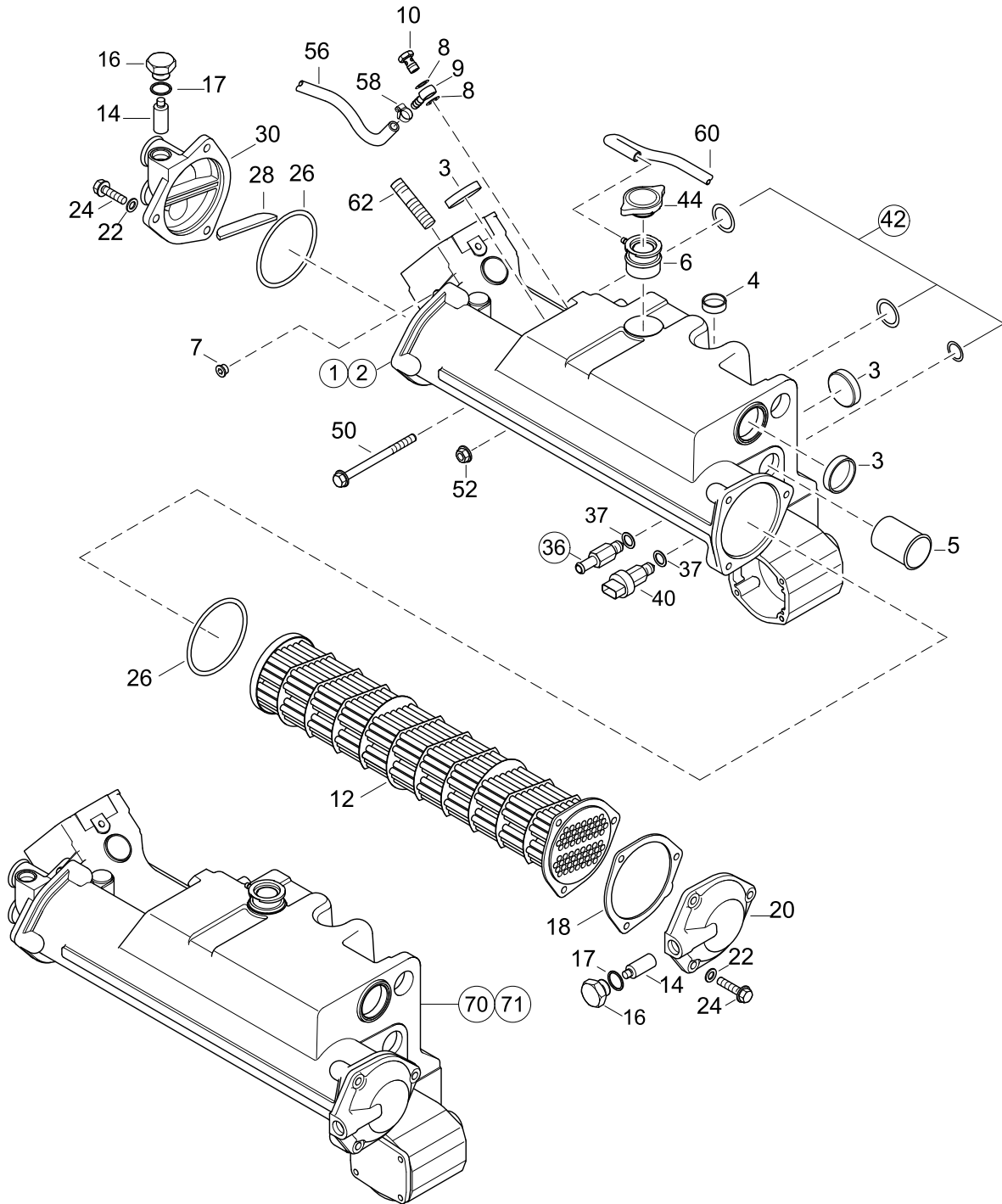


TA 0114

144 MARINE
TURBO DIESEL
+ SOLAS

EXHAUST, HEAT EXCHANGER, GASKET

01144084-0





EXHAUST, HEAT EXCHANGER, GASKET

144 MARINE
TURBO DIESEL
+ SOLAS

01144084-0

Pos.	Part.-No.	Qty	Designation	Step
1	2203703-0	1	EXHAUST MANIFOLD ASSY. PAINTED —>48227163	.2
2	Z002433-0	1	EXHAUST MANIFOLD ASSY. PAINTED 48227164—>	.2
3	2178112-0	3	CORE HOLE PLUG 40/8	..3
4	Z002048-0	9	CORE PLUG WITH O-RING	..3
5	2174617-0	1	PIPE FITTING	..3
6	2178331-0	1	FILLER NECK	..3
7	2170217-0	1	SCREW PLUG M10x1	..3
8	3098011-0	4	SEALING RING DIN 7603-A10x16-CU	.2
9	2174384-1	2	BANJO DN6 DIN 7642	.2
10	9000010-1	2	HOLLOW SCREW M10x1 DIN 7643-6-3-S	.2
12	2203704-0	1	HEATEXCHANGER	.2
14	2178413-1	2	ZINC ANODE	.2
16	Z002017-0	2	PLUG & SEAL FOR ZINC-ANODE	.2
17	3098020-0	1	SEALING RING DIN 7603-A18x22-CU	..3
18	2174155-1	1	GASKET, HEAT EXCHANGER COVER	.2
20	2173510-9	1	COVER HEAT EXCHANGER, FRONT PAINTED	.2
24	9000431-0	6	HEX.FLANGE BOLT EN 1665-M8x30-10.9-DAC	.2
26	2173636-0	2	O-RING 90x3	.2
28	2174073-0	1	SEAL FOR HEAT EXCHANGER COVER	.2
30	2177450-9	1	COVER HEAT EXCHANGER REAR, PAINTED	.2
36	2178598-0	1	DRAIN COCK ASSY.	.2
37	3098013-0	2	SEALING RING DIN 7603-A12x18-CU	.2
40	2174623-3	1	COOLANT TEMPERATURE SENSOR	.2
42	Z002489-0	1	SEAL KIT, EXH.MANIF - BLOCK 4 CYL.MARINE (O-RINGS)	.2
44	2174693-7	1	FILLER CAP ENGINE COOLANT	.2
50	9000248-1	8	HEX.FLANGE BOLT EN 1665-M8x110-10.9-A2C	.2
52	3880049-0	2	HEX.FLANGE NUT DIN 6923-M6-A2-70	.2
56	2178552-1	1	HOSE L=275mm	.2
58	2174405-0	2	HOSE CLAMP 10-16/7,5 EN 10088-1	.2
60	2174682-0	1	HOSE, OVERFLOW	.2
62	2203778-0	4	STUD HEAT-RESISTANT STEEL DIN 940-M8FOx25	.2



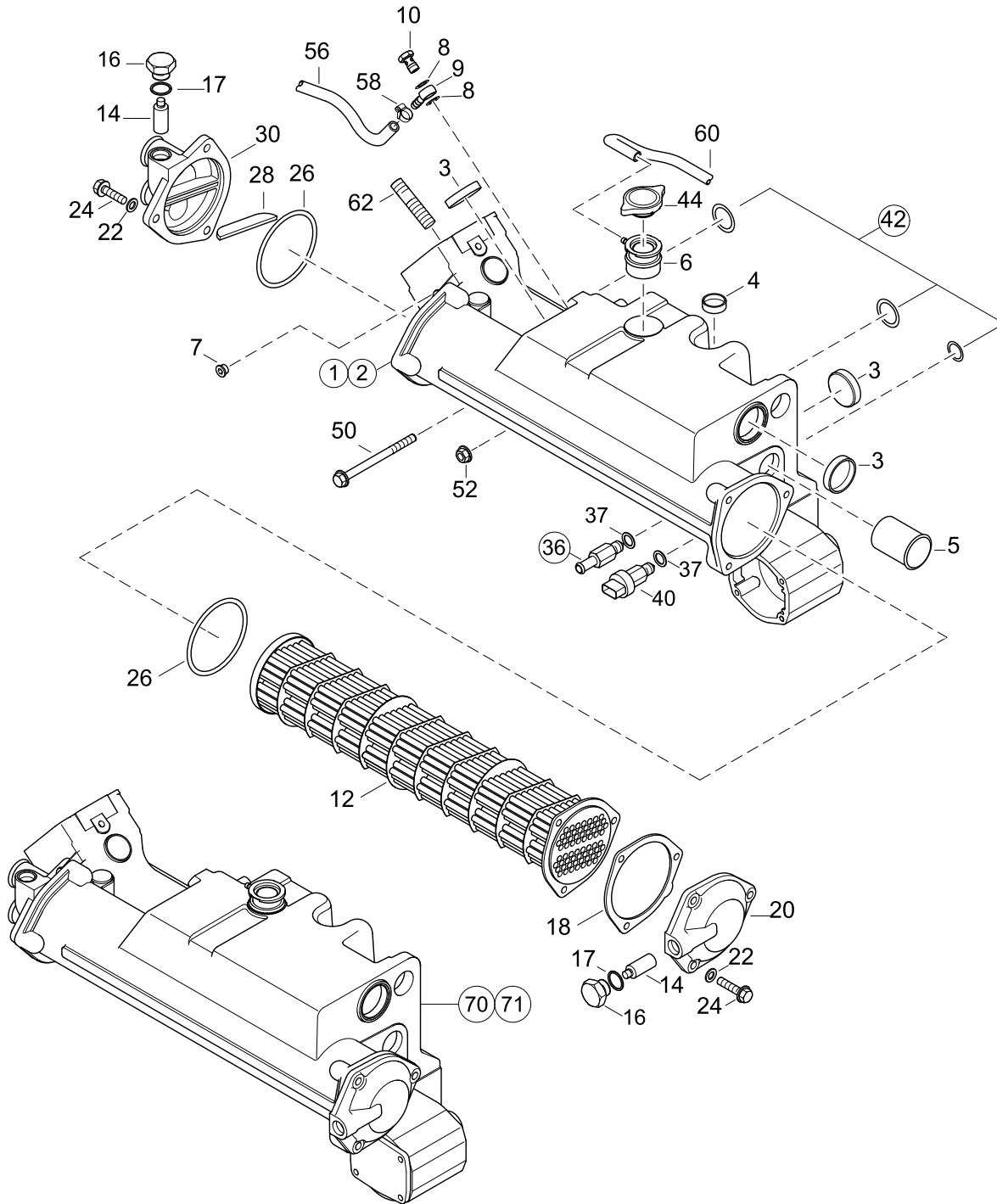


TA 0114

144 MARINE
TURBO DIESEL
+ SOLAS

EXHAUST, HEAT EXCHANGER, GASKET

01144084-0



EXHAUST, HEAT EXCHANGER, GASKET

144 MARINE
TURBO DIESEL
+ SOLAS

01144084-0

Pos.	Part.-No.	Qty	Designation	Step
70	Z002408-0	1	EXH.MANIFOLD COMPLETE (PAINTED) —>48227163	.2
71	Z002408-1	1	EXH.MANIFOLD COMPLETE (PAINTED) 48227164—>	.2



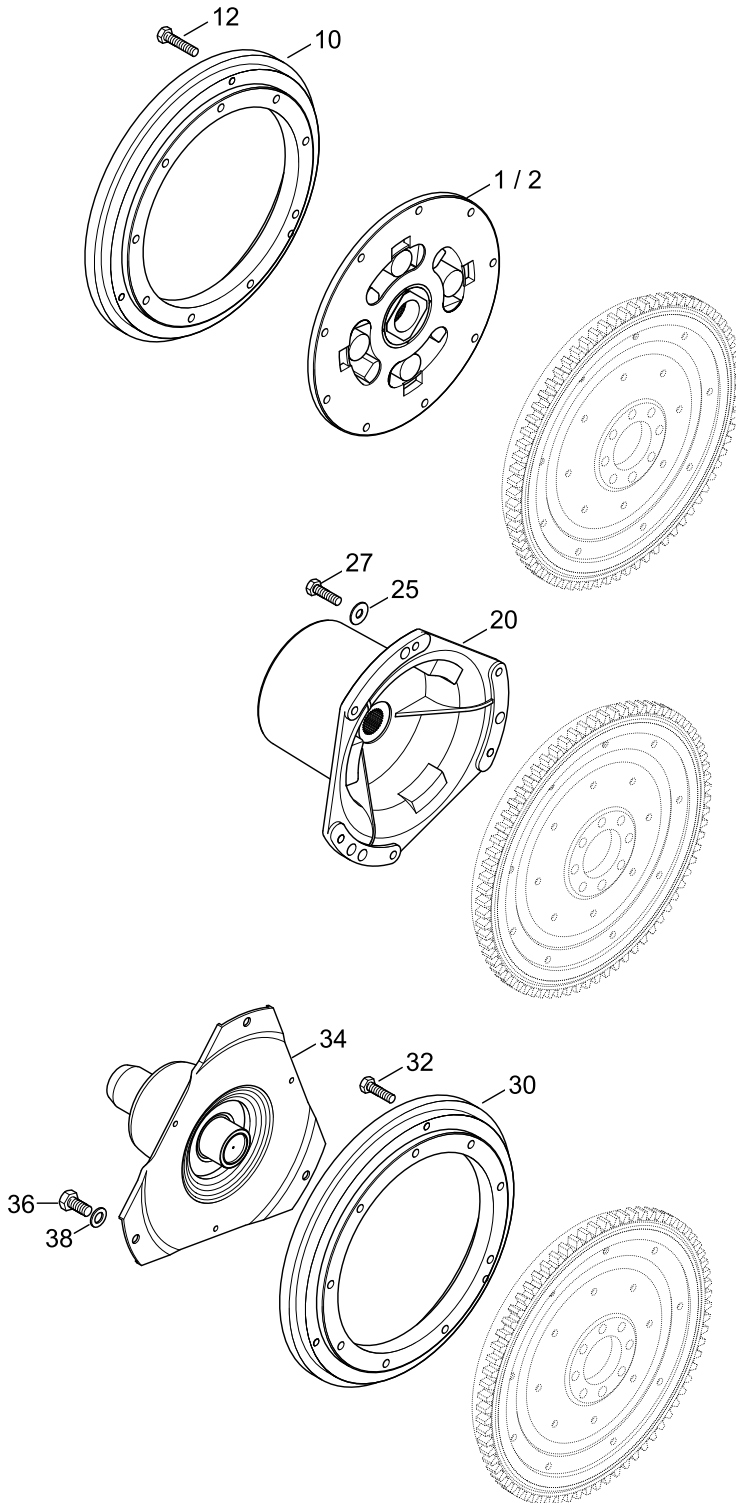


TA 0200

144 MARINE
TURBO DIESEL
+ SOLAS

COUPLER - SMALL FLYWHEEL

02004084-0





COUPLER - SMALL FLYWHEEL



02004084-0

Pos.	Part.-No.	Qty	Designation	Step
1	2178860-X	1	COUPLING DUAL STAGE 20/40-26T (FOR ZF GEAR-BOX)	.2
2	2178860-Y	1	COUPLING DUAL STAGE 16/32-17T (NEWAGE)	.2
10	2178737-A	1	FLY-RING FOR SMALL FLYWHEEL	.2
12	3802447-0	9	HEX.HD.SCR. ISO 4017-M8x45-8.8-A2C	.2
20	O987134-0	1	COUPLING FLYWHEEL 17T-16/32	.2
25	3936103-0	6	WASHER LARGE SERIES ISO 7093-1-8-200HV-A3C	.2
27	3802430-0	6	HEX.HD.SCR. ISO 4017-M8x30-10.9-A2C	.2
30	2178737-3	1	ADAPTER FLY-WHEEL MERCURY STERN-DRIVE	.2
32	3802430-0	1	HEX.HD.SCR. ISO 4017-M8x30-10.9-A2C	.2
34	2178860-N	1	COUPLING 144-, 236 BM 88.2	.2
36	3802543-0	3	HEX.HD.SCR. ISO 4017-M10x20-10.9-A3C	.2
38	3930271-0	3	WASHER DIN 125 10-140HV-A3C	.2



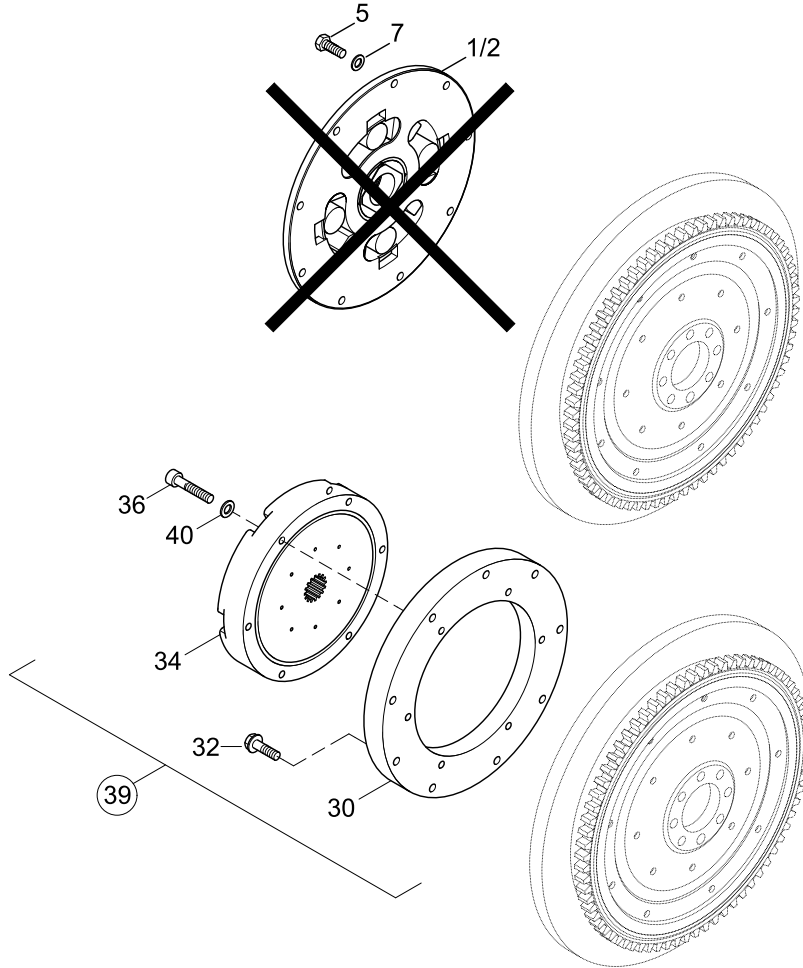


TA 0201

144 MARINE
TURBO DIESEL
+ SOLAS

COUPLER

02014084-1



COUPLER	144 MARINE TURBO DIESEL + SOLAS
----------------	---

02014084-1

Pos.	Part.-No.	Qty	Designation	Step
1	2178860-X	1	COUPLING 20/40-26T (ZF) —> NEW NUMBER Z002066-V	.2
2	2178860-Y	1	COUPLING 16/32-17T (NEWAGE) —> NEW NUMBER Z002066-J	.2
5	3802424-0	9	HEX.HD.SCR. ISO 4017-M8x25-8.8-A2C	.2
7	3930103-0	9	WASHER DIN 125-8.4-140HV-A2	.2
30	2179163-0	1	ADAPTER RING, FLY WHEEL	.2
32	9000431-0	9	HEX.FLANGE BOLT EN 1665-M8x30-10.9-DAC	.2
34	2179164-0	1	COUPLER 20-40 26T	.2
36	9000520-0	6	HEX.SOCK. HD.CAP SCR. ISO 4762-M8x50-10.9-DAC	.2
39	Z002066-V	1	COUPLING KIT 20/40-26T F.GEAR & SCREWS	.2
40	3930103-0	6	WASHER DIN 125-8.4-140HV-A2	.2



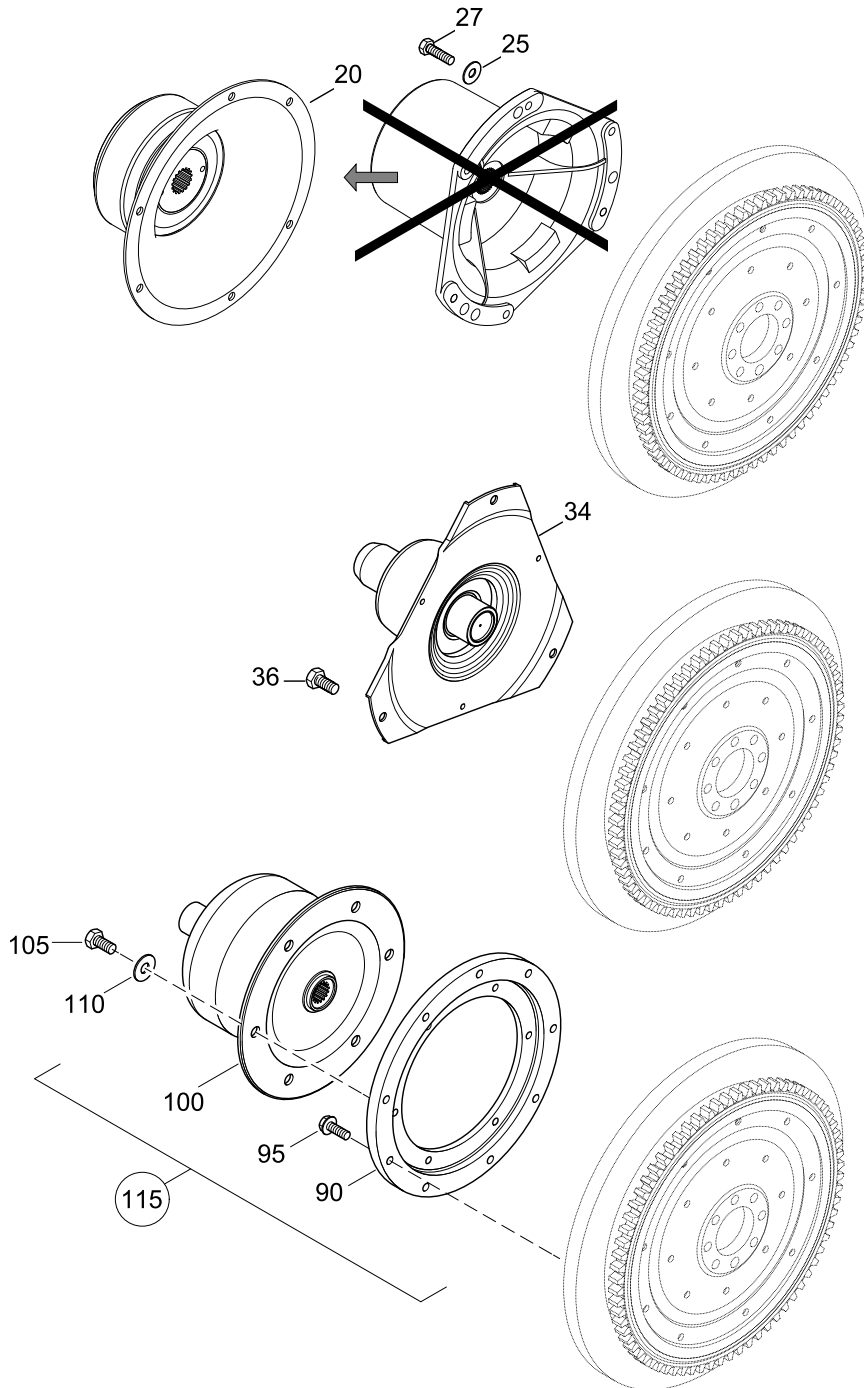


TA 0201

144 MARINE
TURBO DIESEL
+ SOLAS

COUPLER

02014084-3



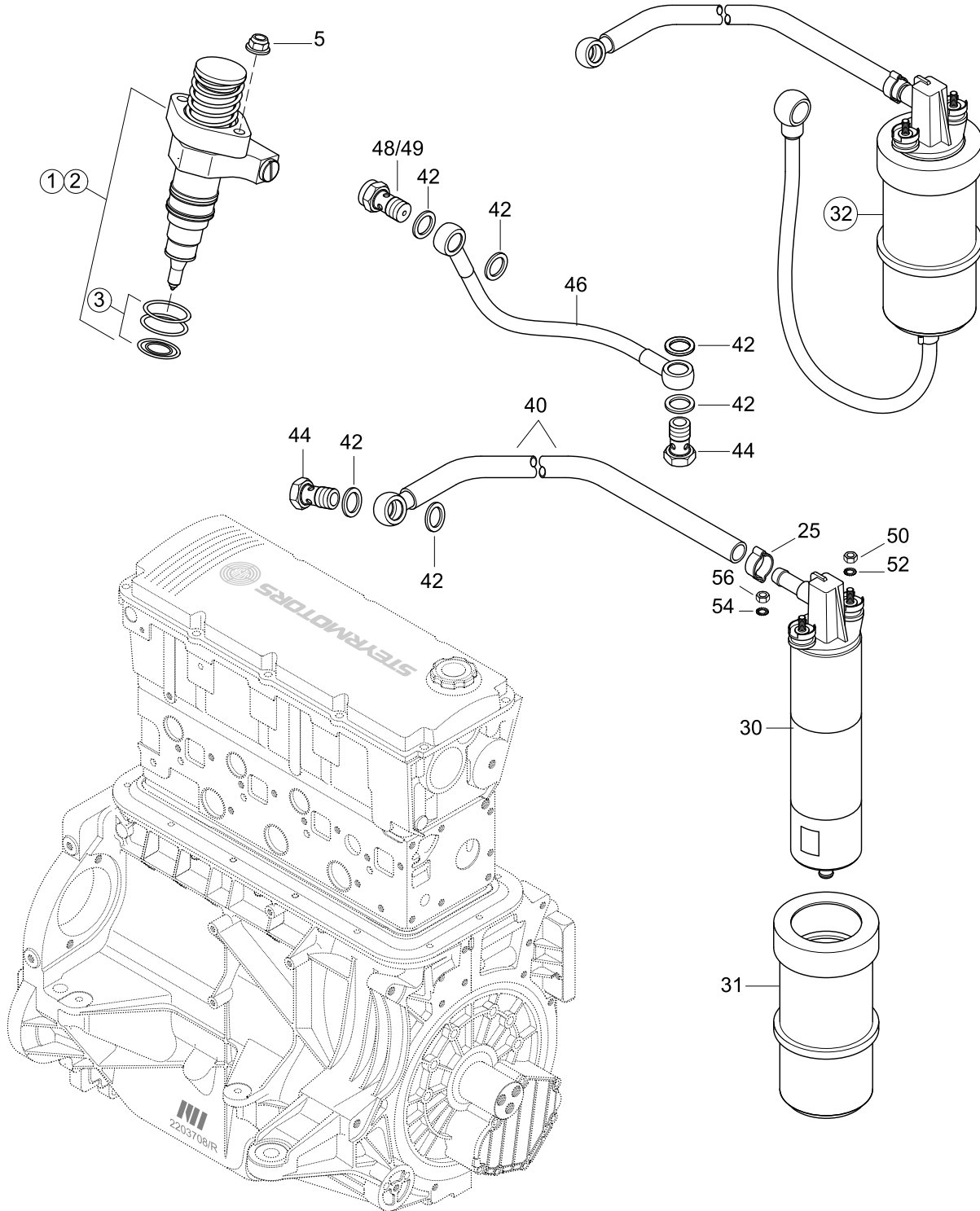


TA 0302

144 MARINE
TURBO DIESEL
+ SOLAS

FUEL PUMP, UNIT INJECTOR, PIPE

03024084-1





FUEL PUMP, UNIT INJECTOR, PIPE

144 MARINE
TURBO DIESEL
+ SOLAS

03024084-1

Pos.	Part.-No.	Qty	Designation	Step
1	Z002030-5	4	UNIT INJECTOR ASSY 555/5 & SEAL RING —>48226999	.2
2	Z002030-7	4	UNIT INJECTOR + SEALINGS 2176557/0 48227001—>	.2
3	Z002031-0	1	SEAL KIT, UNIT INJECTOR	..3
5	9000056-1	8	HEX.FLANGE NUT DIN 6923-M8-8-A2C	.2
25	2178995-0	1	HOSE CLAMP 17,5mm	.2
30	2173396-4	1	FUEL PUMP 12V (WITH ISOLATING SLEEVE)	.2
31	2173396-1	1	ISOLATING SLEEVE FUEL PUMP	..3
32	Z002054-1	1	FUEL PUMP ASSY & LINES	.2
40	2203766-1	1	FUEL HOSE PUMP/BLOCK	.2
42	3098015-0	6	SEALING RING DIN 7603-A14x20-CU	.2
44	9000053-0	2	HOLLOW SCREW M14x1,5 DIN 7643-10-DAC A500	.2
46	2203776-0	1	FUEL PIPE BLOCK-TANDEM COOLER (KTL)	.2
48	2178561-1	1	OVERFLOW VALVE FUEL-CYLINDER BLOCK —>48224082	.2
49	2178572-1	1	HOLLOW SCREW THROTTLED 48224083—>	.2
50	3870050-0	1	HEX.NUT DIN 934-M5-A2-70	.2
52	9000040-0	1	TOOTHED LOCK WASHER EXTERN. DIN 6797-A5.3-1.4310	.2
54	9000039-0	1	TOOTHED LOCK WASHER EXTERN. DIN 6797-A4.3-1.4310	.2
56	3870051-0	1	HEX.NUT ISO 4032-M4-A2-70	.2





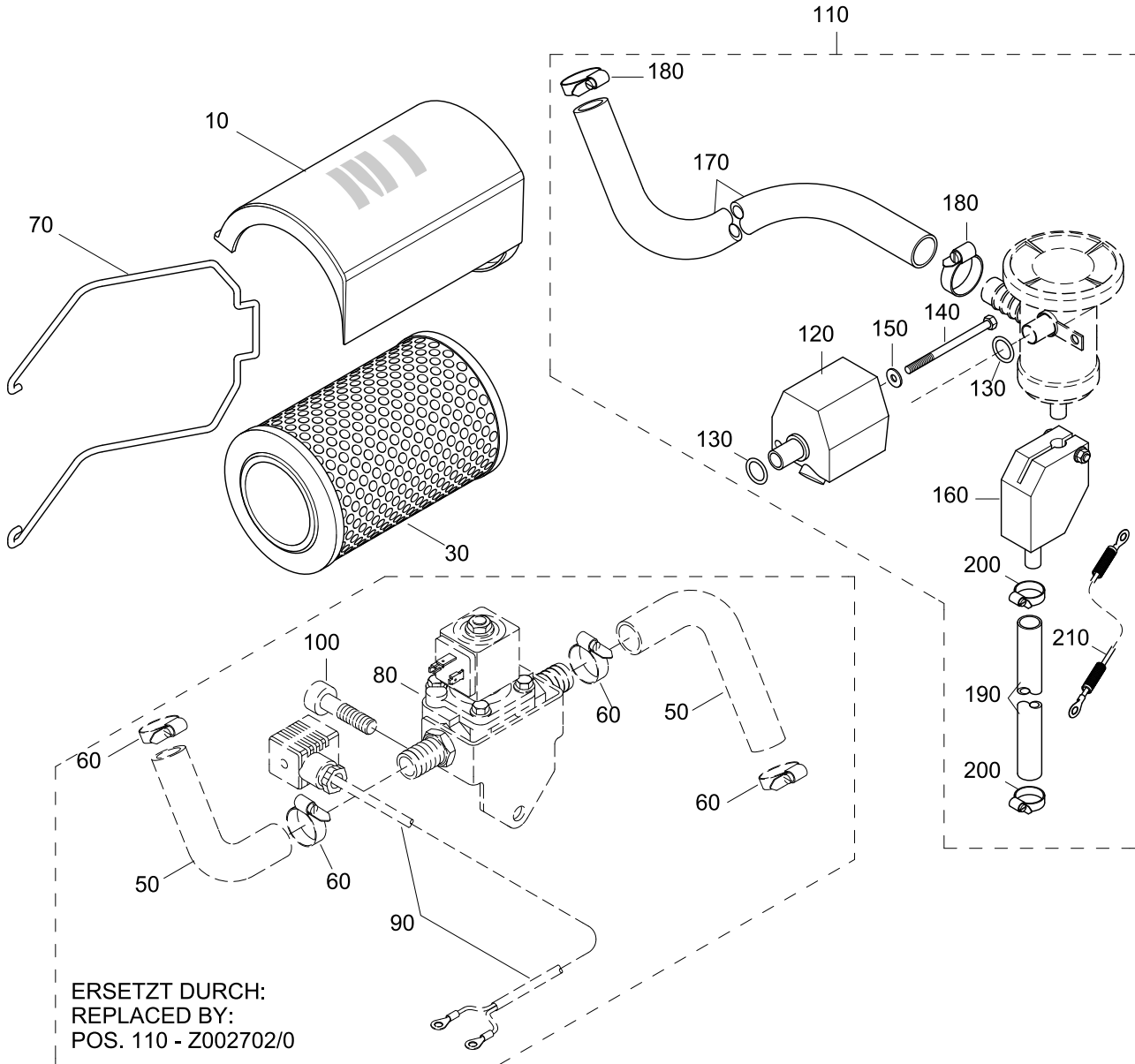
TA 0304

144 MARINE
TURBO DIESEL
+ SOLAS

**AIRFILTER -->48219069
(ONLY FOR MO144V38)**

03044084-0

ONLY FOR MO144V38



**AIRFILTER -->48219069
(ONLY FOR MO144V38)****144 MARINE**
TURBO DIESEL
+ SOLAS

03044084-0

Pos.	Part.-No.	Qty	Designation	Step
10	2178334-0	1	COVER, AIR FILTER—>NO MORE AVAILABLE—>REPLACED BY Z024004-0	.2
30	2177468-0	1	AIR FILTER CARTRIDGE	.2
50	2178581-2	1	MOULDED HOSE OIL SEPARATOR	.2
60	2177753-0	4	HOSE CLAMP 16-25/9 EN 10088-1	.2
70	2178315-0	1	RETAINER, AIR FILTER	.2
80	2178973-G	1	SOLENOID VALVE ASSY. (SOLAS)	.2
90	2178976-0	1	CABLE SOLENOID VALVE SOLAS	.2
100	3860149-0	1	HEX.SOCK. HD.CAP SCR. DIN 912-M10x40-8.8-A3C	.2
110	Z002702-0	1	BALL VALVE KIT SOLAS	.2
120	2179069-9	1	BALL VALVE ASSY. (PAINTED)	.3
130	2178310-1	2	O-RING 17x3,53	.3
140	9000452-0	1	HEX.HD.BOLT ISO 4014-M6x75-A2-70	.3
150	9000012-0	1	WASHER LARGE SERIES DIN 9021-6.4-140HV-A2	.3
160	2179070-9	1	BALL VALVE ASSY. (PAINTED)	.3
170	2178581-2	1	MOULDED HOSE OIL SEPARATOR	.3
180	2177753-0	2	HOSE CLAMP 16-25/9 EN 10088-1	.3
190	2178287-1	1	HOSE, OIL DRAIN	.3
200	2174405-0	2	HOSE CLAMP 10-16/7,5 EN 10088-1	.3
210	2206210-1	1	GROUND WIRE ASSY.	.3





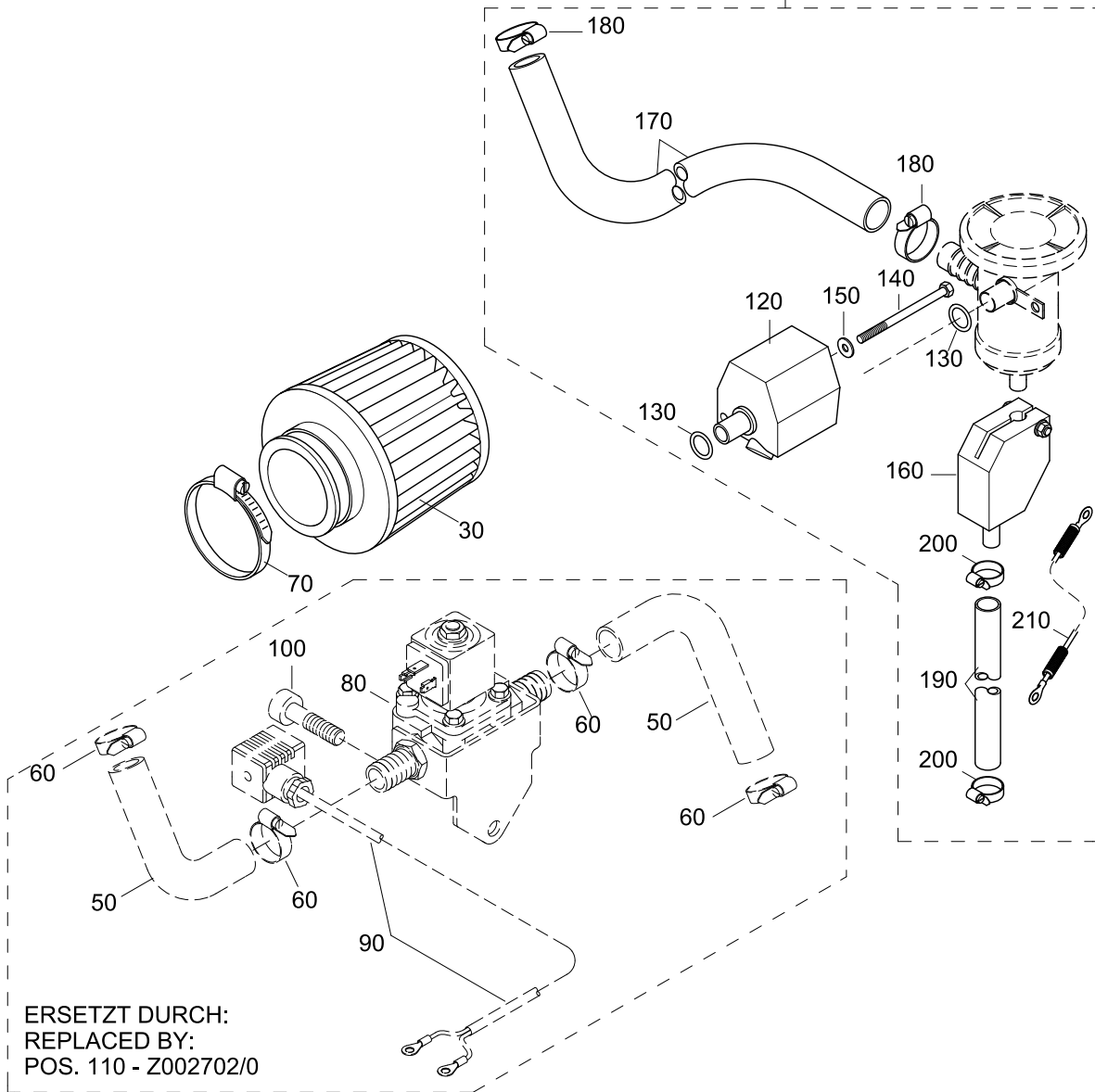
TA 0304

144 MARINE
TURBO DIESEL
+ SOLAS

AIRFILTER 48219070 -->
(ONLY FOR MO144V38)

03044084-1

ONLY FOR MO144V38



AIRFILTER 48219070 --> (ONLY FOR MO144V38)	144 MARINE TURBO DIESEL + SOLAS
--	---

03044084-1

Pos.	Part.-No.	Qty	Designation	Step
30	2178992-0	1	AIR FILTER SA 70-110	.2
50	2178581-2	1	HOSE OIL SEPERATOR	.2
60	2177753-0	4	HOSE CLAMP 16-25/9	.2
70	2174417-1	1	HOSE CLAMP 70-90/9	.2
80	2178973-G	1	SOLENOID VALVE ASSY. (SOLAS)	.2
90	2178976-0	1	CABLE SOLENOID VALVE SOLAS	.2
100	3860149-0	1	HEX.SOCK.HD.CAP SCR.DIN 912-M10x40-8.8-A3C	.2
110	Z002702-0	1	BALL VALVE KIT SOLAS	.2
120	2179069-9	1	BALL VALVE ASSY. (PAINTED)	..3
130	2178310-1	2	O-RING 17 X 3,53	..3
140	9000452-0	1	HEX.HD.BOLT ISO 4014-M6x75-A2-70	..3
150	9000012-0	1	WASHER LARGE SERIES DIN 9021-6.4-140HV-A2	..3
160	2179070-9	1	BALL VALVE ASSY. (PAINTED)	..3
170	2178581-2	1	HOSE OIL SEPERATOR	..3
180	2177753-0	2	HOSE CLAMP 16-25/9	..3
190	2178287-1	1	HOSE, OIL DRAIN	..3
200	2174405-0	2	HOSE CLAMP 10-16/7,5	..3
210	2206210-1	1	GROUND WIRE ASSY.	..3





TA 0304

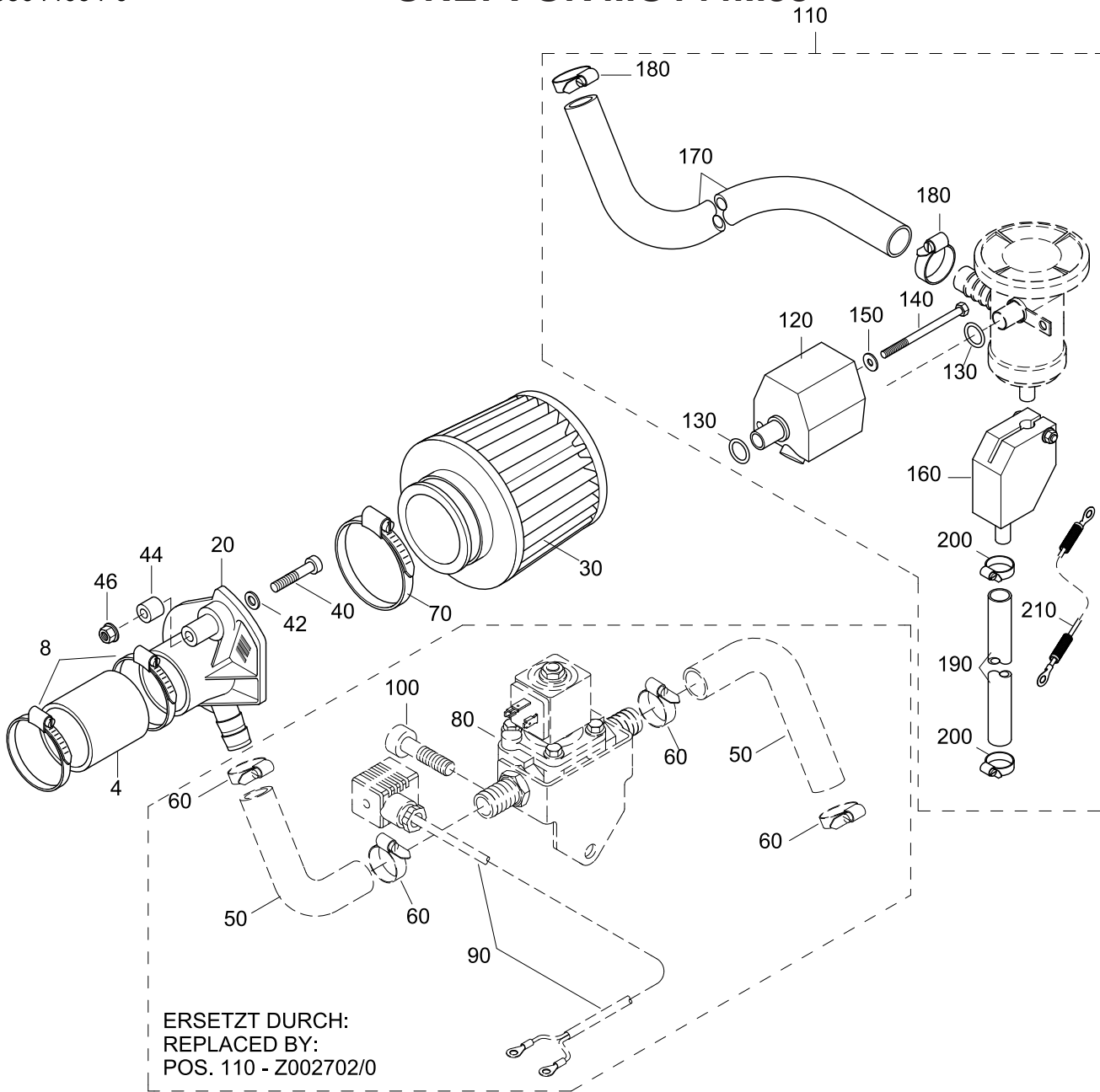


144 MARINE
TURBO DIESEL
+ SOLAS

**AIRFILTER --> 48228079
(ONLY FOR MO144M38)**

03044094-0

ONLY FOR MO144M38





AIRFILTER --> 48228079
(ONLY FOR MO144M38)

144 MARINE
TURBO DIESEL
+ SOLAS

03044094-0

Pos.	Part.-No.	Qty	Designation	Step
4	2178618-5	1	HOSE, TURBO CHARGER ID60/L=50	.2
8	2177462-0	2	HOSE CLAMP 50-70/12	.2
20	2178308-9	1	BRACKET AIR FILTER ASSY. PAINTED	.2
30	2178992-0	1	AIR FILTER SA 70-110	.2
40	3862471-0	1	HEX.SOCK. HD.CAP SCR. DIN 912-M8x70-8.8-A2C	.2
44	2205027-0	1	SLEEVE	.2
46	9000056-1	1	HEX.FLANGE NUT DIN 6923-M8-8-A2C	.2
50	2178581-2	1	HOSE OIL SEPERATOR	.2
60	2177753-0	4	HOSE CLAMP 16-25/9	.2
70	2174417-1	1	HOSE CLAMP 70-90/9	.2
80	2178973-G	1	SOLENOID VALVE ASSY. (SOLAS)	.2
90	2178976-0	1	CABLE SOLENOID VALVE SOLAS	.2
100	3860149-0	1	HEX.SOCK. HD.CAP SCR. DIN 912-M10x40-8.8-A3C	.2
110	Z002702-0	1	BALL VALVE KIT SOLAS	.2
120	2179069-9	1	BALL VALVE ASSY. (PAINTED)	.3
130	2178310-1	2	O-RING 17 X 3,53	.3
140	9000452-0	1	HEX.HD.BOLT ISO 4014-M6x75-A2-70	.3
150	9000012-0	1	WASHER LARGE SERIES DIN 9021-6.4-140HV-A2	.3
160	2179070-9	1	BALL VALVE ASSY. (PAINTED)	.3
170	2178581-2	1	HOSE OIL SEPERATOR	.3
180	2177753-0	2	HOSE CLAMP 16-25/9	.3
190	2178287-1	1	HOSE, OIL DRAIN	.3
200	2174405-0	2	HOSE CLAMP 10-16/7,5	.3
210	2206210-1	1	GROUND WIRE ASSY.	.3



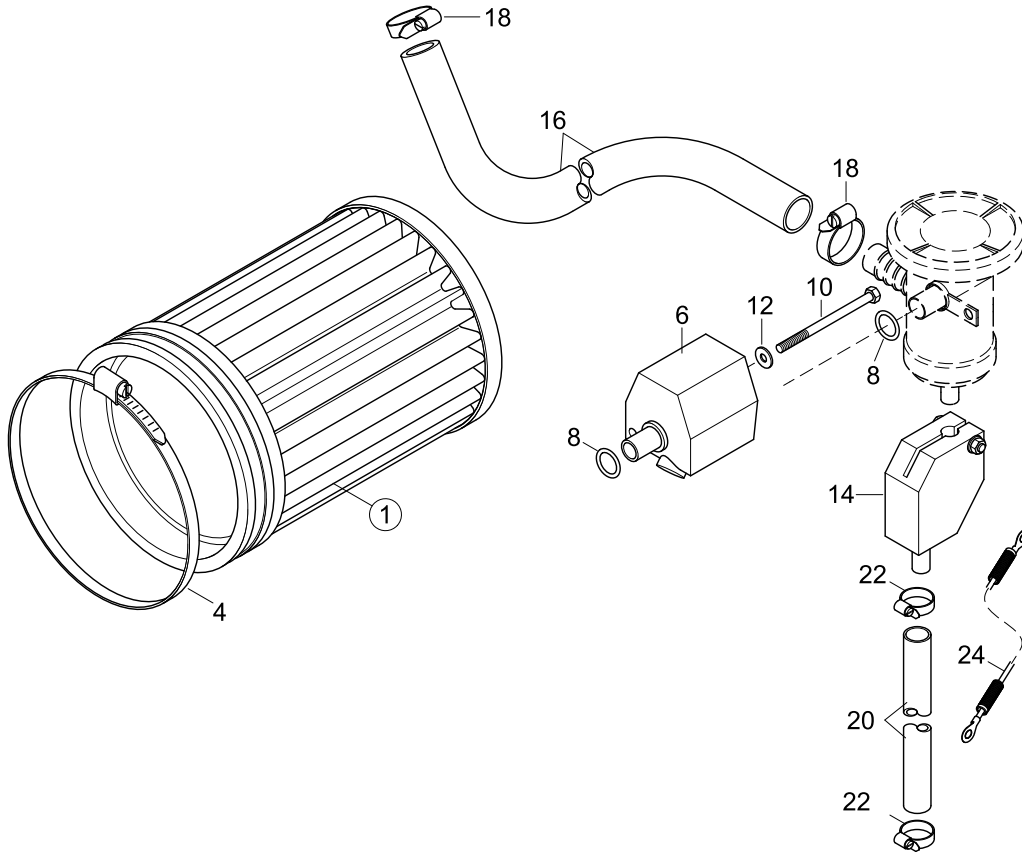


TA 0304

144 MARINE
TURBO DIESEL
+ SOLAS

AIRFILTER 48228080 -->
(ONLY FOR MO144M38)

03044094-1





AIRFILTER 48228080 -->
(ONLY FOR MO144M38)

144 MARINE
TURBO DIESEL
+ SOLAS

03044094-1

Pos.	Part.-No.	Qty	Designation	Step
1	Z002100-3	1	AIR FILTER DM101 + HOSE CLAMP	.2
4	2179195-0	1	HOSE CLAMP 110-130/9	.3
6	2179069-9	1	BALL VALVE ASSY. (PAINTED)	.2
8	2178310-1	2	O-RING 17 X 3,53	.2
10	9000452-0	1	HEX.HD.BOLT ISO 4014-M6x75-A2-70	.2
12	9000012-0	1	WASHER LARGE SERIES DIN 9021-6.4-140HV-A2	.2
14	2179070-9	1	BALL VALVE ASSY. (PAINTED)	.2
16	2178581-2	1	HOSE OIL SEPERATOR	.2
18	2177753-0	2	HOSE CLAMP 16-25/9	.2
20	2178287-1	1	HOSE, OIL DRAIN	.2
22	2174405-0	2	HOSE CLAMP 10-16/7,5	.2
24	2206210-1	1	GROUND WIRE ASSY.	.2





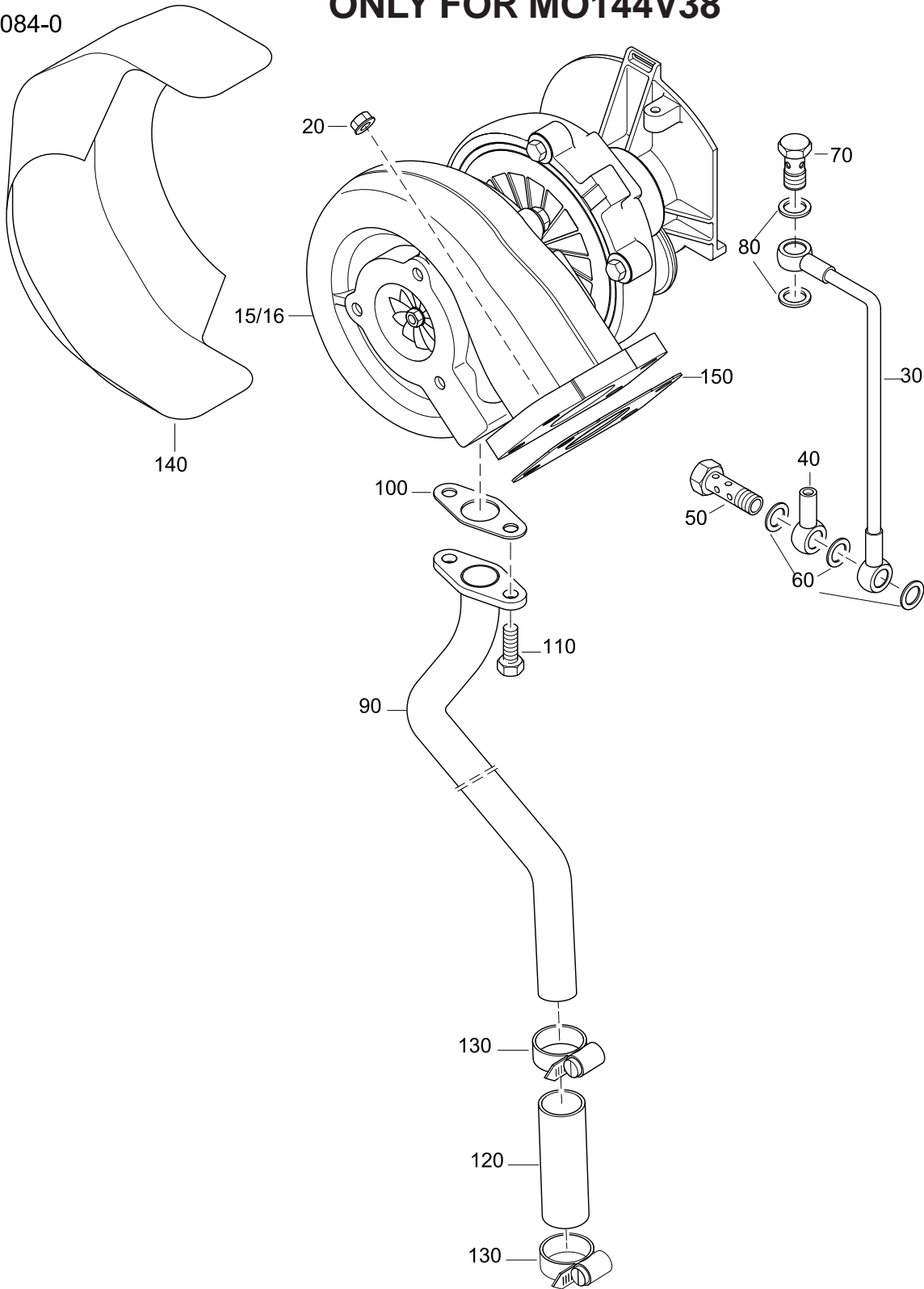
TA 0305

144 MARINE
TURBO DIESEL
+ SOLAS

TURBOCHARGER
(ONLY FOR MO144V38)

03054084-0

ONLY FOR MO144V38





**TURBOCHARGER
(ONLY FOR MO144V38)**

144 MARINE
TURBO DIESEL
+ SOLAS

03054084-0

Pos.	Part.-No.	Qty	Designation	Step
15	Z002420-0	1	TURBO & BASE AIR FILTER ASSY. 144 VTI (PAINTED) →48228136	.2
16	Z002486-0	1	TURBO & BASE AIR FILTER ASSY. 144 VTI (PAINTED) 48228137→	.2
20	2178640-0	4	HEX.FL. NUT, PREVG.TORQUE M8	.2
30	2203770-0	1	OIL INLET PIPE TURBOCHARGER	.2
40	2203772-0	1	BRACKET OIL PRESSURE SENSOR	.2
50	2203591-0	1	DOUBLE HOLLOW SCREW M12x1,5	.2
60	3098013-0	3	DICHRING DIN 7603-A12x18-CU	.2
70	9000010-1	1	HOLLOW SCREW M10x1	.2
80	3098011-0	2	SEALING RING DIN 7603-A10x16-CU	.2
90	2203760-0	1	PIPE OIL-RETURN ASSY.	.2
100	2203278-0	1	GASKET OIL-RETURN TURBOCHARGER	.2
110	3802321-0	2	HEX.HD.SCR. ISO 4017-M6x16-8.8-A2C	.2
120	2178573-4	1	HOSE OIL-RETURN TURBOCHARGER	.2
130	2177753-0	2	HOSE CLAMP 16-25/9	.2
140	2203749-0	1	HEAT PROTECTING TURBOCHARGER	.2
150	2200309-1	1	GASKET, TURBO	.2





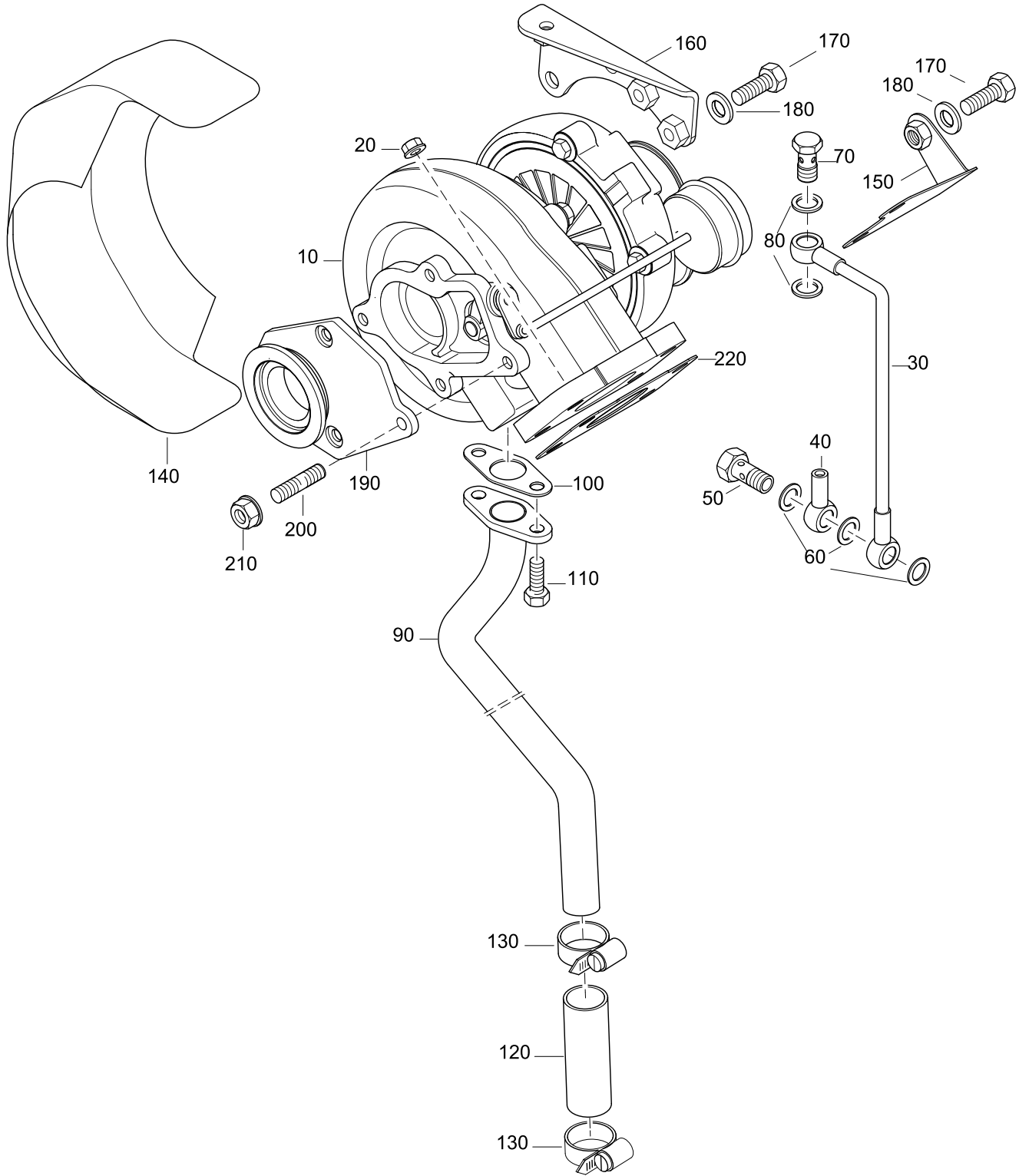
TA 0305

144 MARINE
TURBO DIESEL
+ SOLAS

TURBOCHARGER
(ONLY FOR MO144M38)

03054094-0

ONLY FOR MO144M38



**TURBOCHARGER
(ONLY FOR MO144M38)**



03054094-0

Pos.	Part.-No.	Qty	Designation	Step
10	Z002422-0	1	TURBOCHARGER ASSY. 144 (PAINTED)	.2
20	2178640-0	4	HEX.FL. NUT, PREVG.TORQUE HEAT RESIST. EN 1664-M8-C2U-GA	.2
30	2203770-4	1	OIL INLET PIPE TURBOCHARGER	.2
40	2203772-0	1	BRACKET OIL PRESSURE SENSOR	.2
50	2203591-0	1	DOUBLE HOLLOW SCREW M12x1,5 DIN 7643-8	.2
60	3098013-0	3	SEALING RING DIN 7603-A12x18-CU	.2
70	2178569-1	1	HOLLOW SCREW M10x1,25	.2
80	3098011-0	2	SEALING RING DIN 7603-A10x16-CU	.2
90	2203760-0	1	PIPE OIL-RETURN ASSY.	.2
100	2203278-0	1	GASKET OIL-RETURN TURBOCHARGER	.2
110	3800233-0	2	HEX.HD.SCR. ISO 4017-M6x16-A2-70	.2
120	2178573-4	1	HOSE OIL-RETURN TURBOCHARGER	.2
130	2177753-0	2	HOSE CLAMP 16-25/9 EN 10088-1	.2
140	2203749-2	1	HEAT PROTECTING TURBOMARINE 4 CYL.	.2
150	2203825-0	1	BRACKET BOOST PRESSURE TIN	.2
160	2203827-2	1	BRACKET RAW WATER PIPE	.2
170	3800224-0	3	HEX.HD.SCR. ISO 4017-M8x20-A2-70	.2
180	3930103-0	3	WASHER DIN 125-8.4-140HV-A2	.2
190	Z002426-0	1	FLANGE TURBO INCL. SCREWS	.2
200	2178608-6	4	STUD HIGH TEMPERATURE RESISTANT DIN 939-M8x15	.2
210	2178640-0	4	HEX.FL. NUT, PREVG.TORQUE HEAT RESIST. EN 1664-M8-C2U-GA	.2
220	2200309-1	1	GASKET TURBOCHARGER	.2





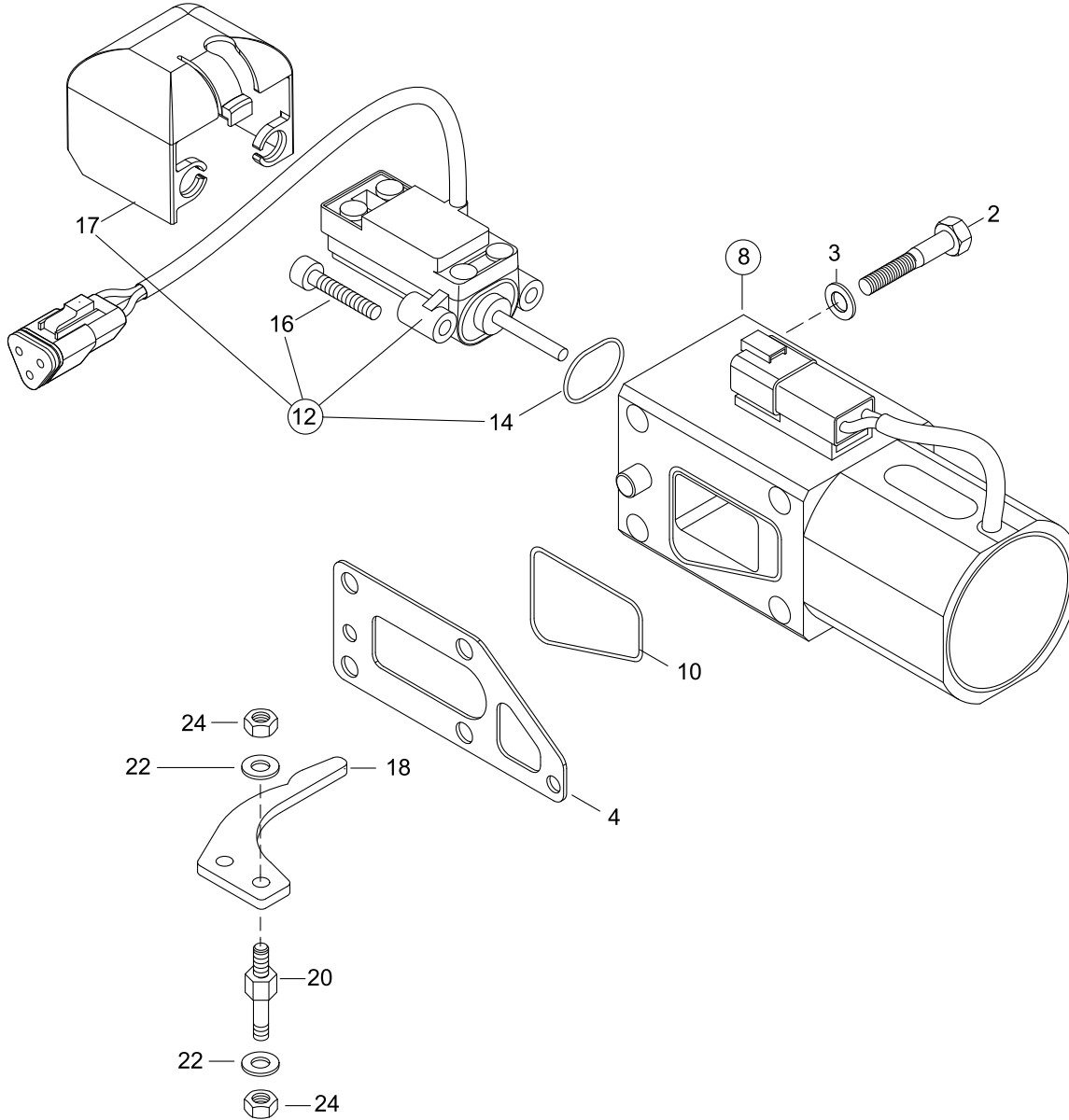
TA 0308



144 MARINE
TURBO DIESEL
+ SOLAS

CONTR. SOLENOID, POTENTIOMETER

03084084-1



CONTR. SOLENOID, POTENTIOMETER

144 MARINE
TURBO DIESEL
+ SOLAS

03084084-1

Pos.	Part.-No.	Qty	Designation	Step
2	9000446-1	4	HEX.HD.BOLT ISO4014-M8x70-A4-70	.2
3	3930103-0	4	WASHER DIN 125-8.4-140HV-A2	.2
4	2205223-0	1	SEAL, SOLENOID (TILL 2006)	.2
8	Z002153-0	1	CONTROL SOLENOID W. SENSOR CONTROL RACK POSITION	.2
10	2179707-0	1	O-RING 43x3,5	..3
12	Z002160-0	1	SENSOR, CONTROL RACK POSITION	..3
14	2179708-0	1	O-RING 18x1,5	..3
16	9000116-1	2	HEX.SOCK. HD.CAP SCR. DIN 912-M5x20-A2-70	..3
17	2179766-0	1	PROTECTING CAP, RACK-SENSOR	..3
18	2176745-2	1	CONTROL-LEVER	.2
20	2176746-1	2	DISTANCE-SHAFT	.2
22	3931062-0	4	SPRING LOCK WASHER DIN 127-B5-FST-A3C	.2
24	3871222-0	4	HEX.NUT ISO 4032-M5-8-A2C	.2



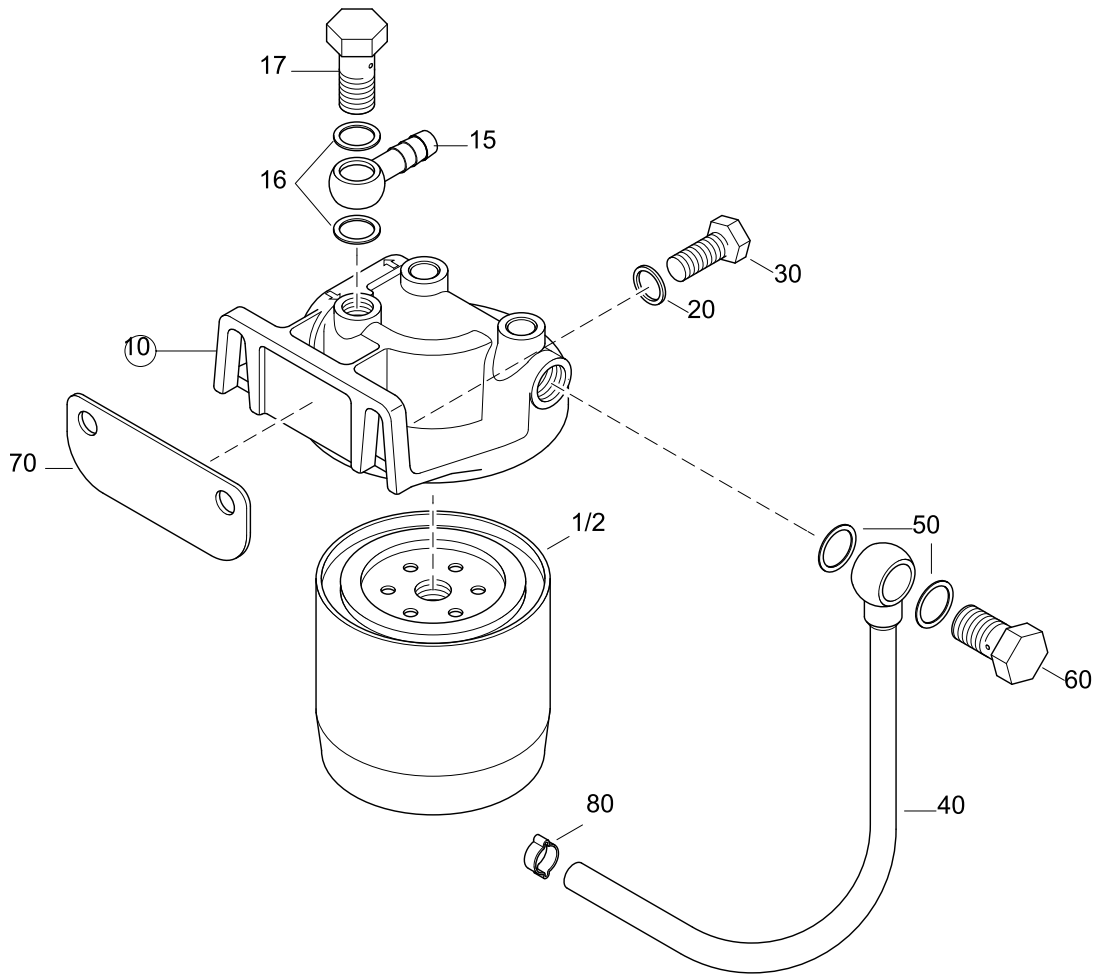


TA 0309

144 MARINE
TURBO DIESEL
+ SOLAS

FUEL FILTER

03094084-1





FUEL FILTER



03094084-1

Pos.	Part.-No.	Qty	Designation	Step
1	2203710-0	1	FUEL FILTER CARTIDGE SHORT	.2
2	2177745-1	1	FUEL FILTER CARTRIDGE	.2
10	Z002624-0	1	BRACKET FUEL-FILTER & BANJO FITTING (PAINTED)	.2
15	2174383-1	1	BANJO FITTING DN8 DIN 7642-A2C	..3
16	3098015-0	2	SEALING RING DIN 7603-A14x20-CU	..3
17	9000053-0	1	HOLLOW SCREW M14x1,5 DIN 7643-10-DAC A500	..3
20	3930075-0	2	WASHER DIN 125 A10.5-140HV-A2	.2
30	3802532-0	2	HEX.HD.SCR. ISO 4017-M10x35-8.8	.2
40	2203765-2	1	FUEL LINE FILTER-PUMP	.2
50	3098015-0	2	SEALING RING DIN 7603-A14x20-CU	.2
60	9000053-0	1	HOLLOW SCREW M14x1,5 DIN 7643-10-DAC A500	.2
70	2203736-2	1	RETAINING STRAP FUELPUMP	.2
80	2178995-0	1	HOSE CLAMP 17,5mm	.2



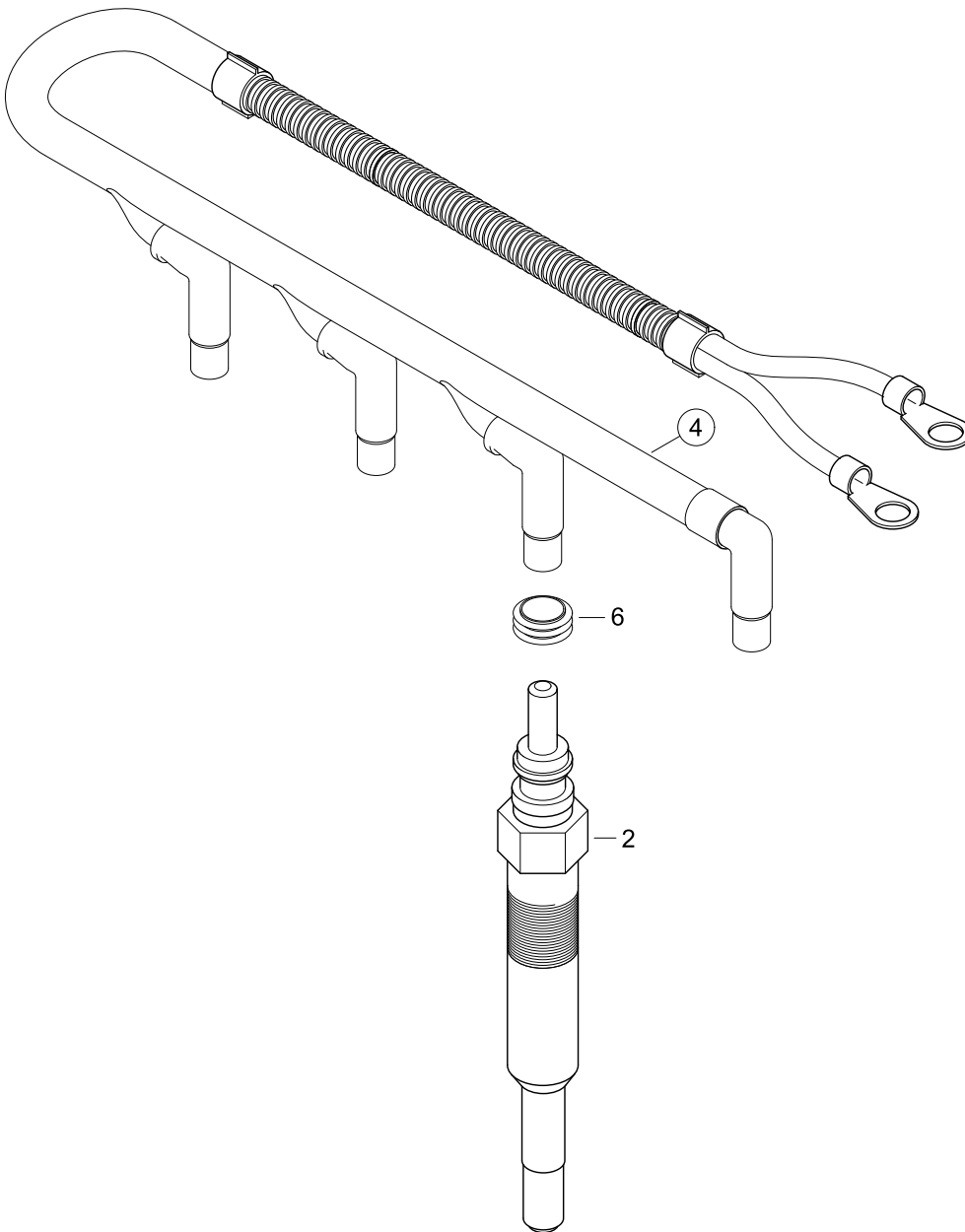


TA 0311

144 MARINE
TURBO DIESEL
+ SOLAS

GLOW PIN

03114084-0



GLOW PIN

144 MARINE
TURBO DIESEL
+ SOLAS

03114084-0

Pos.	Part.-No.	Qty	Designation	Step
2	2177492-5	4	GLOW PLUG	.2
4	2200215-4	1	CABLE GLOW-PLUG ASSY. 4 CYL.	.2
6	2179256-0	4	GASKET GLOW PLUG CONNECTOR	.3





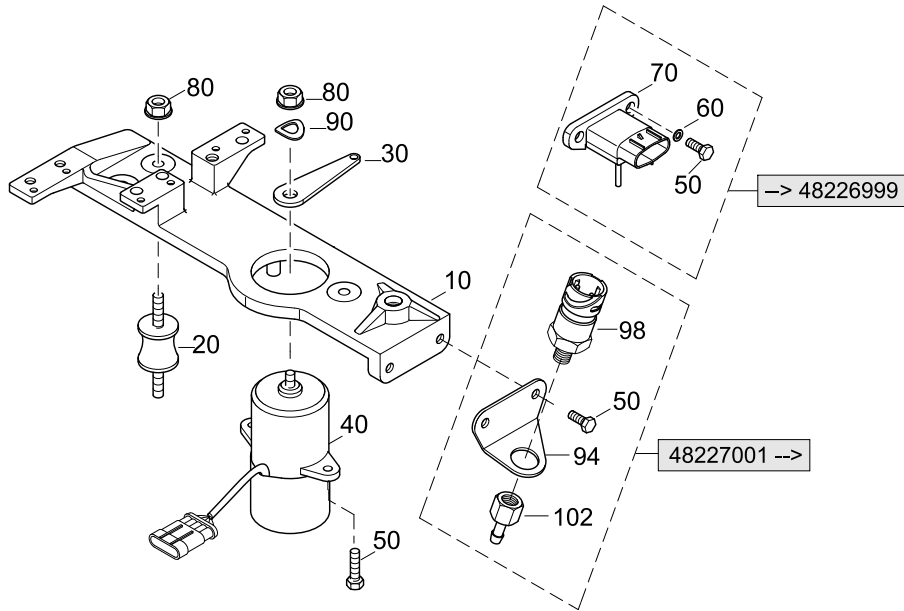
TA 0312

144 MARINE
TURBO DIESEL
+ SOLAS

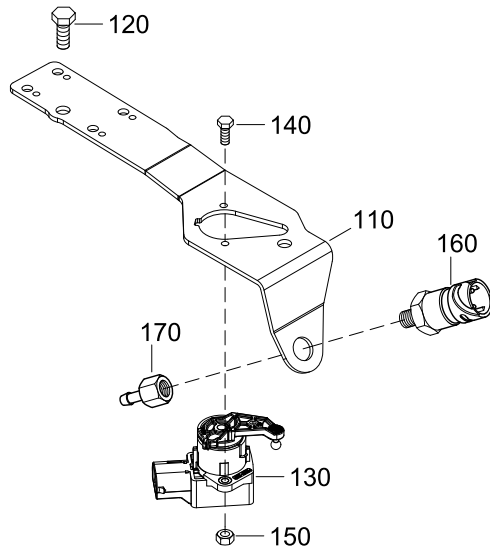
POT. ACCELE., BOOST PRESSURE SENSOR

03124084-0

TILL --> 482330249



FROM 482330250 -->





POT. ACCELE., BOOST PRESSURE SENSOR

144 MARINE
TURBO DIESEL
+ SOLAS

03124084-0

Pos.	Part.-No.	Qty	Designation	Step
10	2203771-9	1	SHIFTPLATE PAINTED	.2
20	2203744-0	3	RUBBER MOUNT	.2
30	2203777-0	1	LEVER POTENTIOMETER	.2
40	2176860-1	1	POTENTIOMETER ACCELERATOR	.2
50	3800238-0	4	HEX.HD.SCR. ISO 4017-M6x12-A2-70	.2
60	3930070-0	2	WASHER ISO 7089-6-140HV-A2	.2
70	2203662-1	1	BOOST-PRESSURE-SENSOR 2.5 bar —>48226999	.2
80	3880049-0	4	HEX.FLANGE NUT EN 1661-M6-A2-70	.2
90	3932008-0	1	SPRING WASHER DIN 137-B6-FST-A3C	.2
94	2203824-0	1	BRACKET BOOST PRESSURE SENSOR 48227001—>482330250	.2
98	2206305-0	1	PRESSURE SENSOR 1-8 27 NPT 48227001—>	.2
102	2203834-1	1	ADAPTER BOOST PRESSURE SENSOR 48227001—>	.2
110	2204054-0	1	BRACKET POTENTIOMETER	.2
120	3800224-0	2	HEX.HD.SCR. ISO 4017-M8x20-A2-70	.2
130	2180847-0	1	POTENTIOMETER ACCELERATOR	.2
140	2309129-0	2	HEX. SOCKET HEAD CAP SCREW ISO 4762-M4x12-A2-70	.2
150	3870051-0	2	HEX.NUT ISO 4032-M4-A2-70	.2
160	2206305-0	1	PRESSURE SENSOR 1-8 27 NPT	.2
170	2203834-1	1	ADAPTER BOOST PRESSURE SENSOR	.2





TA 0401

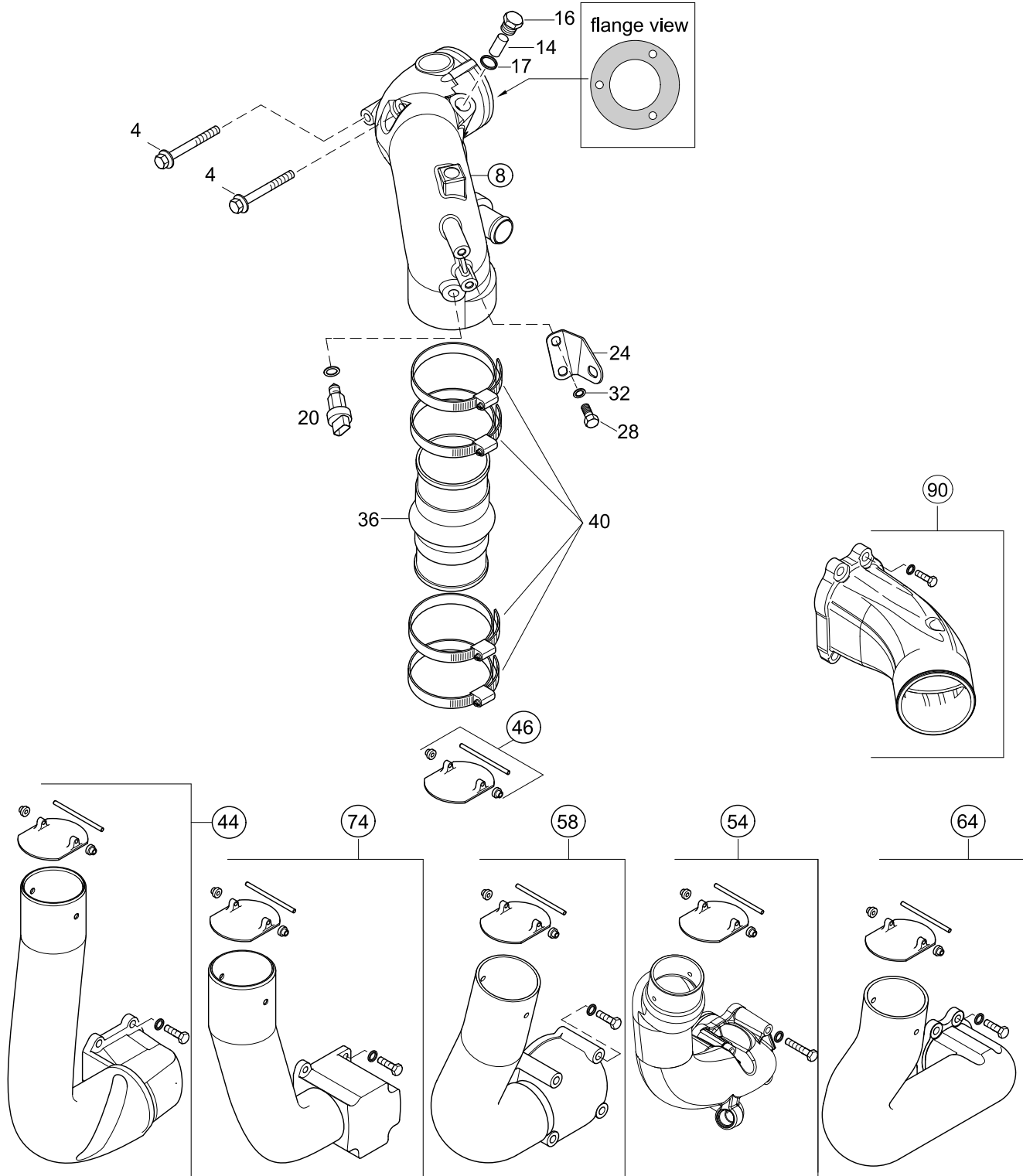


144 MARINE
TURBO DIESEL
+ SOLAS

**HIGH RISER, EXHAUSTPIPE
(ONLY FOR MO144V38)**

04014084-0

ONLY FOR MO144V38





**HIGH RISER, EXHAUSTPIPE
(ONLY FOR MO144V38)**

144 MARINE
TURBO DIESEL
+ SOLAS

04014084-0

Pos.	Part.-No.	Qty	Designation	Step
4	9000329-0	3	HEX.HD.BOLT ISO 4014-M8x115-A4-70	.2
8	2203774-9	1	EXHAUST HIGH RISER ASSY. (PAINTED)	.2
14	2178413-1	1	ZINC ANODE	..3
16	2178412-1	1	PLUG M18x1.5	..3
17	3098020-0	1	SEALING RING DIN 7603-A18x22-CU	..3
20	2174623-3	1	COOLANT TEMPERATURE SENSOR	.2
21	9000786-0	1	SEALING RING DIN 7603-A12x16-CU	.2
24	2203767-8	1	SUPPORT, EXHAUST HIGH RISER (PAINTED)	.2
28	3800224-0	3	HEX.HD.SCR. ISO 4017-M8x20-A2-70	.2
32	3930103-0	3	WASHER DIN 125-8.4-140HV-A2	.2
36	Z002072-0	1	KIT, HOSE-EXHAUST PIPE	.2
40	2178943-0	4	HOSE CLAMP 90-110/12	..3
44	2178896-0	1	EXHAUST PIPE AY. (PAIN.) VOLVO SX/OMC KING COBRA	.2
46	Z002063-0	1	FLAP KIT, EXHAUST PIPE	..3
54	2178885-0	1	EXHAUST PIPE AY. (PAIN.) VOLVO DP290 R4, R6	.2
58	2178885-1	1	EXHAUST PIPE AY. (PAIN.) VOLVO DP290 V8	.2
64	2178886-1	1	EXHAUST PIPE AY. (PAIN.) MERCURY	.2
74	2178925-0	1	EXHAUST PIPE AY. (PAIN.) STERNPOWER	.2
90	Z002121-0	1	EXHAUST FLANGE MERCURY-TRANSOM (PAINTED)	.2





TA 0401

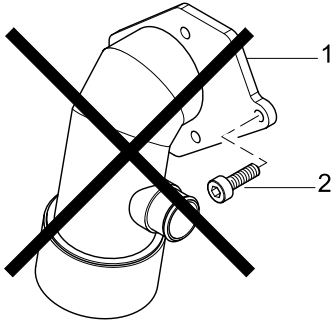
144 MARINE
TURBO DIESEL
+ SOLAS

**HIGH RISER, EXHAUSTPIPE
(ONLY FOR MO144M38)**

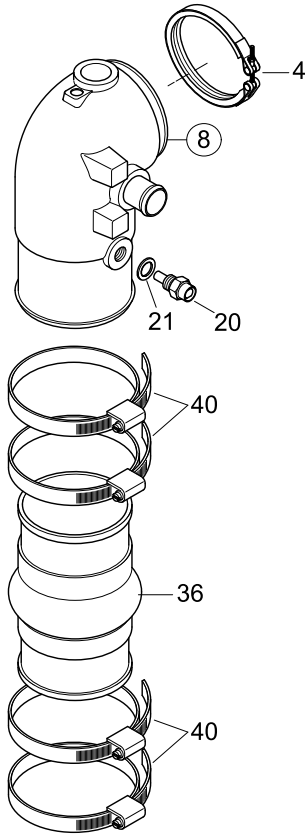
04014094-0

ONLY FOR MO144M38

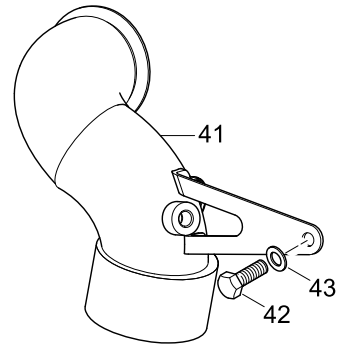
--> 48222010



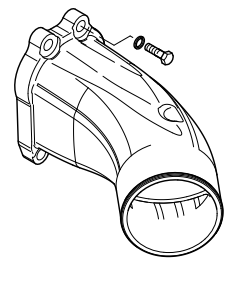
48222011 -->



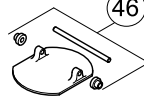
48222078 -->



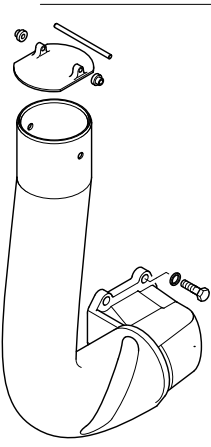
90



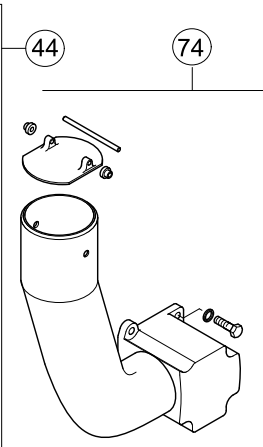
46



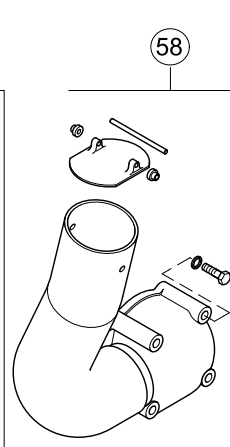
44



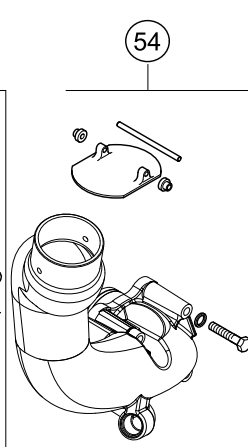
74



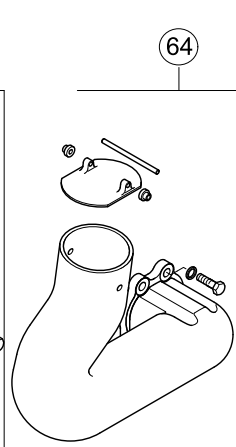
58



54



64



**HIGH RISER, EXHAUSTPIPE
 (ONLY FOR MO144M38)**

144 MARINE
 TURBO DIESEL
+ SOLAS

04014094-0

Pos.	Part.-No.	Qty	Designation	Step
1	2203831-0	1	EXHAUST HIGH RISER -> NEW NUMBER Z002487-0	.2
2	2174900-0	4	HEX.SOCK.HD.CAP.SCR.-H.R. M8x20	.2
4	2173297-0	1	CLAMP	.2
8	Z002095-0	1	ELBOW ASSY. EXHAUST (PAINTED)	.2
20	2174623-3	1	COOLANT TEMPERATURE SENSOR	.2
21	9000786-0	1	SEALING RING DIN 7603-A12x16-CU	.2
36	Z002072-0	1	KIT, HOSE-EXHAUST PIPE	.2
40	2178943-0	4	HOSE CLAMP 90-110/12	..3
41	2203836-0	1	EXHAUST HIGH RISER ASSY. MHI	.2
42	3800224-0	1	HEX.HD.SCR. ISO 4017-M8x20-A2-70	.2
43	3930103-0	1	WASHER DIN 125-8.4-140HV-A2	.2
44	2178896-0	1	EXHAUST PIPE AY. (PAIN.) VOLVO SX/OMC KING COBRA	.2
46	Z002063-0	1	FLAP KIT, EXHAUST PIPE	..3
54	2178885-0	1	EXHAUST PIPE AY. (PAIN.) VOLVO DP290 R4, R6	.2
64	2178886-1	1	EXHAUST PIPE AY. (PAIN.) MERCURY	.2
74	2178925-0	1	EXHAUST PIPE AY. (PAIN.) STERNPOWER	.2
90	Z002121-0	1	EXHAUST FLANGE MERCURY-TRANSOM (PAINTED)	.2



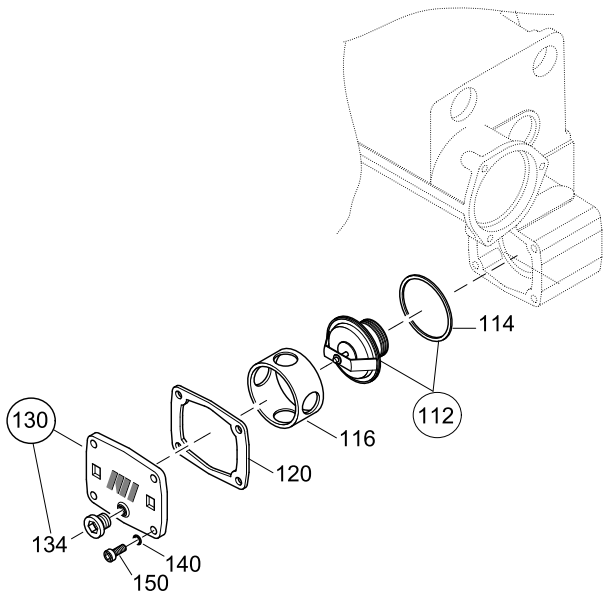
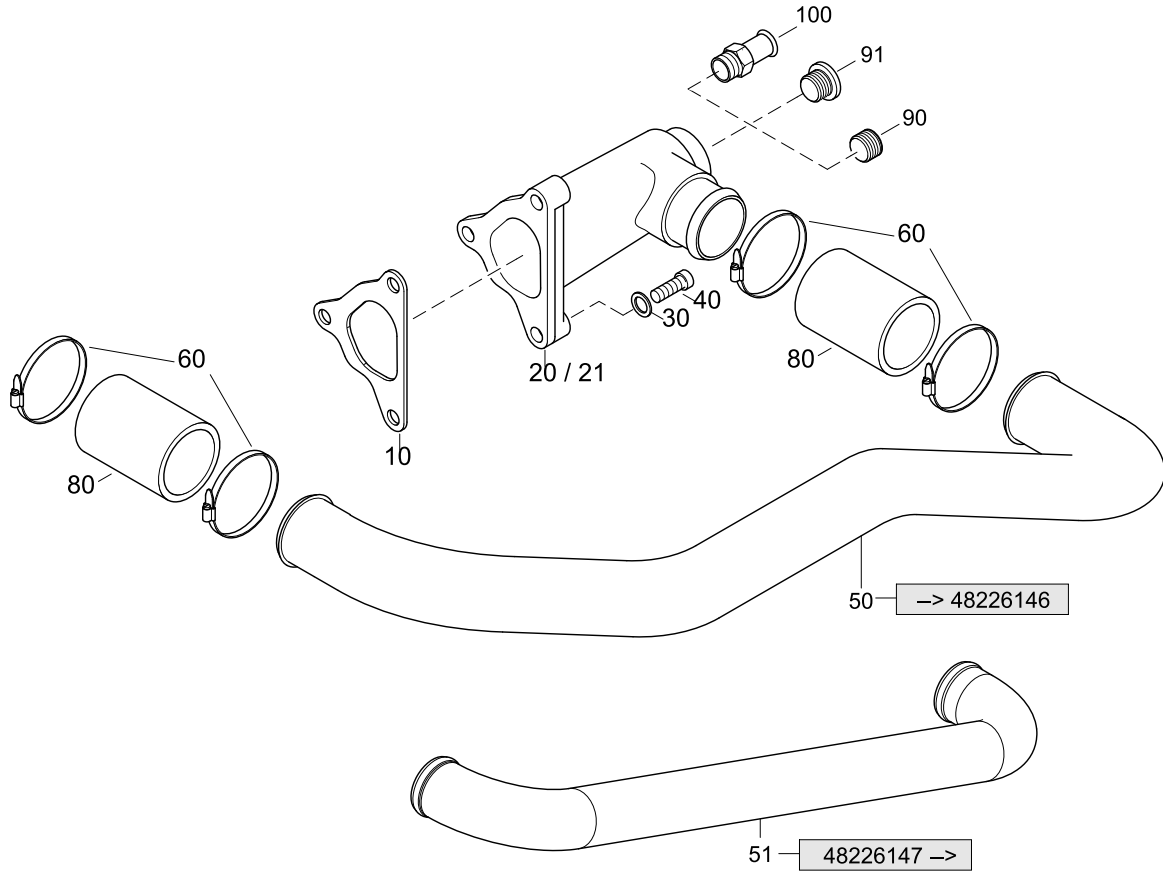


TA 0503

144 MARINE
TURBO DIESEL
+ SOLAS

WATERPIPE, THERMOSTAT

05034084-0





WATERPIPE, THERMOSTAT



05034084-0

Pos.	Part.-No.	Qty	Designation	Step
10	2177572-0	1	GASKET COOLANT MANIFOLD	.2
20	2177571-9	1	MANIF.COOLANT INLET, 1/2-14NPT PAINTED —>48218999	.2
21	2177571-7	1	COOLANT INLET ASSY. M22x1,5 (PAINTED) 48219001—>	.2
30	3932008-0	3	SPRING WASHER DIN 137-B6-FST-A3C	.2
40	3862327-0	3	HEX.SOCK. HD.CAP SCR. DIN 912-M6x25-8.8-A2C	.2
50	2203735-0	1	PIPE ENGINE-COOLANT —>48226146	.2
51	2203735-1	1	PIPE ENGINE-COOLANT 48226147—>	.2
60	2174406-0	4	HOSE CLAMP 25-40/9	.2
80	2177867-0	2	HOSE, ENGINE COOLANT	.2
90	O913564-0	1	SCREW PLUG 1/2-14 NPTF —>48218999	.2
91	9000590-0	1	HEX.SOCK.SCR.PLUG WITH RUBBER SEAL M22x1,5 48219001—>	.2
100	2178607-1	1	HOSE CONNECTOR HEATER —>48218999	.2
112	2173621-1	1	THERMOSTAT WITH SEALING RING 80°C	.2
114	2178414-0	1	SEALING RING THERMOSTAT	..3
116	2178946-0	1	RETAINER THERMOSTAT	.2
120	2178339-0	1	GASKET THERMOSTAT COVER	.2
130	2178204-9	1	COVER, THERMOSTAT HOUSING (PAINTED)	.2
134	9000586-0	1	HEX.SOCK.SCR.PLUG WITH RUBBER SEAL M12x1,5	..3
140	3932008-0	4	SPRING WASHER DIN 137-B6-FST-A3C	.2
150	3862320-0	4	HEX.SOCK. HD.CAP SCR. DIN 912-M6x20-8.8-A2C	.2





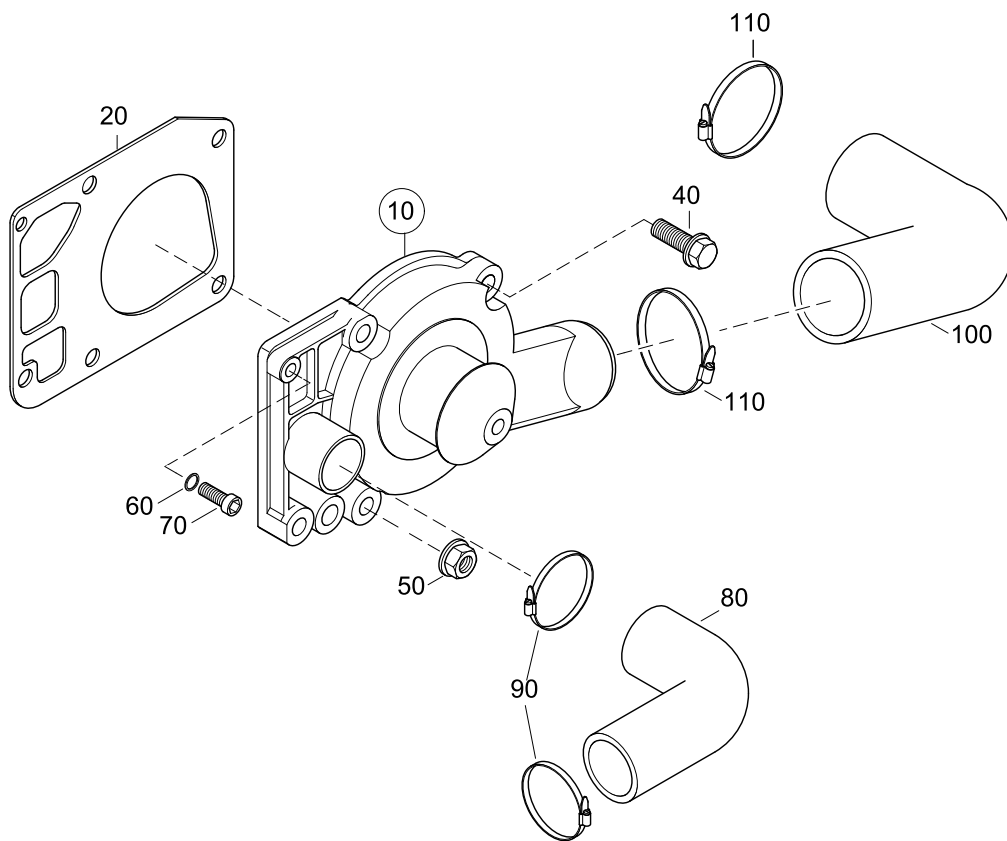
TA 0504



144 MARINE
TURBO DIESEL
+ SOLAS

WATERPUMP

05044084-0





WATERPUMP

144 MARINE
TURBO DIESEL
+ SOLAS

05044084-0

Pos.	Part.-No.	Qty	Designation	Step
10	Z002425-0	1	WATERPUMP ASSY. (PAINTED) INCL. GASKET	.2
20	2177329-2	1	GASKET WATERPUMP-HOUSING	.3
40	9000431-0	4	HEX.FLANGE BOLT EN 1665-M8x30-10.9-DAC	.2
50	9000056-1	1	HEX.FLANGE NUT DIN 6923-M8-8-A2C	.2
60	3932008-0	1	SPRING WASHER DIN 137-B6-FST-A3C	.2
70	3862327-0	1	HEX.SOCK. HD.CAP SCR. DIN 912-M6x25-8.8-A2C	.2
80	2178462-0	1	HOSE-ELBOW 32/90°x 88	.2
90	2174406-0	2	HOSE CLAMP 25-40/9	.2
100	2173812-0	1	HOSE-ELBOW	.2
110	2174407-0	2	HOSE CLAMP 40-60/9	.2



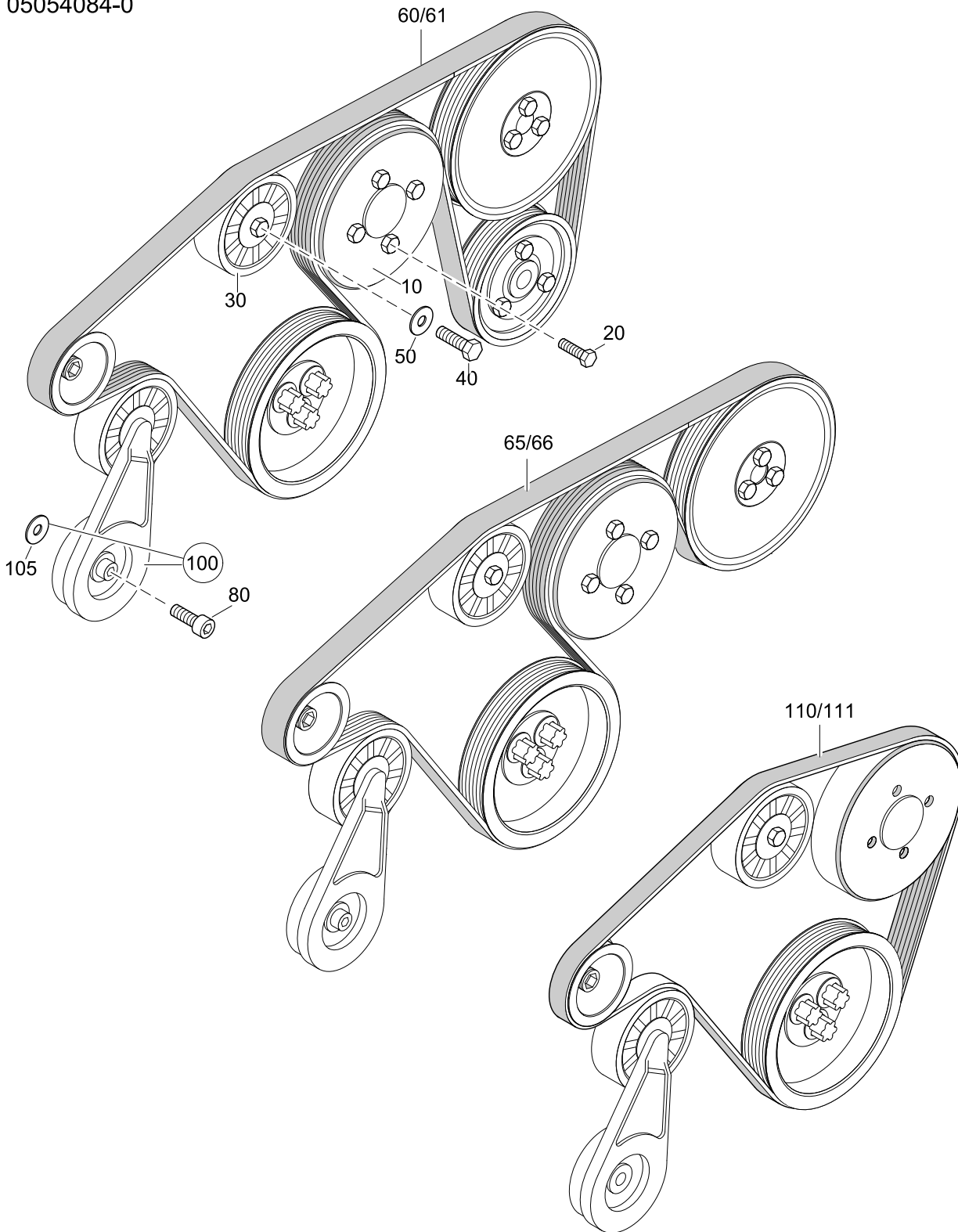


TA 0505

144 MARINE
TURBO DIESEL
+ SOLAS

DRIVE BELTS, PULLEYS, TENSIONER

05054084-0





DRIVE BELTS, PULLEYS, TENSIONER



05054084-0

Pos.	Part.-No.	Qty	Designation	Step
10	2203562-1	1	PULLEY (KTL)	.2
20	9000287-0	4	HEX.FLANGE BOLT EN 1665-M6x12-8.8-A3C	.2
30	2203559-0	1	IDLER PULLEY ASSY.	.2
40	3802527-0	1	HEX.HD.SCR. ISO 4017-M10x30-A4	.2
50	3936107-0	1	WASHER LARGE SERIES ISO 7093-10,5-140HV-A4	.2
60	2203742-0	1	POLY-V BELT L=1855 →482330249	.2
61	2205726-0	1	POLY-V BELT L=1845 482330250→	.2
65	2203742-1	1	POLY-V BELT L=1675 →482330249	.2
66	2204061-0	1	POLY-V BELT L=1660 482330250→	.2
80	3862552-0	1	HEX.SOCK. HD.CAP SCR. ISO 4762-M10x60-8.8-A2C	.2
100	Z002421-0	1	SPARE P. TENSIONER POLY-V BELT	.2
105	9000438-0	1	SHIMRING DIN 988-10x16x0.3	..3
110	2205539-1	1	POLY-V BELT L=1005mm →482330249	.2
111	2204062-0	1	POLY-V BELT L=985 482330250→	.2



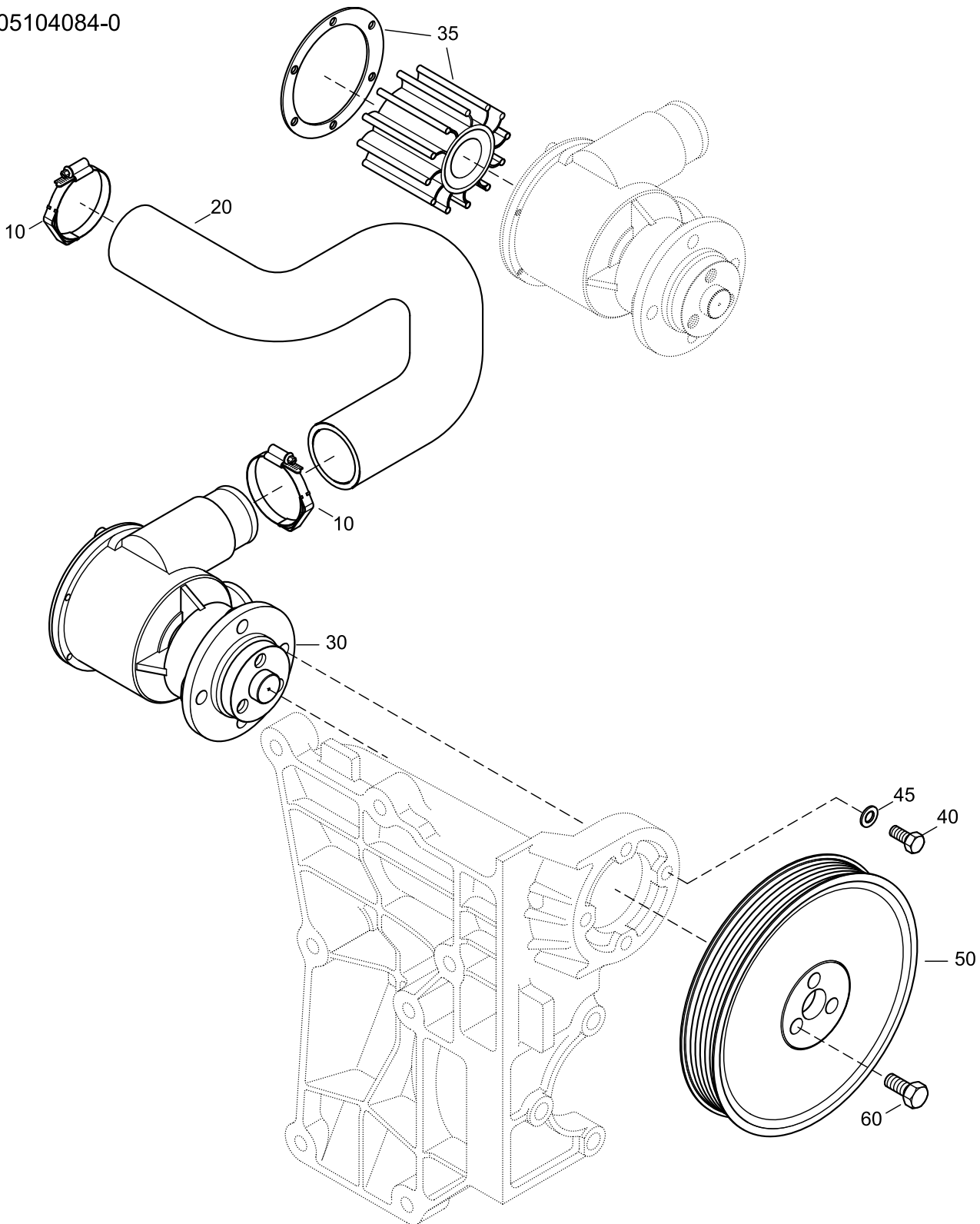


TA 0510

144 MARINE
TURBO DIESEL
+ SOLAS

RAW WATER PUMP

05104084-0



RAW WATER PUMP	144 MARINE <small>TURBO DIESEL</small> + SOLAS
-----------------------	--

05104084-0

Pos.	Part.-No.	Qty	Designation	Step
10	2179044-0	2	HOSE CLAMP WITH SPRING 25-40/9	.2
20	2203768-0	1	HOSE PUMP-TANDEM COOLER	.2
30	2203714-9	1	RAW WATER PUMP (PAINTED)	.2
35	Z011753-2	1	SERVICE KIT, RAW WATER PUMP (WITH GREASE)	.2
40	3800221-0	4	HEX.HD.SCR. ISO 4017-M6x20-A2-70	.2
45	3930070-0	4	WASHER DIN 125-6-140HV-A2	.2
50	2203746-0	1	PULLEY RAW WATER PUMP	.2
60	3860152-0	3	HEX.SOCK. HD.CAP SCR. DIN 912-M8x16-A2-70	.2



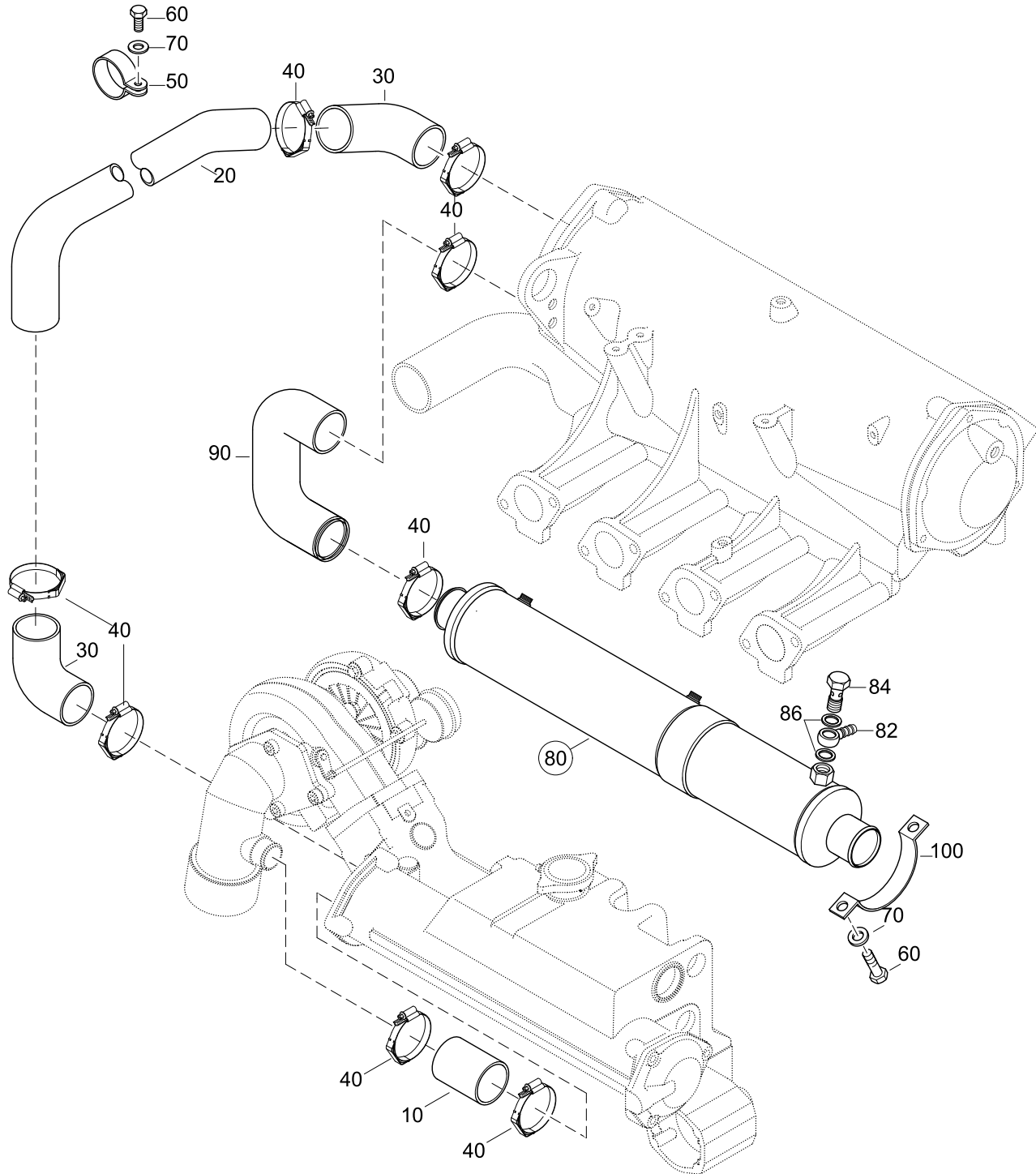


TA 0512

144 MARINE
TURBO DIESEL
+ SOLAS

RAW WATER PIPES, FUEL-OIL COOLER

05124084-0



RAW WATER PIPES, FUEL-OIL COOLER



05124084-0

Pos.	Part.-No.	Qty	Designation	Step
10	2174189-0	1	COOLING WATER HOSE 32/40x50	.2
11	2177759-0	1	COOLANT HOSE 32/40x155 (ONLY MO144M38)	.2
20	2203758-0	1	PIPE ENGINE-COOLANT	.2
30	2173704-0	2	HOSE-ELBOW 32/90°x 58	.2
40	2179044-0	8	HOSE CLAMP WITH SPRING 25-40/9	.2
50	2178446-0	1	PIPE CLAMP 32/15	.2
60	3800233-0	5	HEX.HD.SCR. ISO 4017-M6x16-A2-70	.2
70	3930070-0	5	WASHER DIN 125-6-140HV-A2	.2
80	Z002097-0	1	TANDEM COOLER ASSY. (PAINTED)	.2
82	2174383-1	1	BANJO FITTING DN8 DIN 7642-A2C	.3
84	9000053-0	1	HOLLOW SCREW M14x1,5 DIN 7643-10-DAC A500	.3
86	3098015-0	2	SEALING RING DIN 7603-A14x20-CU	.3
90	2203769-0	1	MOLDED HOSE TDK-INTERCOOLER	.2
100	2203731-0	2	PIPE CLAMP 42/15	.2





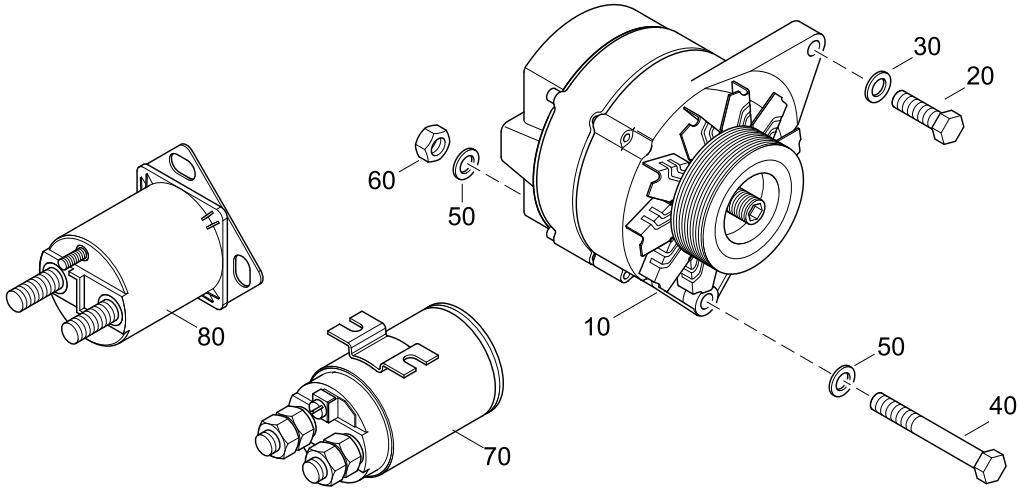
TA 0601

144 MARINE
TURBO DIESEL
+ SOLAS

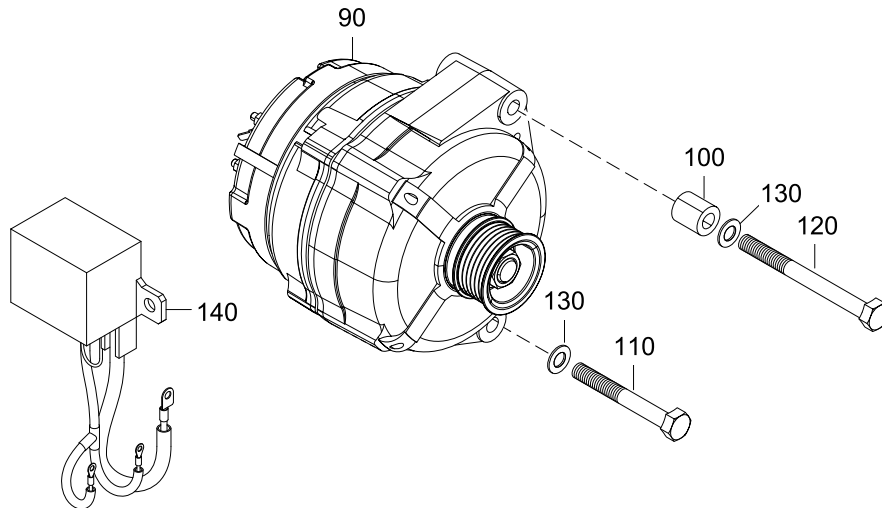
ALTERNATOR

06014084-0

TILL --> 482330249



FROM 482330250 -->





<p align="center">ALTERNATOR</p>	<p>144 MARINE TURBO DIESEL + SOLAS</p>
---	--

06014084-0

Pos.	Part.-No.	Qty	Designation	Step
10	2203713-9	1	ALTERNATOR 14V-90A (PAINTED)	.2
20	3802437-0	1	HEX.HD.SCR. ISO 4017-M8x35-8.8-A2C	.2
30	3930103-0	1	WASHER ISO 7089-8.4-140HV-A2	.2
40	3800575-0	1	HEX.HD.BOLT ISO 4014-M10x130-8.8-A3C	.2
50	3930075-0	2	WASHER ISO 7089 A10.5-140HV-A2	.2
60	3870030-0	1	HEX.NUT ISO 4032-M10-A2-70	.2
70	9000457-0	1	RELAY 12V-150A	.2
80	2206161-0	1	POWER SOLENOID 12V	.2
90	Z026127-0	1	ALTERNATOR ASSY. 14V-120A (PAINTED)	.2
100	2180116-0	1	SLIDING COLLAR	.2
110	3800571-0	1	HEX.HD.BOLT ISO 4014-M10x80-8.8-A3C	.2
120	3800568-0	1	HEX.HD.BOLT ISO 4014-M10x100-8.8-A3C	.2
130	3930271-0	2	WASHER ISO 7089-10-140HV-A3C	.2
140	2204057-0	1	CABLE LOOM 2-POLE	.2



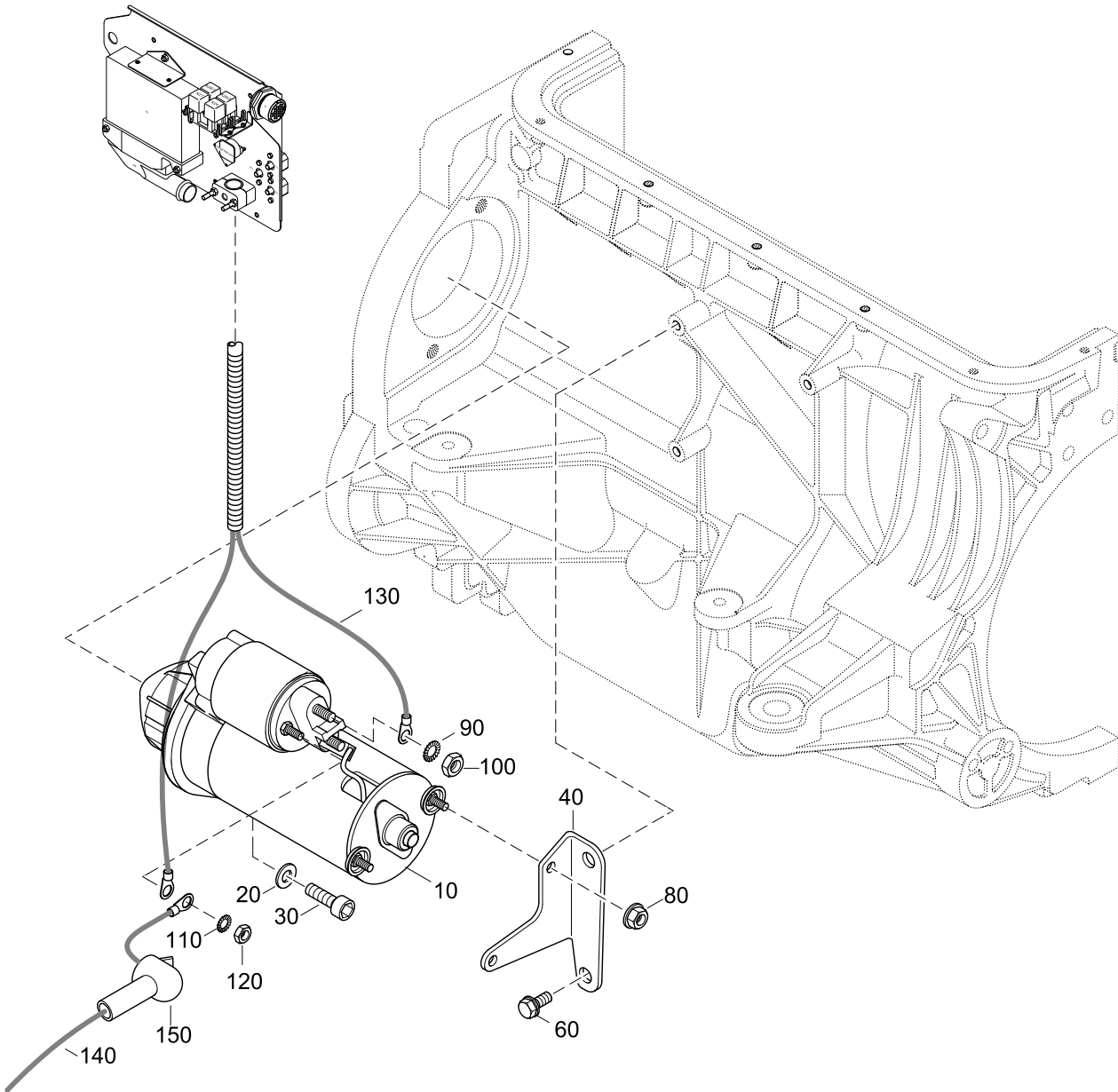


TA 0603

144 MARINE
TURBO DIESEL
+ SOLAS

STARTING

06034084-0





STARTING

144 MARINE
TURBO DIESEL
+ SOLAS

06034084-0

Pos.	Part.-No.	Qty	Designation	Step
10	2040077-8	1	STARTER 12V (PAINTED)	.2
20	3932025-0	2	SPRING WASHER DIN 137-A10-FST-A3C	.2
30	3860149-0	2	HEX.SOCK.HD.CAP SCR. DIN 912-M10x40-8.8-A3C	.2
40	2203730-0	1	BRACKET STARTER	.2
60	9000305-0	2	HEX.FLANGE BOLT EN 1665-M8x20-10.9-DAC	.2
80	3880049-0	2	HEX.FLANGE NUT DIN 6923-M6-A2-70	.2
90	9000013-0	2	TOOTHED LOCK WASHER EXTERNAL DIN 6797-A8.4-1.4310	.2
100	3870045-0	1	HEX.NUT ISO 4032-M8-A2-70	.2
110	9000040-0	1	TOOTHED LOCK WASHER EXTERN. DIN 6797-A5.3-1.4310	.2
120	3870050-0	1	HEX.NUT DIN 934-M5-A2-70	.2
130	Z002167-0	1	HARNES STARTER (SPARE)	.2
140	2206213-0	1	BATTERY CABLE RED	.2
150	O910111-0	1	RUBBER PROTECTION CAP	.2



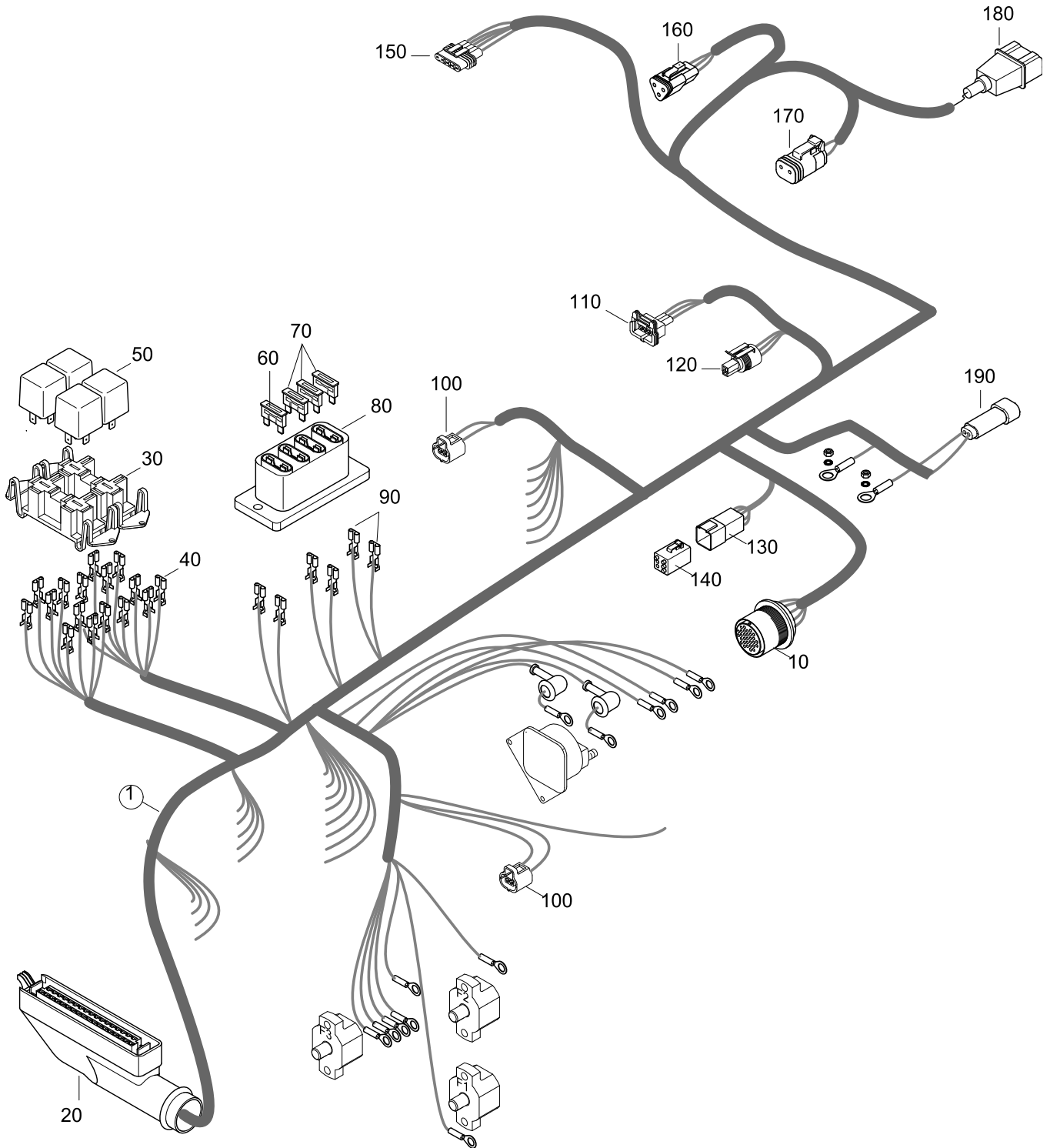


TA 0605

144 MARINE
TURBO DIESEL
+ SOLAS

ENGINE HARNESS
--> 48221066

06054084-0



ENGINE HARNESS --> 48221066	144 MARINE TURBO DIESEL + SOLAS
---------------------------------------	---

06054084-0

Pos.	Part.-No.	Qty	Designation	Step
1	2206207-0	1	ENGINE HARNESS	.2
10	Z002410-0	1	CABLE-PLUG PAIR COMPL. 23-POLE	..3
20	Z002411-0	1	RECEPTACLE COMPL. ECU	..3
30	O334191-0	2	RELAY BRACKET	..3
40	3499650-0	19	RECEPTACLE 6,3-2,5	..3
50	9000183-0	3	RELAY 12V 40A	..3
60	12156	1	FUSE 5A, LIGHTBRAUN	..3
70	11345	3	FUSE 10A, RED	..3
80	2206152-0	1	FUSE CARRIER 4 WAY	..3
90	9000125-0	6	BLADE TERMINAL 6,3x2,5 / 1,5-2,5	..3
100	Z002046-1	2	CONNECTOR COOLANT TEMP. SENSOR	..3
110	Z002412-0	1	PLUG COMPL. REVOLUTION SENSOR	..3
120	Z002413-0	1	CONNECTOR OIL PRESSURE SENSOR	..3
130	Z002415-0	1	PLUG COMPL. DIAGNOSTIC 6 WAY	..3
140	2178729-3	1	DIAGNOSTIC PLUG 6-WAY	..3
150	Z002414-0	1	CONNECTOR POTENTI. ACCELERATOR	..3
160	Z002416-0	1	PLUG POT. CONTROL ROD POSITION 3-POLE	..3
170	Z002417-0	1	PLUG COMPL. CONTROL SOLENOID 2-POLE	..3
180	Z002418-0	1	PLUG ASSY BOOST PRESSURE SENSOR 3-POLE	..3
190	Z002419-0	1	PLUG COMPL. GEAR SWITCH 2 WAY	..3



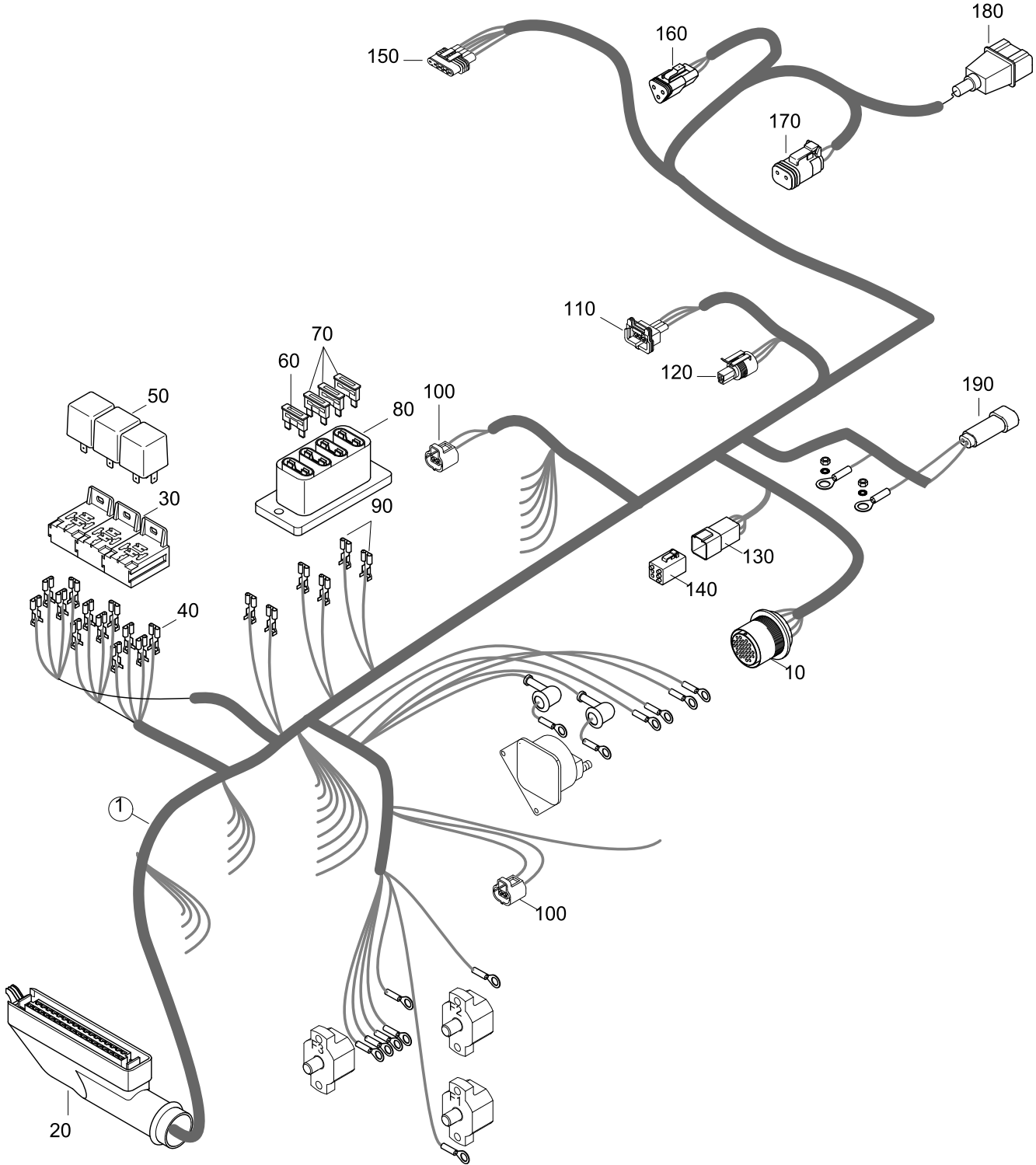


TA 0605

144 MARINE
TURBO DIESEL
+ SOLAS

ENGINE HARNESS
48221067 --> 48226999

06054084-1



ENGINE HARNESS 48221067 --> 48226999	144 MARINE <small>TURBO DIESEL</small> + SOLAS
--	--

06054084-1

Pos.	Part.-No.	Qty	Designation	Step
1	2206207-2	1	ENGINE HARNESS	.2
10	Z002410-0	1	CABLE-PLUG PAIR COMPL. 23-POLE	.3
20	Z002411-0	1	RECEPTACLE COMPL. ECU	.3
30	9000421-0	3	RELAY SOCKET	.3
40	3499650-0	19	RECEPTACLE 6,3-2,5	.3
50	9000183-0	3	RELAY 12V 40A	.3
60	12156	1	FUSE 5A, LIGHTBRAUN	.3
70	11345	3	FUSE 10A, RED	.3
80	2206152-0	1	FUSE CARRIER 4 WAY	.3
90	9000125-0	6	BLADE TERMINAL 6,3x2,5 / 1,5-2,5	.3
100	Z002046-1	2	CONNECTOR COOLANT TEMP. SENSOR	.3
110	Z002412-0	1	PLUG COMPL. REVOLUTION SENSOR	.3
120	Z002413-0	1	CONNECTOR OIL PRESSURE SENSOR	.3
130	Z002415-0	1	PLUG COMPL. DIAGNOSTIC 6 WAY	.3
140	2178729-3	1	DIAGNOSTIC PLUG 6-WAY	.3
150	Z002414-0	1	CONNECTOR POTENTI. ACCELERATOR	.3
160	Z002416-0	1	PLUG POT. CONTROL ROD POSITION 3-POLE	.3
170	Z002417-0	1	PLUG COMPL. CONTROL SOLENOID 2-POLE	.3
180	Z002418-0	1	PLUG ASSY BOOST PRESSURE SENSO R 3-POLE	.3
190	Z002419-0	1	PLUG COMPL. GEAR SWITCH 2 WAY	.3



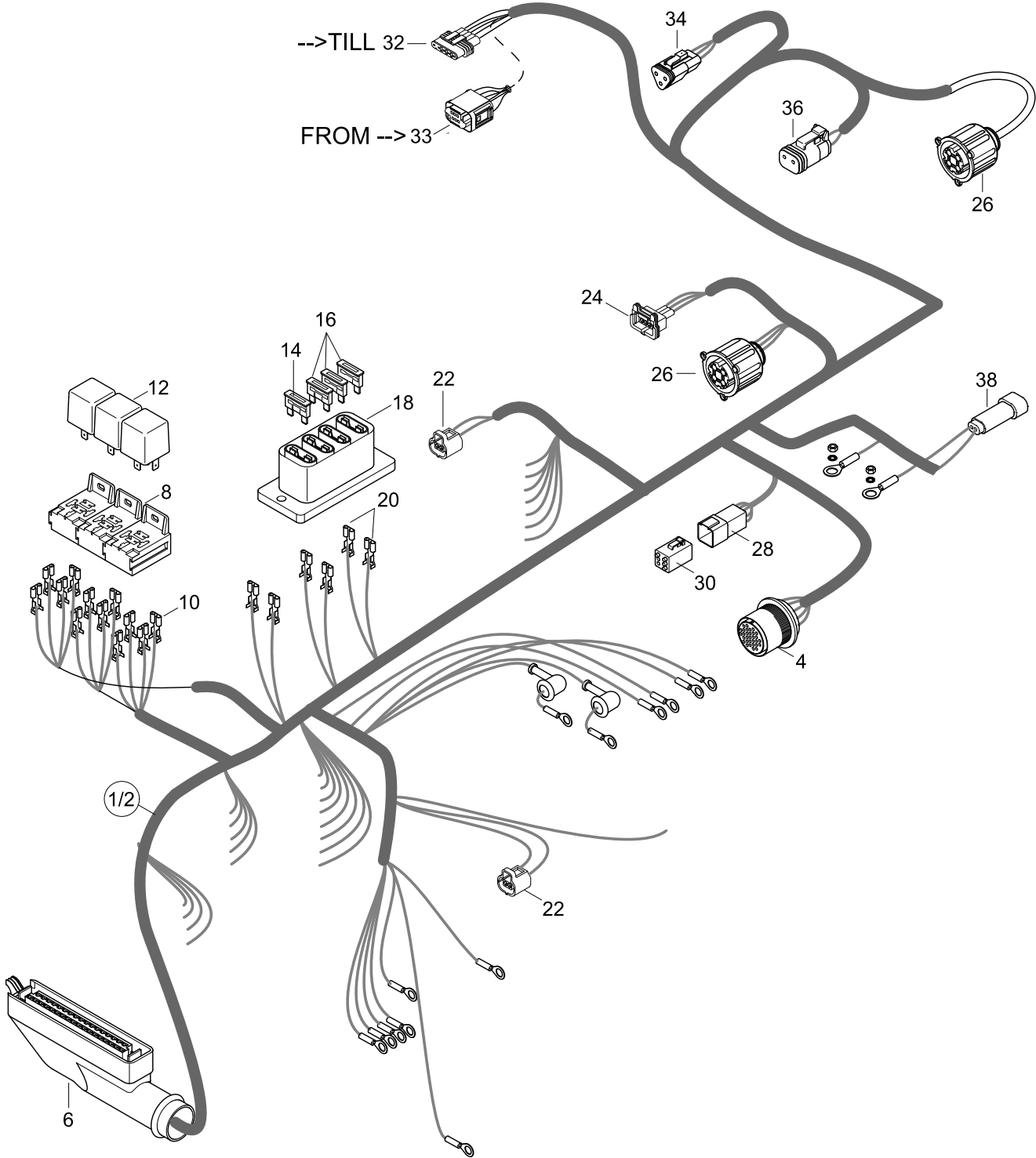


TA 0605

144 MARINE
TURBO DIESEL
+ SOLAS

ENGINE HARNESS
48227001 -->

06054084-2



<p>ENGINE HARNESS 48227001 --></p>	<p>144 MARINE TURBO DIESEL + SOLAS</p>
--	--

06054084-2

Pos.	Part.-No.	Qty	Designation	Step
1	Z002143-0	1	ENGINE HARNESS ASSY. 12V 482270001 —> 482330249	.2
2	Z024016-0	1	ENGINE HARNESS ASSY. 12V 482330250—>	.2
4	Z002410-0	1	CABLE-PLUG PAIR COMPL. 23-POLE	..3
6	Z002411-0	1	CABLE PLUG COMPL. 35-POLE	..3
8	9000421-0	3	RELAY SOCKET	..3
10	3499650-0	19	RECEPTACLE 6,3-2,5	..3
12	9000183-0	3	RELAY 12V 40A	..3
14	12156	1	FUSE 5A, LIGHTBRAUN	..3
16	11345	3	FUSE 10A, RED	..3
18	2206152-0	1	FUSE CARRIER 4 WAY	..3
20	9000125-0	6	BLADE TERMINAL 6,3x2,5 / 1,5-2,5	..3
22	Z002046-1	2	CABLE PLUG COMPL. 2-POLE	..3
24	Z002412-0	1	PLUG COMPLETE 3-POLE	..3
26	Z002139-0	2	PLUG COMPLETE 3-POLE	..3
28	Z002415-0	1	PLUG COMPLETE 6-POLE	..3
30	2178729-3	1	DIAGNOSTIC PLUG 6-WAY	..3
32	Z002414-0	1	PLUG COMPLETE 5-POLE 482270001—>482330249	..3
33	Z002414-2	1	PLUG COMPLETE 6-POLE 482330250—>	..3
34	Z002416-0	1	PLUG COMPLETE 3-POLE	..3
36	Z002417-0	1	PLUG COMPLETE 2-POLE	..3
38	Z002419-0	1	PLUG COMPL. GEAR SWITCH 2 WAY	..3



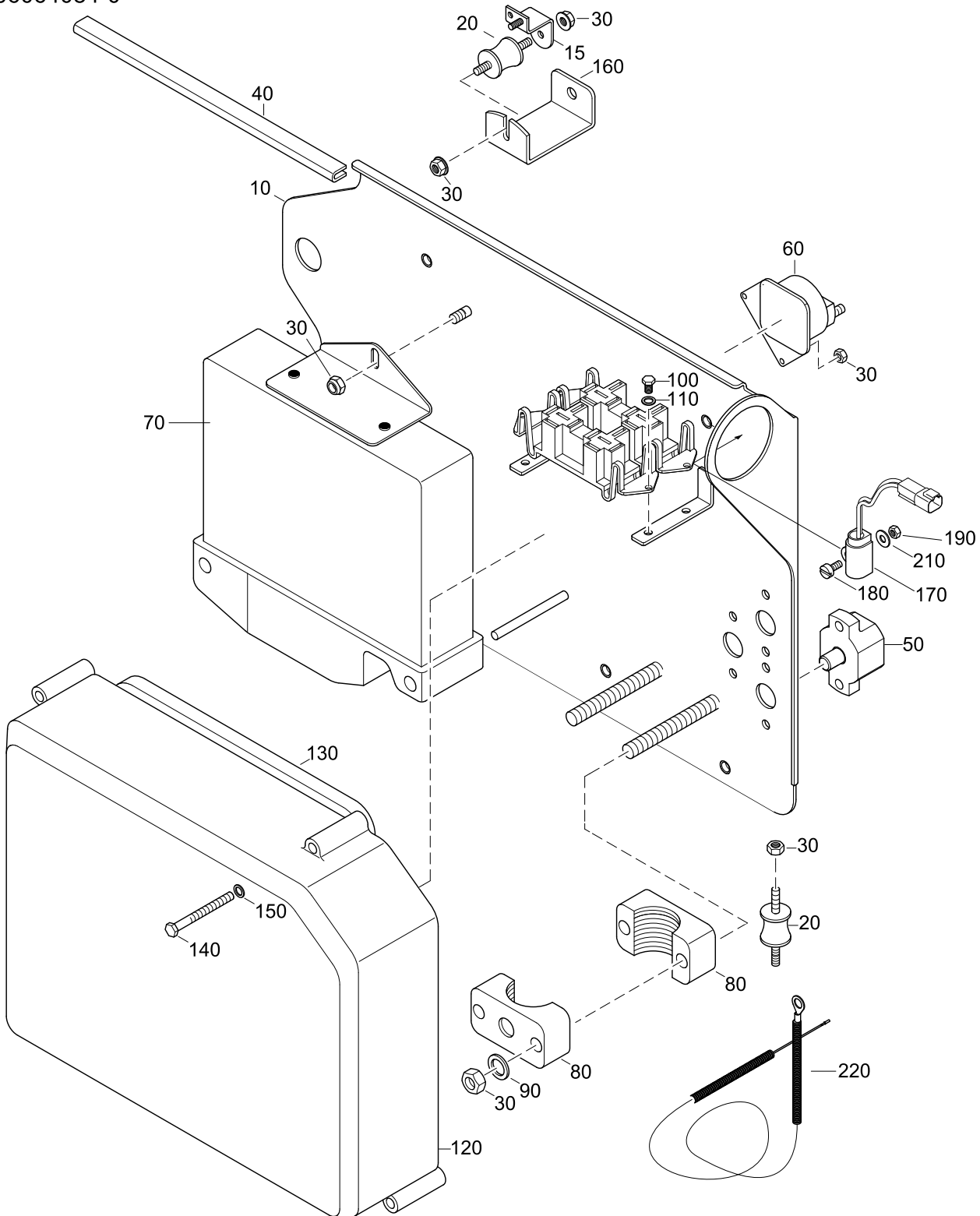


TA 0606

144 MARINE
TURBO DIESEL
+ SOLAS

SECURETYSYSTEM, FUSES, ECU, E-BOX
--> 48221066

06064084-0





**SECURETYSYSTEM, FUSES, ECU, E-BOX
--> 48221066**



06064084-0

Pos.	Part.-No.	Qty	Designation	Step
10	2203723-0	1	BASEPLATE ENGINE ECU	.2
15	2203723-B	2	BRACKET BASEPLATE	.3
20	2203744-0	4	RUBBER MOUNT	.2
30	3880049-0	13	HEX.FLANGE NUT DIN 6923-M6-A2-70	.2
40	2173329-0	0.2	EDGE PROTECTOR	.2
50	O913774-0	3	AUTOMATIC CIRCUIT BREAKER 50A	.2
60	9000187-0	1	SOLENOID STARTER	.2
70	2176821-0	1	ECU 144 VTI 106kW-3800rpm (STANDARD)	.2
80	2203753-0	2	CLAMP, FASTEN ENGINE-HARNESS	.2
90	9000012-0	2	WASHER LARGE SERIES DIN 9021-6.4-140HV-A2	.2
100	2309121-1	4	CROSS REC. RAIS. CH. HD. SCR. DIN 7985-M4x10-4.8-H-A2C	.2
110	3930072-0	4	WASHER LARGE SERIES DIN 9021-4.3-A2	.2
120	2203720-0	1	COVERING, ENGINE ELECTRIC	.2
130	2171410-1	1	SEAL, COVERING ENGINE ELECTRIC	.2
140	9000003-0	5	HEX.SOCK. HD.CAP SCR. DIN 912-M5x55-A2-70	.2
150	3930069-0	5	WASHER ISO 7089-5-200HV-A2	.2
160	2203724-0	2	SUPPORT BASE PLATE	.2
170	2178971-G	1	INVERSION-SWITCH ASSY	.2
180	3800304-0	1	HEX.HD.SCR. ISO 4017-M5x12-A2-70	.2
190	3870050-0	1	HEX.NUT DIN 934-M5-A2-70	.2
210	3930069-0	1	WASHER ISO 7089-5-200HV-A2	.2
220	2178975-0	1	CABLE INVERSION-SWITCH SOLAS	.2



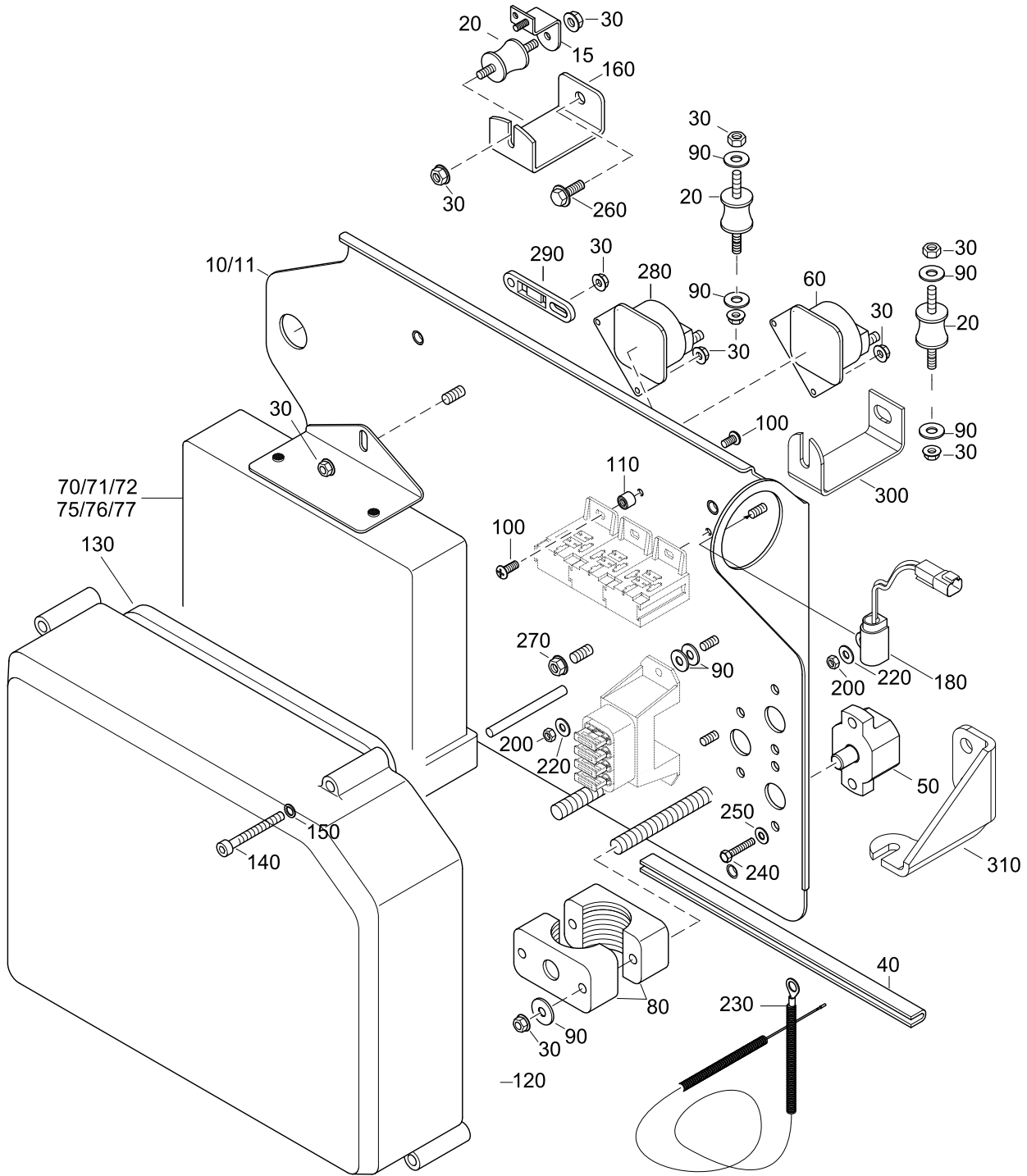


TA 0606

144 MARINE
TURBO DIESEL
+ SOLAS

SECURETSYSTEM, FUSES, ECU, E-BOX
48221067 -->

06064084-1





**SECURETYSYSTEM, FUSES, ECU, E-BOX
48221067 -->**

144 MARINE
TURBO DIESEL
+ SOLAS

06064084-1

Pos.	Part.-No.	Qty	Designation	Step
10	2203723-1	1	BASE PLATE —>482330249	.2
11	2204051-0	1	BASE PLATE 482330250—>	.2
15	2203723-B	1	BRACKET BASEPLATE	..3
20	2203744-0	4	RUBBER MOUNT	.2
30	3880049-0	13	HEX.FLANGE NUT EN 1661-M6-A2-70	.2
40	2173329-0	0.2	EDGE PROTECTOR	.2
50	O913774-0	3	AUTOMATIC CIRCUIT BREAKER 50A	.2
60	9000187-0	1	SOLENOID STARTER	.2
70	2176821-0	1	ECU 144 VTI 106kW-3800rpm —>48226999	.2
71	2176844-3	1	ECU 144 VTI 106kW-3800rpm 48227001—>48228136	.2
72	2176844-6	1	ECU 144 VTI 106kW-3800rpm 48228137—>	.2
75	2176821-6	1	ECU 144 MHI 106kW-3800rpm —>48226999	.2
76	2176844-2	1	ECU 144 MHI 106kW-3800rpm 48227001—>482330249	.2
77	2176844-F	1	ECU 144 MHI 106kW-3800rpm 482330250—>	.2
80	2203753-0	2	CLAMP, FASTEN ENGINE-HARNESS	.2
90	9000012-0	10	WASHER LARGE SERIES ISO 7093-6.4-140HV-A2	.2
100	9000215-1	4	CROSS RECESS PAN HD.SCR. ISO 7045-M5x6-A2-50-H	.2
110	2179004-0	2	SILENT BLOCK M5	.2
120	2203720-0	1	COVERING, ENGINE ELECTRIC	.2
130	2171410-1	1	SEAL, COVERING ENGINE ELECTRIC	.2
140	9000003-0	5	HEX.SOCK. HD.CAP SCR. ISO 4762-M5x55-A2-70	.2
150	3930069-0	5	WASHER ISO 7089-5-200HV-A2	.2
160	2203724-0	2	SUPPORT BASE PLATE	.2
180	2178971-G	1	INVERSION-SWITCH ASSY	.2
200	3870050-0	3	HEX.NUT ISO 4032-M5-A2-70	.2
220	3930069-0	3	WASHER ISO 7089-5-200HV-A2	.2
230	2178975-0	1	CABLE INVERSION-SWITCH SOLAS	.2
240	9000424-0	6	HEX.HD.SCR. ISO 4017-8/32UNCx20-A2-70	.2
250	3930072-0	6	WASHER LARGE SERIES ISO 7093-4.3-A2	.2
260	9000305-0	2	HEX.FLANGE BOLT EN 1665-M8x20-10.9-DAC	.2
270	3880049-0	1	HEX.FLANGE NUT EN 1661-M6-A2-70	.2



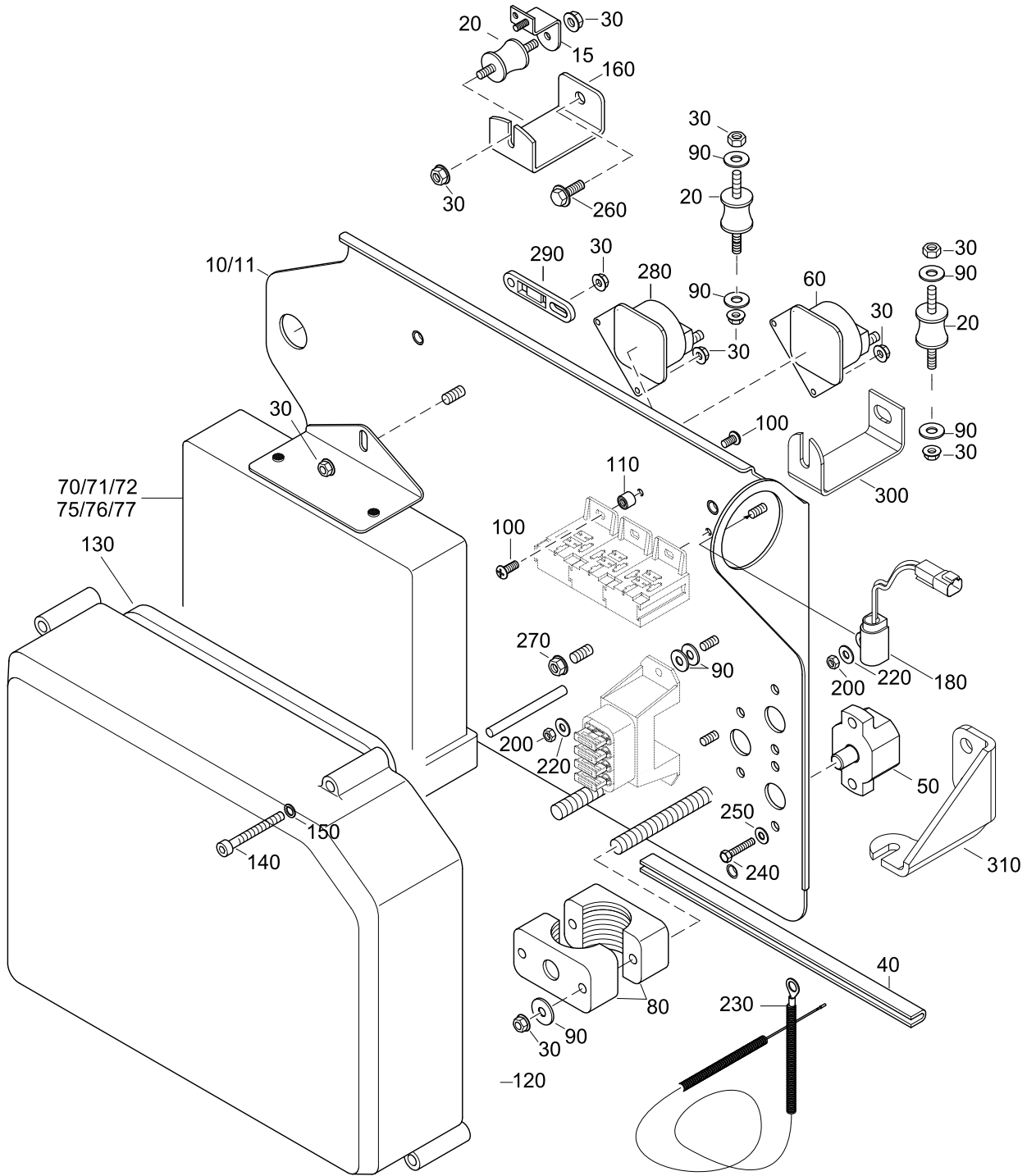


TA 0606

144 MARINE
TURBO DIESEL
+ SOLAS

SECURETSYSTEM, FUSES, ECU, E-BOX
48221067 -->

06064084-1



**SECURETYSYSTEM, FUSES, ECU, E-BOX
48221067 -->**

144 MARINE
TURBO DIESEL
+ SOLAS

06064084-1

Pos.	Part.-No.	Qty	Designation	Step
280	2206161-0	1	POWER SOLENOID 12V	.2
290	2178870-0	1	FIXTURE, CABLE TIE	.2
300	2204060-0	1	SUPPORT BASE PLATE (NEW FROM 482330250—>	.2
310	2204052-0	1	BRACKET, E-BOX (NEW FROM 482330250—>	.2



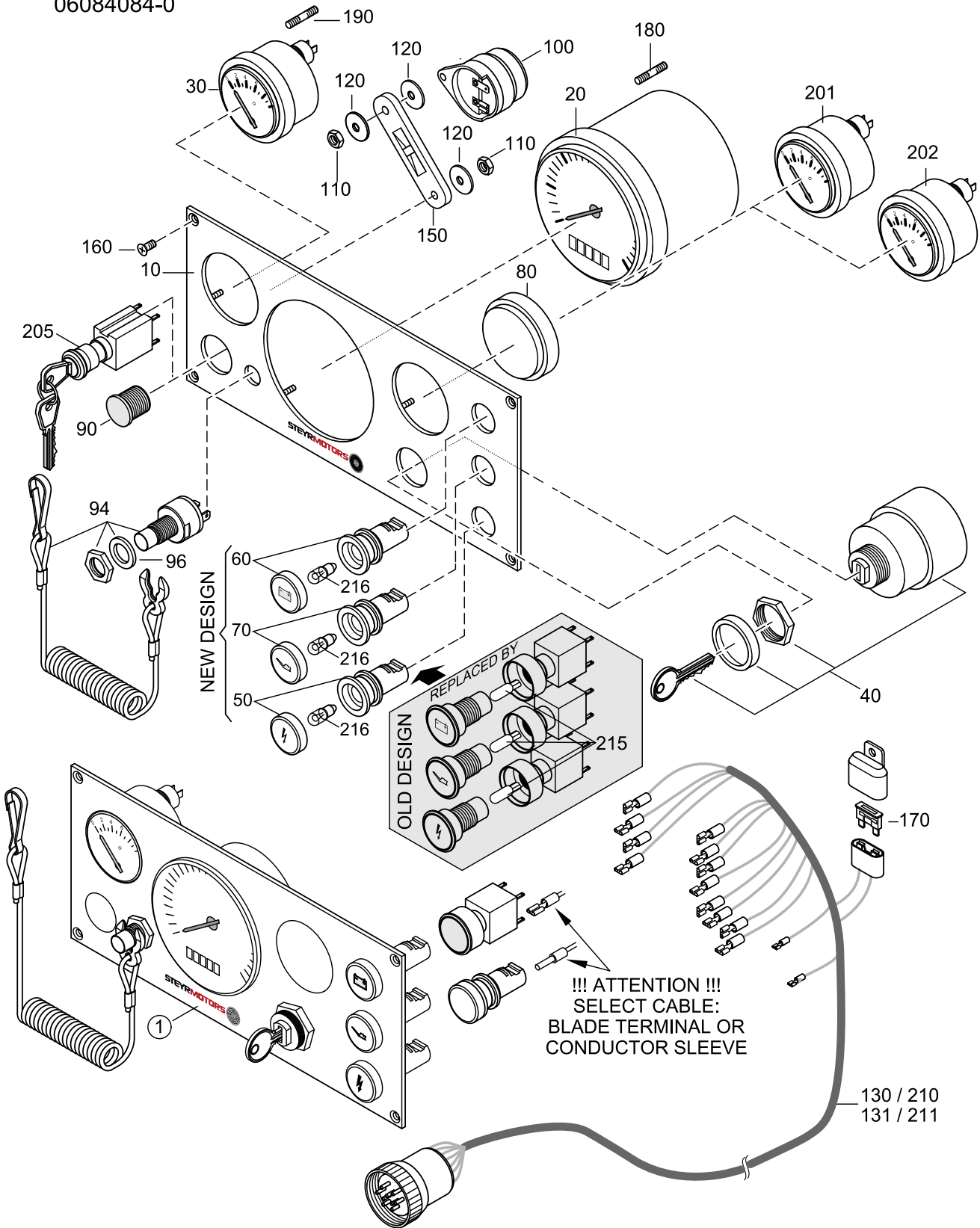


TA 0608

144 MARINE
TURBO DIESEL
+ SOLAS

INSTRUMENTPANEL (STANDARD)
TILL -->2010

06084084-0





**INSTRUMENTPANEL (STANDARD)
TILL -->2010**

144 MARINE
TURBO DIESEL
+ SOLAS

06084084-0

Pos.	Part.-No.	Qty	Designation	Step
1	Z002635-0	1	SPARE PANEL ASSY. (ALTERN. ISKRA)	.2
10	2178831-3	1	INSTRUMENT PANEL	..3
20	2178756-3	1	REVOLU. & OPERA. HOUR COUNTER	..3
30	2178229-2	1	COOLANT TEMPERATURE GAUGE	..3
40	2178761-4	1	GLOW-START SWITCH ASSY.(SPARE)	..3
50	2179290-0	1	WARNING-LIGHT CHECK ENGI. ASSY	..3
60	2179291-0	1	WARNING-LIGHT BATTERY CHARGE ASSY. 12V	..3
70	2179292-0	1	WARNING-LIGHT ENGINE-OIL ASSY.	..3
80	2178759-2	1	BLIND COVER	..3
90	2179320-0	1	BLIND PLUG, BLACK	..3
94	Z002073-0	1	EMERGENCY CUTOFF SWITCH KIT	..3
96	2176170-0	1	O-RING 15 x 2	..3
100	2178760-1	1	HORN AUDIBLE WARNING	..3
110	3870051-0	2	HEX.NUT ISO 4032-M4-A2-70	..3
120	3930072-0	2	WASHER LARGE SERIES DIN 9021-4.3-A2	..3
130	2206290-1	1	CABLE ASSY. INSTRUMENT 7m (BLADE TERMINAL)	..3
131	Z002669-0	1	CABLE ASSY. INSTRUMENT 7m (CONDUCTOR SLEEVE) SPARE PART	..3
160	9000192-0	4	CR.REC.COUNT.SUNK HD.TPG.SCR. ISO 7050-ST3.5x16	..3
170	11345	1	FUSE 10A, RED	..3
190	2206167-1	1	STUD	..3
201	2178227-2	1	OIL PRESSURE GAUGE 10 BAR (ACCESSORY)	.2
202	2178231-1	1	VOLTMETER 12V (ACCESSORY)	.2
205	2178761-2	1	KEY-SWITCH CONSTANT REVOLUTION (ACCESSORY)	.2
210	2206290-4	1	CABLE ASSY. INSTRUMENT 1,5m (BLADE TERMINAL)	.2
211	Z002670-0	1	CABLE ASSY. INSTRUMENT 1.5m (CONDUCTOR SLEEVE) SPARE PART	.2
215	2178242-4	3	GLASS SOCKET LAMP 12V 2W x 4,6D (OLD DESIGN)	.2
216	2179162-0	3	MINIATUR LAMP 12V/2W 10x28 (NEW DESIGN)	.2





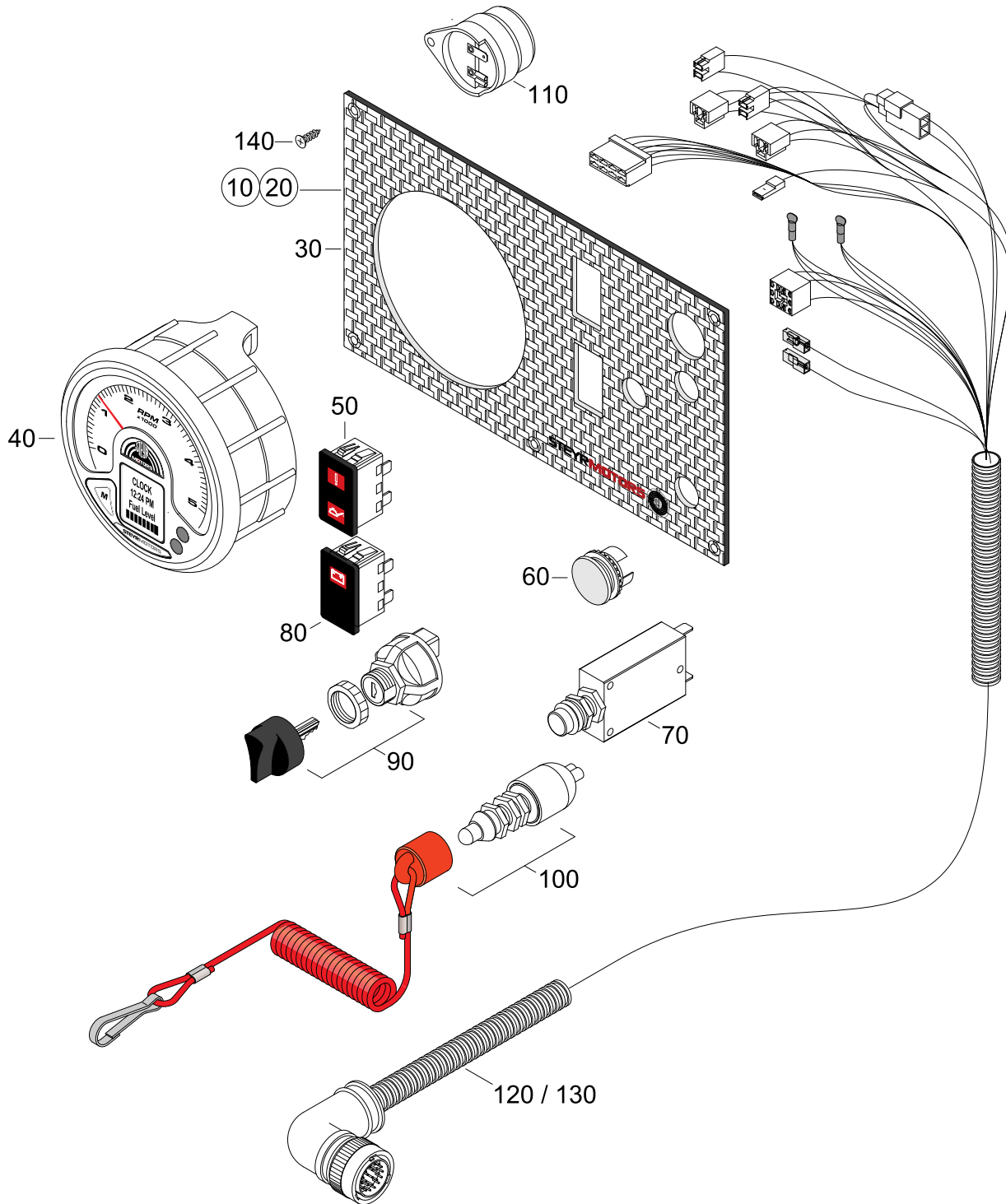
TA 0607



144 MARINE
TURBO DIESEL
+ SOLAS

**INSTRUMENTPANEL (STANDARD)
FROM 2010-->**

06072184-1



**INSTRUMENTPANEL (STANDARD)
FROM 2010-->**

144 MARINE
TURBO DIESEL
+ SOLAS

06072184-1

Pos.	Part.-No.	Qty	Designation	Step
10	2179963-0	1	INSTR. PANEL ASSY. (LED) 12V 7m	.2
20	2179965-0	1	INSTR.PANEL ASSY. (LED) 12V 1,5m	.2
30	2179981-0	1	FRONT PLATE, INSTRUMENT PANEL - STANDARD	..3
40	2179971-0	1	REVOLUTIONCOUNTER	..3
50	Z002196-0	1	WARNING LED, CHECK ENGINE & OIL PRESSURE	..3
60	2179320-0	1	BLIND PLUG, BLACK	..3
70	Z002180-0	1	THERMO PROTECTION SWITCH ASSY.	..3
80	Z002197-0	1	WARNING LED, BATTERY CHARGE	..3
90	2179975-0	1	GLOW-START SWITCH	..3
100	2179978-0	1	EMERGENCY CUTOFF SWITCH	..3
110	2178760-1	1	HORN AUDIBLE WARNING	..3
120	2180073-0	1	CABLE ASSY. INSTRUMENT 7m	..3
130	2180075-0	1	CABLE ASSY. INSTRUMENT 1,5m	..3
140	9000817-0	6	CR.REC.COUNT.SUNK HD.TPG.SCR. 3.5x16	..3



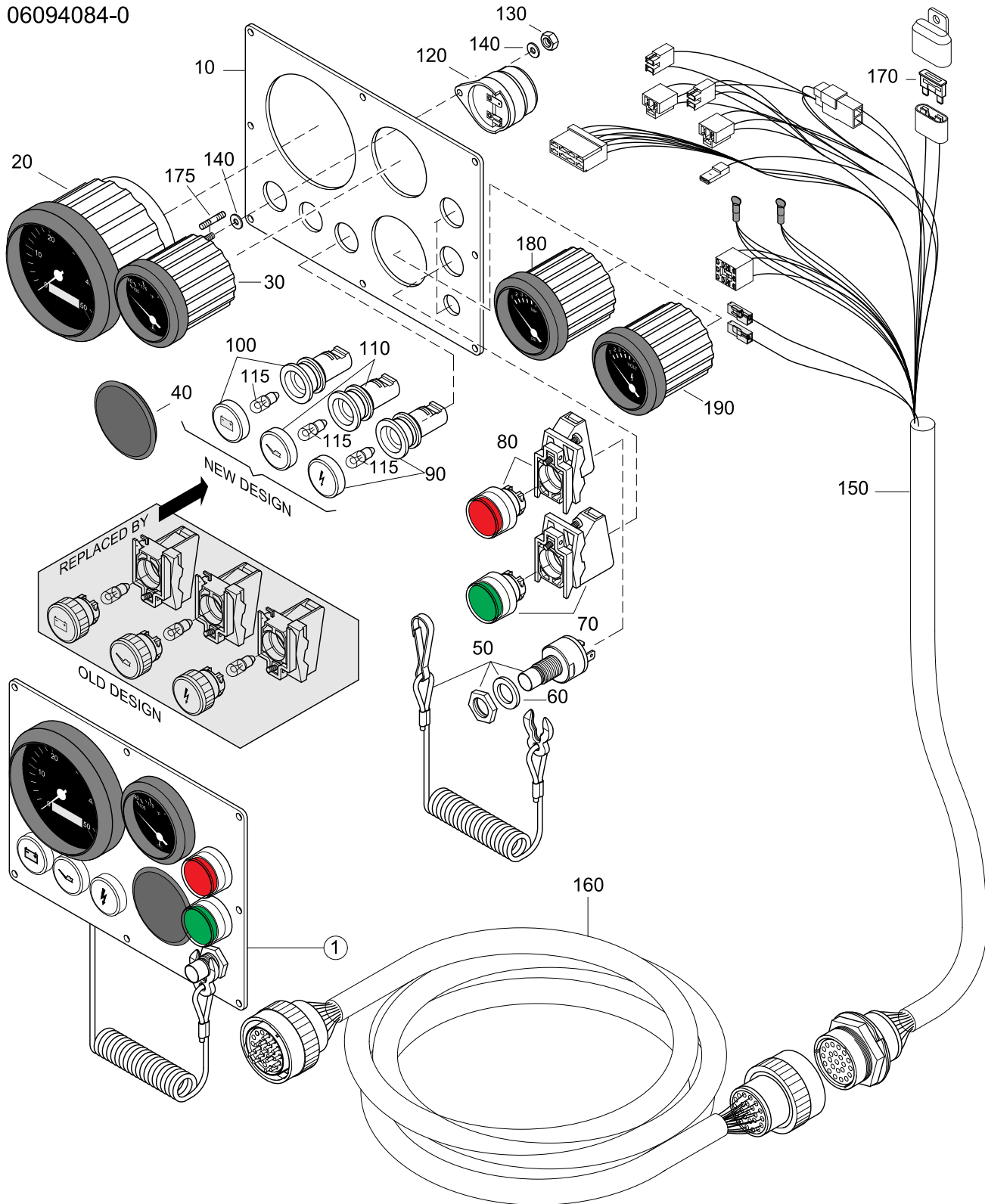


TA 0609

144 MARINE
TURBO DIESEL
+ SOLAS

INSTRUMENTPANEL SOLAS (STANDARD)
TILL -->2010

06094084-0



**INSTRUMENTPANEL SOLAS (STANDARD)
TILL -->2010**

144 MARINE
TURBO DIESEL
+ SOLAS

06094084-0

Pos.	Part.-No.	Qty	Designation	Step
1	Z002122-0	1	SPARE PANEL ASSY. SOLAS (ALTERN. ISKRA)	.2
10	2178831-4	1	INSTRUMENT PANEL SOLAS	..3
20	2178756-3	1	REVOLU. & OPERA. HOUR COUNTER	..3
30	2178229-2	1	COOLANT TEMPERATURE GAUGE	..3
40	2178759-2	1	BLIND COVER	..3
50	Z002073-0	1	EMERGENCY CUTOFF SWITCH KIT	..3
60	2176170-0	1	O-RING 15 x 2	..3
70	2179294-0	1	SWITCH ASSY. START GREEN	..3
80	2179293-5	1	IGNITION SWITCH RED ASSY.	..3
90	2179290-0	1	WARNING-LIGHT CHECK ENGI. ASSY	..3
100	2179291-0	1	WARNING-LIGHT BATTERY CHARGE ASSY. 12V	..3
110	2179292-0	1	WARNING-LIGHT ENGINE-OIL ASSY.	..3
115	2179262-0	3	INVERTER/CHARGER 2500W/12VDC 130A/220V/50Hz	..3
120	2178760-1	1	HORN AUDIBLE WARNING	..3
130	3870051-0	2	HEX.NUT ISO 4032-M4-A2-70	..3
140	3930072-0	2	WASHER LARGE SERIES DIN 9021-4.3-A2	..3
150	Z002671-0	1	CABLE ASSY. INSTR. 1.5m SOLAS (SPARE PART)	..3
160	2206291-1	1	INTERMEDIATE CABLE 5m SAME 23-WAY CON.	..3
170	11345	1	FUSE 10A, RED	..3
175	2206167-1	1	STUD	..3
180	2178227-2	1	OIL PRESSURE GAUGE 10 BAR (ACCESSORY)	.2
190	2178231-1	1	VOLTMETER 12V (ACCESSORY)	.2



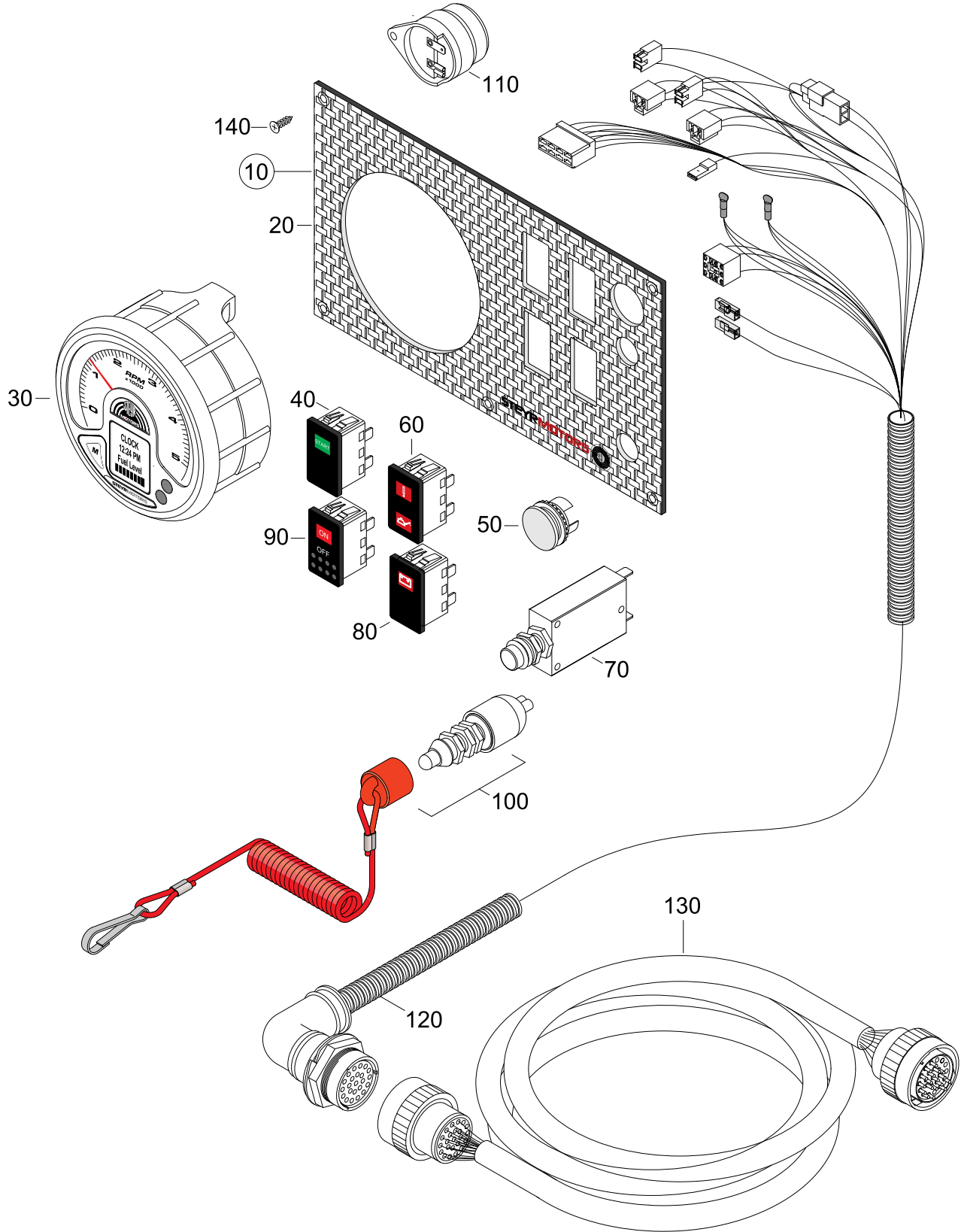


TA 0609

144 MARINE
TURBO DIESEL
+ SOLAS

**INSTRUMENTPANEL SOLAS (STANDARD)
FROM 2010-->**

06092184-1



**INSTRUMENTPANEL SOLAS (STANDARD)
FROM 2010-->**

144 MARINE
TURBO DIESEL
+ SOLAS

06092184-1

Pos.	Part.-No.	Qty	Designation	Step
10	2179964-0	1	INSTRUMENT PANEL ASSY. (LED) 12V SOLAS	.2
20	2179982-0	1	FRONT PLATE, INSTRUMENT PANEL - SOLAS	..3
30	2179971-0	1	REVOLUTIONCOUNTER	..3
40	Z002198-0	1	START SWITCH, GREEN	..3
50	2179320-0	1	BLIND PLUG, BLACK	..3
60	Z002196-0	1	WARNING LED, CHECK ENGINE & OIL PRESSURE	..3
70	Z002180-0	1	THERMO PROTECTION SWITCH ASSY.	..3
80	Z002197-0	1	WARNING LED, BATTERY CHARGE	..3
90	Z002199-0	1	IGNITION SWITCH	..3
100	2179978-0	1	EMERGENCY CUTOFF SWITCH	..3
110	2178760-1	1	HORN AUDIBLE WARNING	..3
120	2180074-0	1	CABLE ASSY. INSTRUMENT	..3
130	2206291-1	1	INTERMEDIATE CABLE 5m	..3
140	9000817-0	6	CR.REC.COUNT.SUNK HD.TPG.SCR. 3.5x16	..3



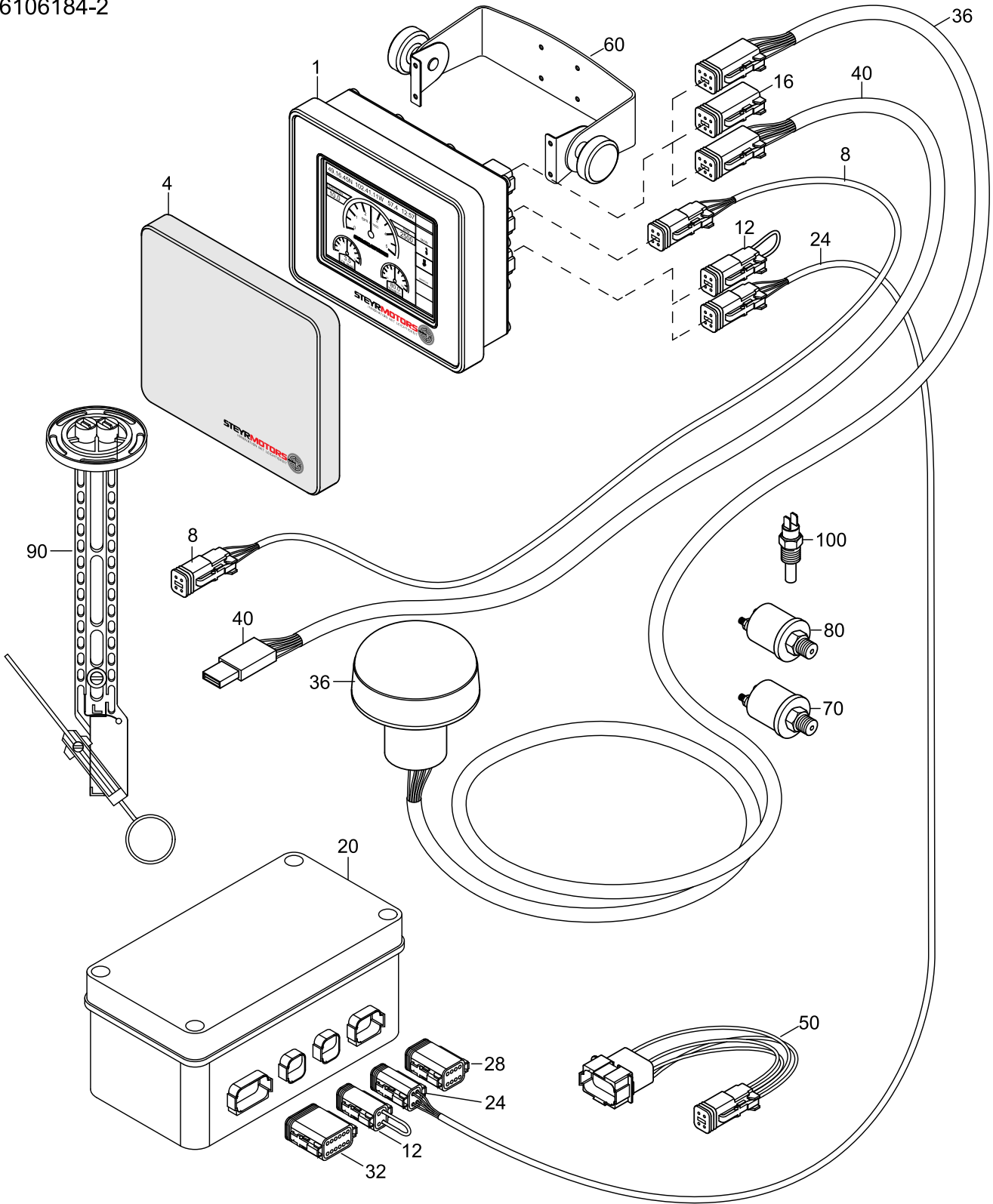


TA 0610

144 MARINE
TURBO DIESEL
+ SOLAS

**DISPLAY
(ACCESSORY)**

06106184-2



DISPLAY (ACCESSORY)	144 MARINE TURBO DIESEL + SOLAS
--------------------------------	---

06106184-2

Pos.	Part.-No.	Qty	Designation	Step
1	Z002132-0	1	STEYR CONTROL CENTER (SPARE PART)	.2
4	2179637-0	1	PROTECTIVE COVERING - SCC	.3
8	2206313-0	1	CONNECTING CABLE SCC->PANEL (4-POLE)	.3
12	2206314-0	1	CONNECTOR CAN-TERMINATOR (4-POLE)	.3
16	2179638-0	1	DUMMY PLUG 6-POLE	.3
20	2179156-2	1	I/O BOX	.2
24	2206315-0	1	CONNECTING CABLE I/O BOX -> SCC (4-POLE)	.3
28	2179639-0	1	DUMMY PLUG 8-POLE	.3
32	2179640-0	1	DUMMY PLUG 12-POLE	.3
36	2179641-0	1	GPS-SENSOR ASSY	.2
40	2179607-0	1	SCC CONFIGURATIONS CABLE 1,8m USB 2.0	.2
50	2179636-0	1	ADAPTER CABLE SPORTLINE TO SCC (8-POLE TO 4-POLE)	.2
60	Z002177-0	1	KIT MOUNTING BRACHETS F. SCC	.2
70	Z002640-0	1	OIL PRESSURE SENSOR 2-POLE (ACCESSORY)	.2
80	2179519-0	1	OIL PRESSURE SENSOR ZF-GEARBOX	.2
90	2179331-0	1	FUEL TANK SENSOR	.2
100	2179520-0	1	TEMPERATURE SENSOR, GEARBOX OIL	.2

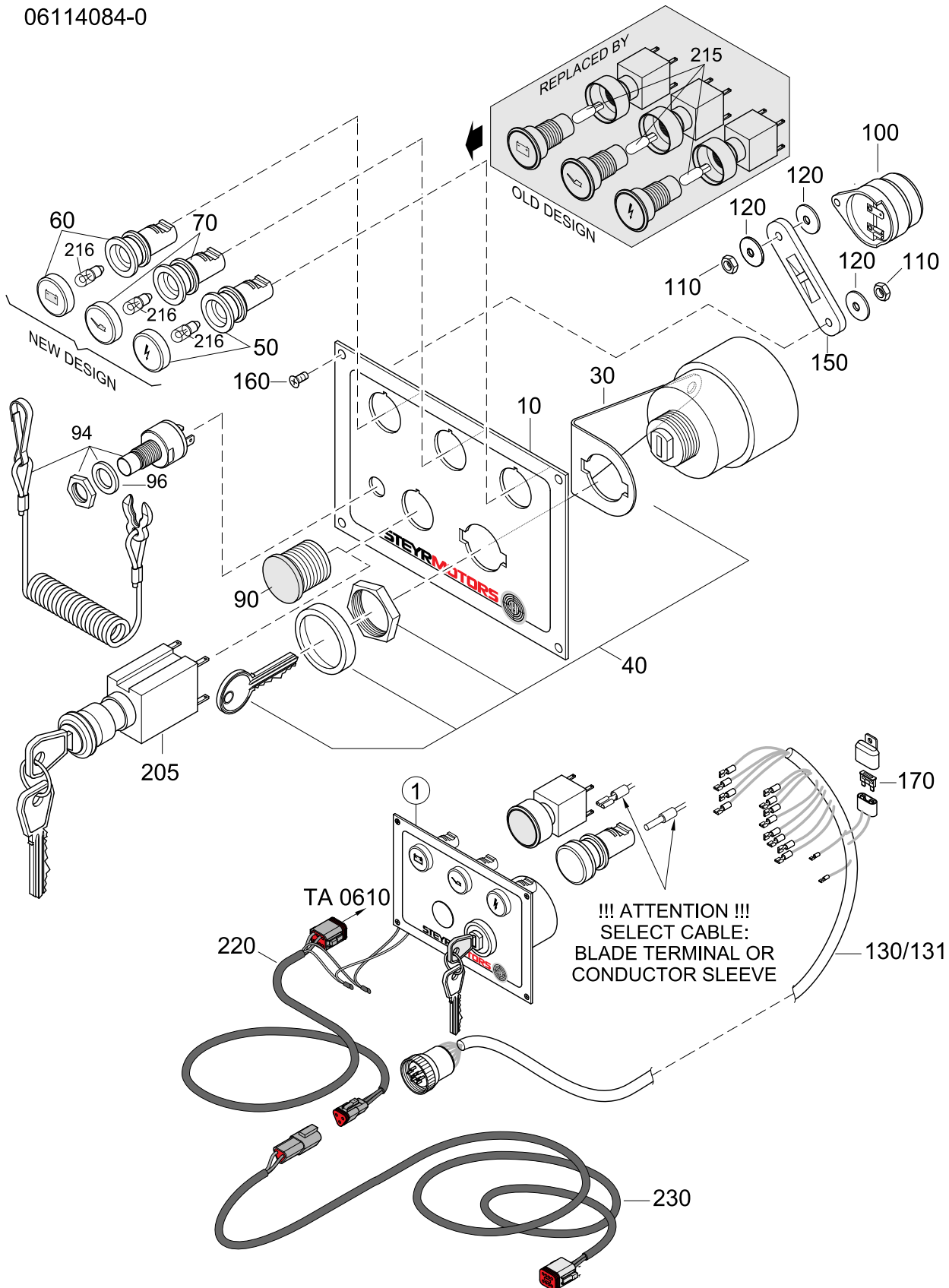


TA 0611

144 MARINE
TURBO DIESEL
+ SOLAS

**SWITCH PANEL FOR DISPLAY
TILL -->2010**

06114084-0



**SWITCH PANEL FOR DISPLAY
TILL -->2010**

144 MARINE
TURBO DIESEL
+ SOLAS

06114084-0

Pos.	Part.-No.	Qty	Designation	Step
1	Z002123-0	1	SWITCH PANEL ASSY. (ALTERN. ISKRA)	.2
10	2179134-1	1	INSTRUMENT PANEL	..3
30	2179173-0	1	SHACKLE STRAIN RELIEF, PANEL (NEW DESIGN)	..3
40	2178761-4	1	GLOW-START SWITCH ASSY. (SPARE)	..3
50	2179290-0	1	WARNING-LIGHT CHECK ENGI. ASSY	..3
60	2179291-0	1	WARNING-LIGHT BATTERY CHARGE ASSY. 12V	..3
70	2179292-0	1	WARNING-LIGHT ENGINE-OIL ASSY.	..3
90	2179320-0	1	BLIND PLUG, BLACK	..3
94	Z002073-0	1	EMERGENCY CUTOFF SWITCH KIT	..3
96	2176170-0	1	O-RING 15 x 2	..3
100	2178760-1	1	HORN AUDIBLE WARNING	..3
110	3870051-0	4	HEX.NUT ISO 4032-M4-A2-70	..3
120	3930072-0	6	WASHER LARGE SERIES DIN 9021-4.3-A2	..3
130	2206290-1	1	CABLE ASSY. INSTRUMENT 7m (BLADE TERMINAL)	..3
131	Z002669-0	1	CABLE ASSY. INSTRUMENT 7m (CONDUCTOR SLEEVE) SPARE PART	..3
150	2178870-1	1	FIXTURE, CABLE TIE (OLD DESIGN)	..3
160	9000192-0	4	CR.REC.COUNT.SUNK HD.TPG.SCR. ISO 7050-ST3.5x16	..3
170	11345	1	FUSE 10A, RED	..3
205	2178761-2	1	KEY-SWITCH CONSTANT REVOLUTION (ACCESSORY)	..3
215	2178242-4	3	GLASS SOCKET LAMP 12V 2W x 4,6D (OLD DESIGN)	..3
216	2179162-0	3	MINIATUR LAMP 12V/2W 10x28 (NEW DESIGN)	..3
220	Z002131-0	1	CONNECTING CABLE-CANBUS (SPARE) WITH CONNECTOR	.2
230	2179150-1	1	INTERMEDIATE CABLE - CANBUS WITH CONNECTOR	.2



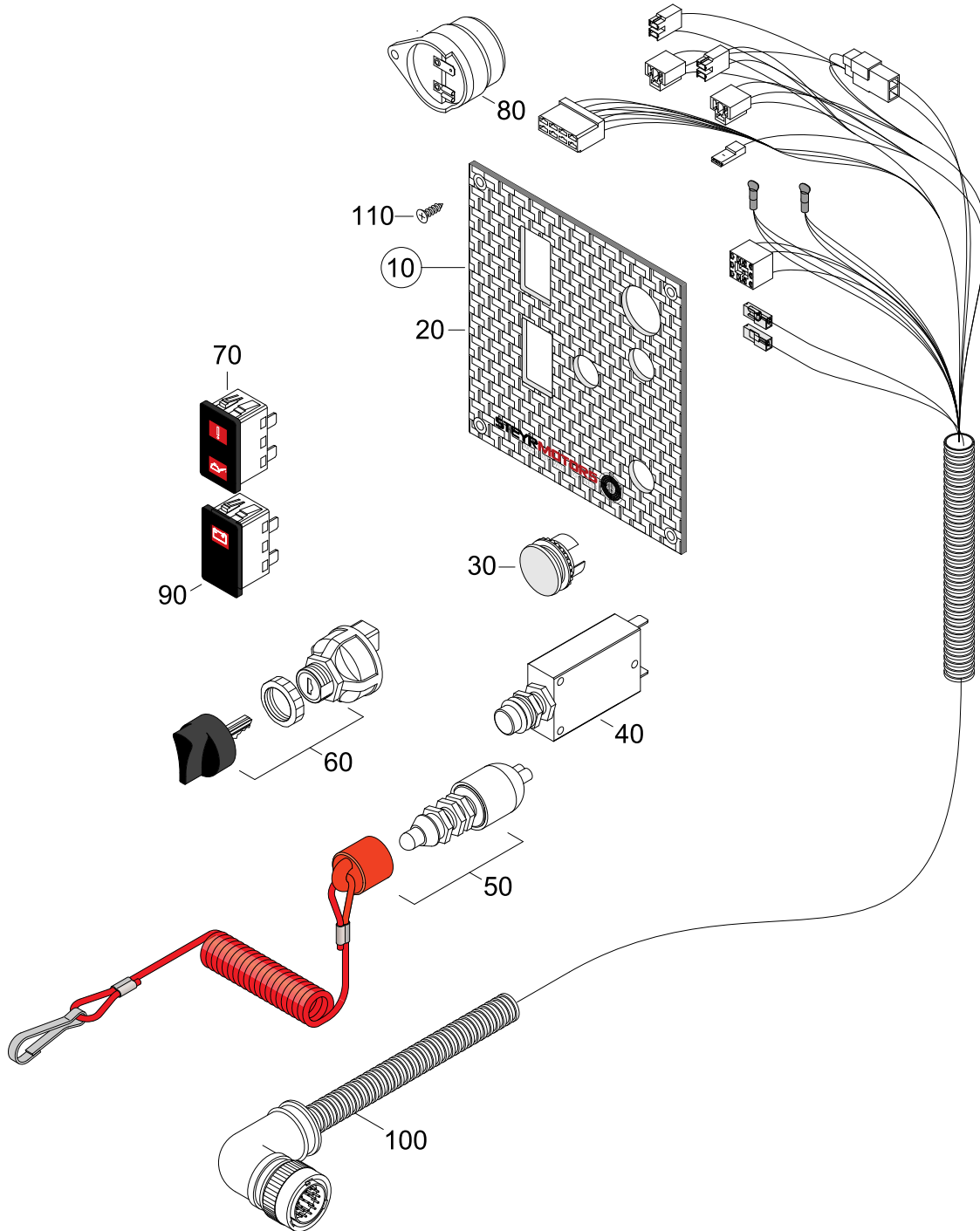


TA 0611

144 MARINE
TURBO DIESEL
+ SOLAS

**SWITCH PANEL FOR DISPLAY
FROM 2010-->**

06112184-1



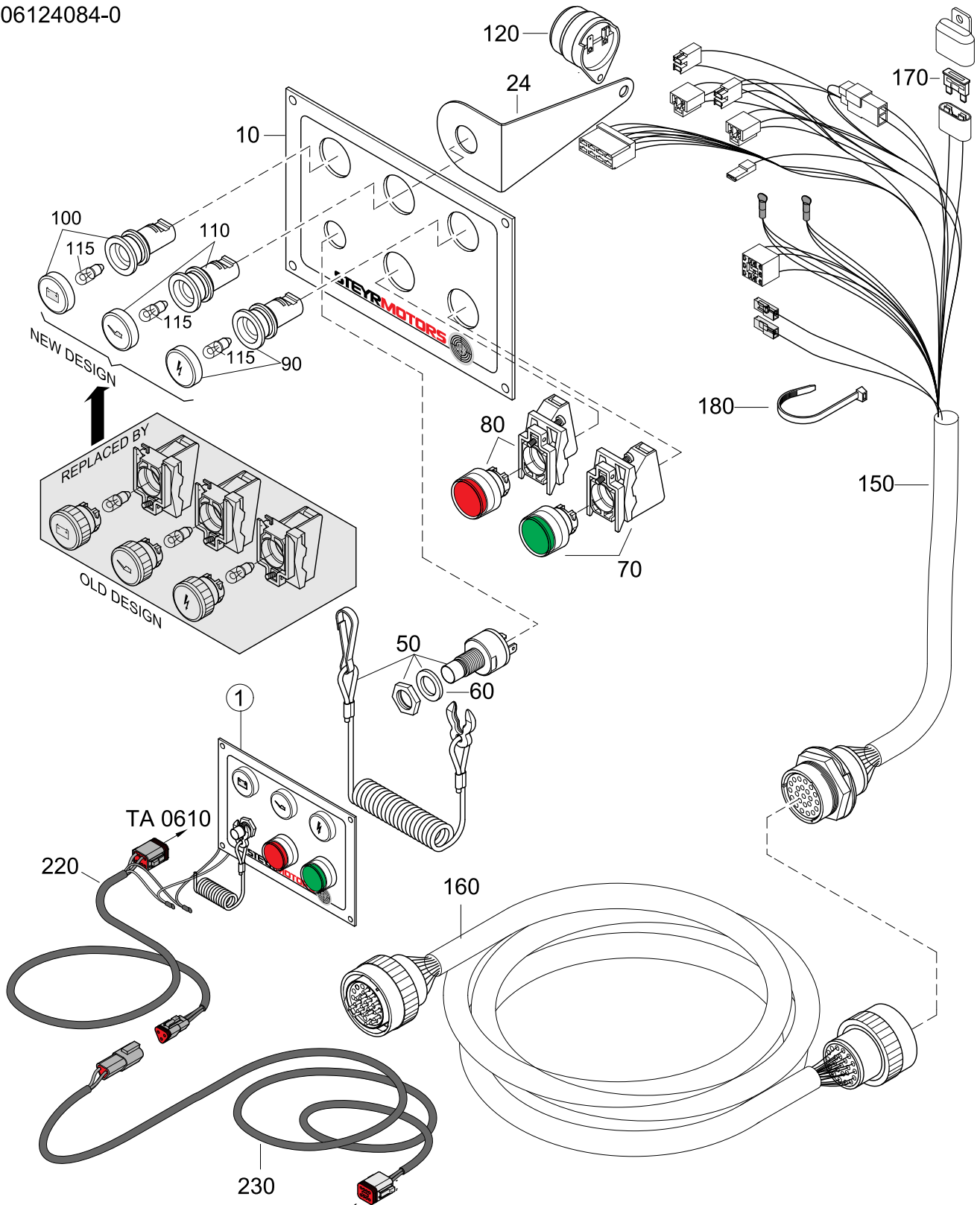


TA 0612

144 MARINE
TURBO DIESEL
+ SOLAS

**PUSH BUTTON PANEL SOLAS FOR DISPLAY
TILL -->2010**

06124084-0



**PUSH BUTTON PANEL SOLAS FOR DISPLAY
TILL -->2010**

144 MARINE
TURBO DIESEL
+ SOLAS

06124084-0

Pos.	Part.-No.	Qty	Designation	Step
1	Z002124-0	1	PUSH BUTTON PANEL ASSY. SOLAS (ALTERN. ISKRA)	.2
10	2179135-1	1	BASE PLATE INSTRUMENT PANEL SOLAS	..3
24	2179173-1	1	SHACKLE STRAIN RELIEF, PANEL	..3
50	Z002073-0	1	EMERGENCY CUTOFF SWITCH KIT	..3
60	2176170-0	1	O-RING 15 x 2	..3
70	2179294-0	1	SWITCH ASSY. START GREEN	..3
80	2179293-0	1	IGNITION SWITCH RED ASSY.	..3
90	2179290-0	1	WARNING-LIGHT CHECK ENGI. ASSY	..3
100	2179291-0	1	WARNING-LIGHT BATTERY CHARGE ASSY. 12V	..3
110	2179292-0	1	WARNING-LIGHT ENGINE-OIL ASSY.	..3
115	2179162-0	3	MINIATUR LAMP 12V/2W 10x28	..3
120	2178760-1	1	HORN AUDIBLE WARNING	..3
130	3870051-0	2	HEX.NUT ISO 4032-M4-A2-70	..3
140	3930072-0	2	WASHER LARGE SERIES DIN 9021-4.3-A2	..3
150	Z002671-0	1	CABLE ASSY. INSTR. 1.5m SOLAS (SPARE PART)	..3
160	2206291-1	1	INTERMEDIATE CABLE 5m SAME 23-WAY CON.	..3
170	11345	1	FUSE 10A, RED	..3
180	3171035-0	6	TIE STRAP N 05199-B4,8x180	..3
220	Z002131-0	1	CONNECTING CABLE-CANBUS(SPARE) WITH CONNECTOR	.2
230	2179150-1	1	INTERMEDIATE CABLE - CANBUS WITH CONNECTOR	.2



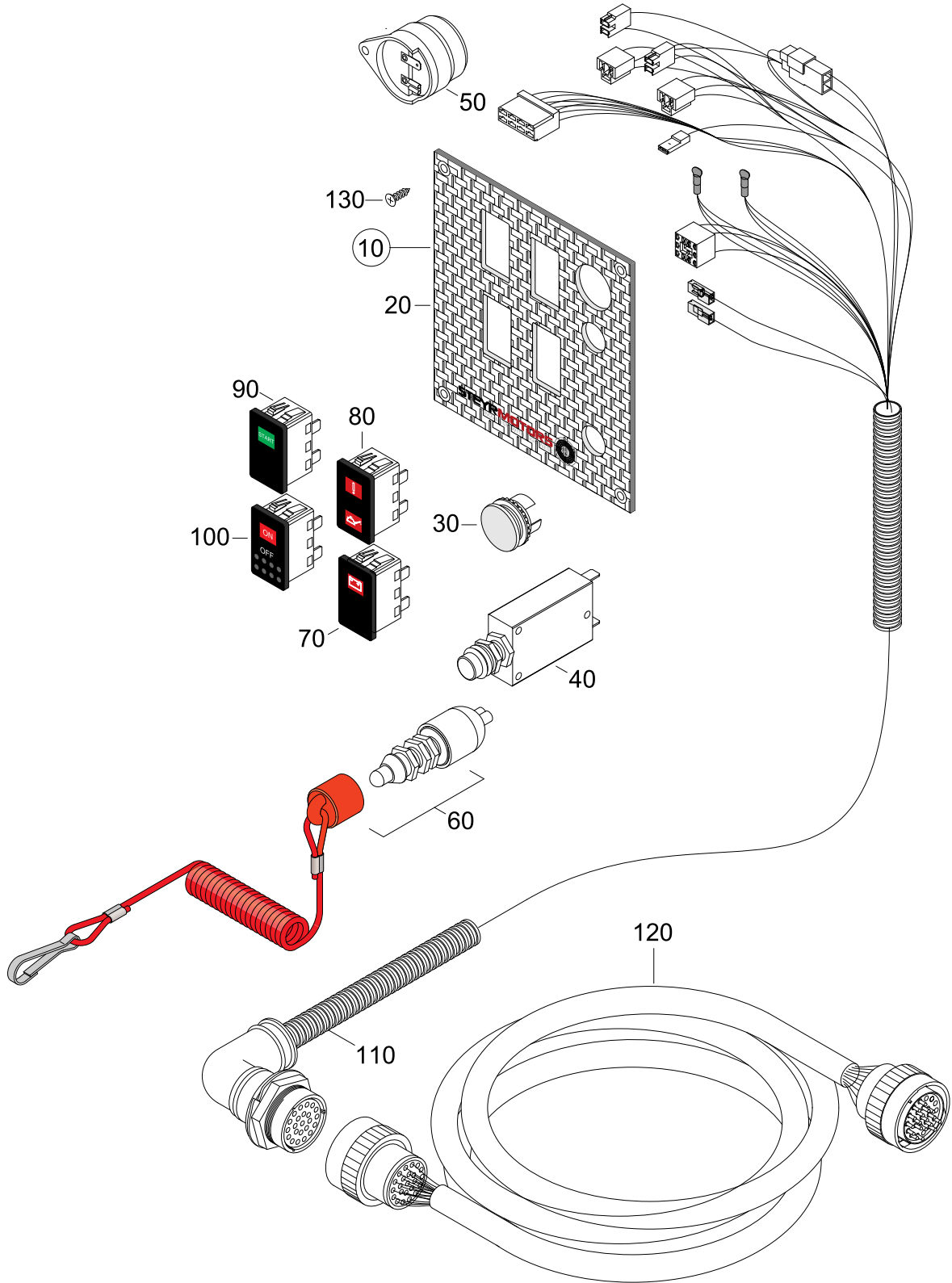


TA 0612

144 MARINE
TURBO DIESEL
+ SOLAS

**PUSH BUTTON PANEL SOLAS FOR DISPLAY
FROM 2010-->**

06122184-1





**PUSH BUTTON PANEL SOLAS FOR DISPLAY
FROM 2010-->**



06122184-1

Pos.	Part.-No.	Qty	Designation	Step
10	2179967-0	1	PUSH BUTTON PANEL (LED) SOLAS (FOR SCC-DISPLAY)	.2
20	2179984-0	1	FRONT PLATE, PUSH BUTTON PANEL	.3
30	2179320-0	1	BLIND PLUG, BLACK	.3
40	Z002180-0	1	THERMO PROTECTION SWITCH ASSY.	.3
50	2178760-1	1	HORN AUDIBLE WARNING	.3
60	2179978-0	1	EMERGENCY CUTOFF SWITCH	.3
70	Z002197-0	1	WARNING LED, BATTERY CHARGE	.3
80	Z002196-0	1	WARNING LED, CHECK ENGINE & OIL PRESSURE	.3
90	Z002198-0	1	START SWITCH, GREEN	.3
100	Z002199-0	1	IGNITION SWITCH	.3
110	2180077-0	1	CABLE ASSY. PUSH-BUTTON PANEL	.3
120	2206291-1	1	INTERMEDIATE CABLE 5m	.3
130	9000817-0	4	CR.REC.COUNT.SUNKHD.TPG.SCR. 3.5x16	.3





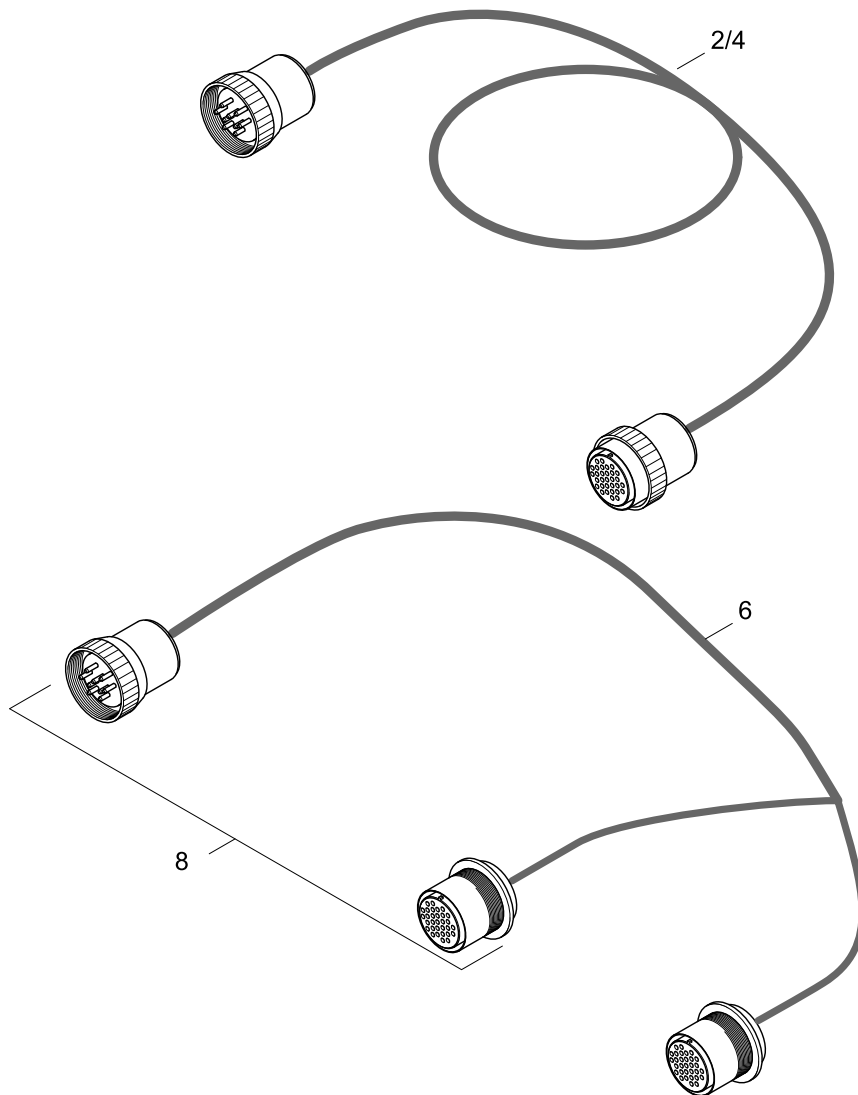
TA 0613

144 MARINE
TURBO DIESEL
+ SOLAS

**EXTENSION CABLE INSTRUMENTS
(ACCESSORY)**

06136184-0

NOTE: NOT COMPATIBLE WITH "SOLAS" INSTRUMENT PANEL





EXTENSION CABLE INSTRUMENTS (ACCESSORY)	144 MARINE TURBO DIESEL + SOLAS
--	---

06136184-0

Pos.	Part.-No.	Qty	Designation	Step
2	2206291-0	1	EXTENSION CABLE 6,3m 23-WAY CON.	.2
4	2206291-2	1	EXTENSION CABLE 10m 23 WAY CON.	.2
6	2206292-0	1	Y-JUNCTION CABLE 1m 23-WAY CON.	.2
8	Z002410-0	1	CABLE-PLUG PAIR COMPL. 23-POLE	.2

NOTE: NOT COMPATIBLE WITH "SOLAS" INSTRUMENT PANEL





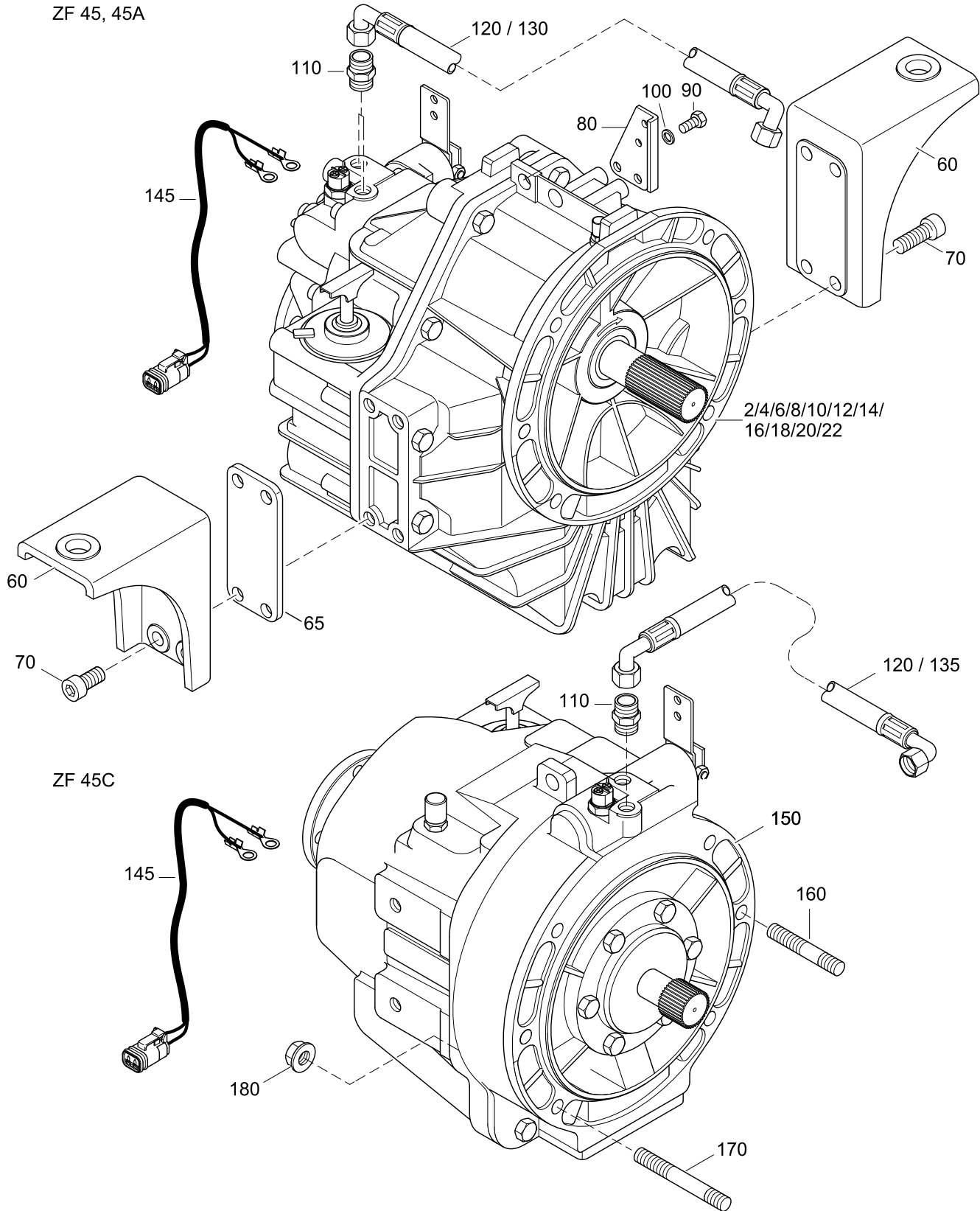
TA 0700

144 MARINE
TURBO DIESEL
+ SOLAS

TRANSMISS., MOUNTING BRACKETS, PIPES

07004084-0

ZF 45, 45A



ZF 45C





TRANSMISS., MOUNTING BRACKETS, PIPES

144 MARINE
TURBO DIESEL
+ SOLAS

07004084-0

Pos.	Part.-No.	Qty	Designation	Step
2	2178931-5	1	GEARBOX ASSY. ZF 45 A I=2.03 (PAINTED)	.2
4	2178931-6	1	GEARBOX ASSY. ZF 45 A I=1.51 (PAINTED)	.2
6	2178931-7	1	GEARBOX ASSY. ZF 45 A I=1.26 (PAINTED)	.2
8	2178931-8	1	GEARBOX ASSY. ZF 45 A I=2.43 (PAINTED)	.2
10	2178931-F	1	GEARBOX ASSY. ZF 45 A I=2.03 (PAINTED) WITH TROLLING VALVE	.2
12	2178931-G	1	GEARBOX ASSY. ZF 45 A I=1.51 (PAINTED) WITH TROLLING VALVE	.2
14	2178931-J	1	GEARBOX ASSY. ZF 45 A I=1.26 (PAINTED) WITH TROLLING VALVE	.2
16	2178931-I	1	GEARBOX ASSY. ZF 45 A I=2.43 (PAINTED) WITH TROLLING VALVE	.2
18	2178964-5	1	GEARBOX ASSY. ZF 45 I=2.51 (PAINTED)	.2
20	2178964-6	1	GEARBOX ASSY. ZF 45 I=3.74 (PAINTED)	.2
22	2178964-7	1	GEARBOX ASSY. ZF 45 I=3.03 (PAINTED)	.2
60	2178710-V	2	BRACKET GEAR-BOX DOWN ANGLE	.2
65	2203761-0	4	SPACER BRACKET GEAR BOX	.2
70	9000334-0	8	HEX.SOCK.HD.CAP SCR. DIN912-M12x55-8.8-A3C	.2
80	2178711-9	1	BRACKET SHIFT CABLE PAINTED	.2
90	3800224-0	2	HEX.HD.SCR. ISO 4017-M8x20-A2-70	.2
100	3930103-0	2	WASHER DIN 125-8.4-140HV-A2	.2
110	Z011655-0	2	THREADED SOCKET 3/8NPT-M18x1,5	.2
120	2178731-0	1	OIL HOSE L=690mm	.2
130	2178732-0	1	OIL HOSE L=825mm	.2
135	2178732-1	1	OIL HOSE L=505mm C-GEAR BOX	.2
145	2178745-1	1	HARNESS GEAR-SWITCH	.2
150	2178931-9	1	GEARBOX ASSY. ZF 45 C I=1 (PAINTED)	.2
160	9000704-0	2	STUD DIN 835-M10x90-8.8-A3C	.2
170	9000705-0	4	STUD DIN 835-M10x130-8.8-A3C	.2
180	9000042-1	6	HEX.FLANGE NUT DIN 6923-M10-8-A3C	.2



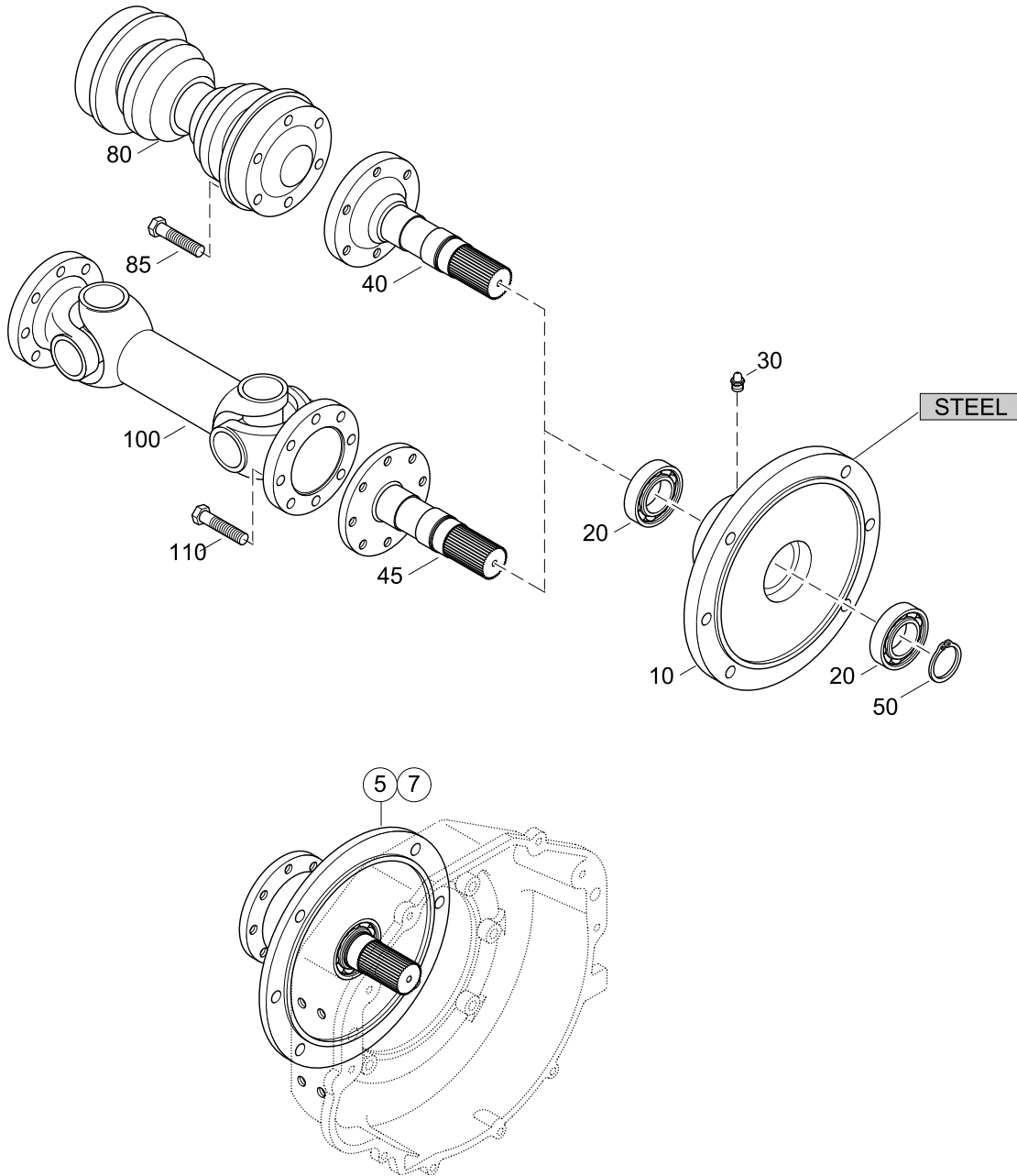


TA 0701

144 MARINE
TURBO DIESEL
+ SOLAS

TRANSMISSION-SHAFT, PTO-SHAFT (STEEL)

07016084-0



STEEL HOUSING



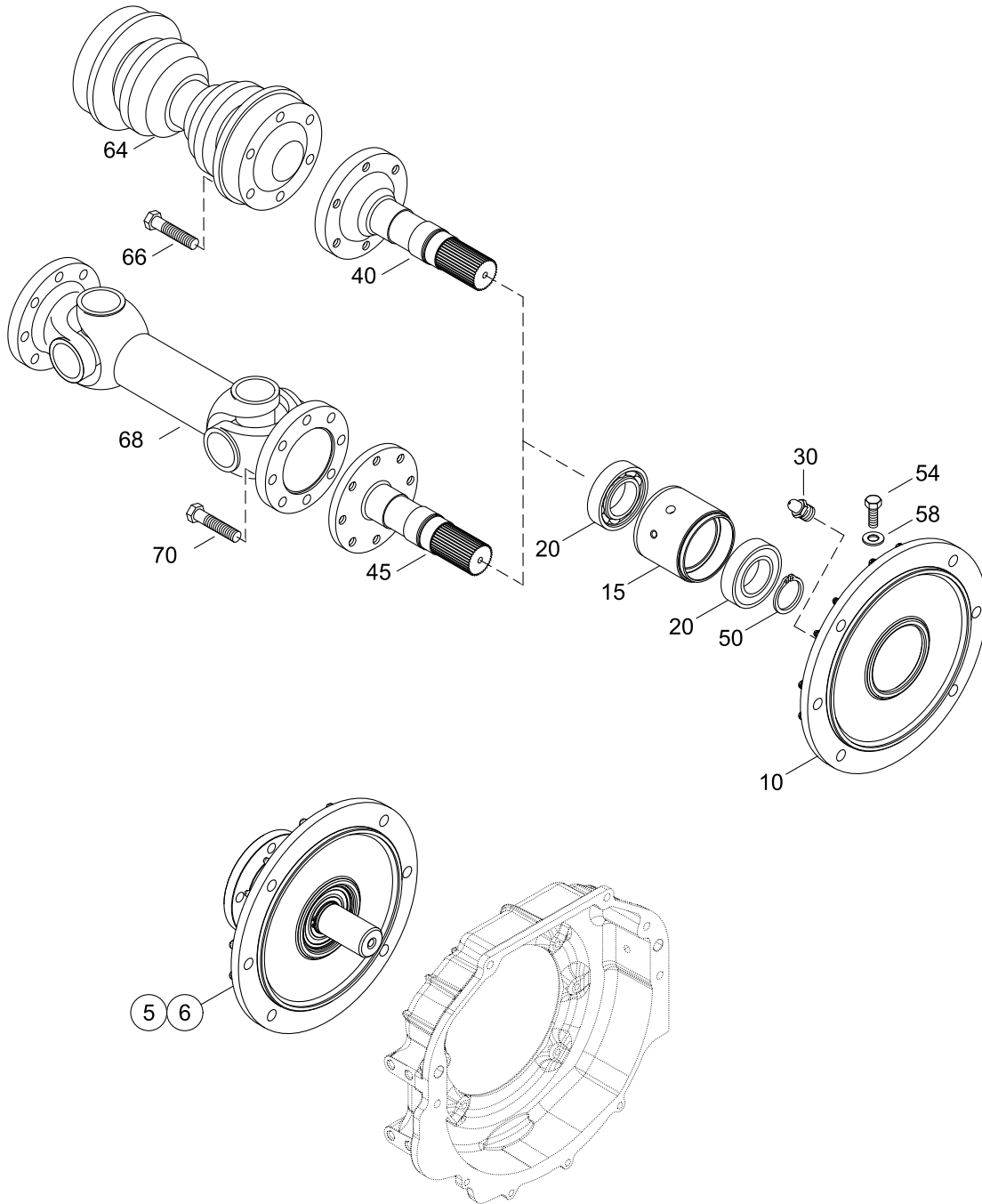


TA 0701

144 MARINE
TURBO DIESEL
+ SOLAS

TRANSMISSION-SHAFT, PTO-SHAFT (ALU)

07016184-0



ALU - HOUSING



TRANSMISSION-SHAFT, PTO-SHAFT (ALU)

144 MARINE
TURBO DIESEL
+ SOLAS

07016184-0

Pos.	Part.-No.	Qty	Designation	Step
5	Z002098-0	1	ADAPTER SHAFT ASSY. - 6-HOLES (PAINTED)	.2
6	Z002099-0	1	ADAPTER SHAFT ASSY. - 8-HOLES (PAINTED)	.2
10	2178815-1	1	ADAPTER HOUSING JET (ALU CASTING)	..3
15	2179328-0	1	BEARING RETAINER	..3
20	3311181-0	2	DEEP GROOVE BALL BEARING DIN 625-RS1	..3
30	3963112-0	1	LUBRICATING NIPPLE, CONE DIN 71412-AM8x1-A3F	..3
40	2178814-0	1	ADAPTER SHAFT ENGINE-PROPULSION (6-HOLES)	..3
45	2178814-1	1	ADAPTER SHAFT ENGINE-PROPULSION (8-HOLES)	..3
50	3933251-0	1	RETAINING RING SHAFT DIN 471-35x1,5	..3
54	3802442-0	2	HEX.HD.SCR. ISO 4017-M8x40-8.8-A2C	..3
58	O125134-0	2	WASHER LARGE	..3
64	2178836-1	1	PROPELLER SHAFT SHORT L=210 +/-24mm	.2
66	9000198-0	6	HEX.HD.BOLT ISO 4014-M12x65-8.8-A3C	.2
68	2178836-0	1	SLIDING SHAFT LONG L=354mm +70	.2
70	3802515-0	8	HEX.HD.SCR. ISO 4017-M10x20-8.8-A3C	.2



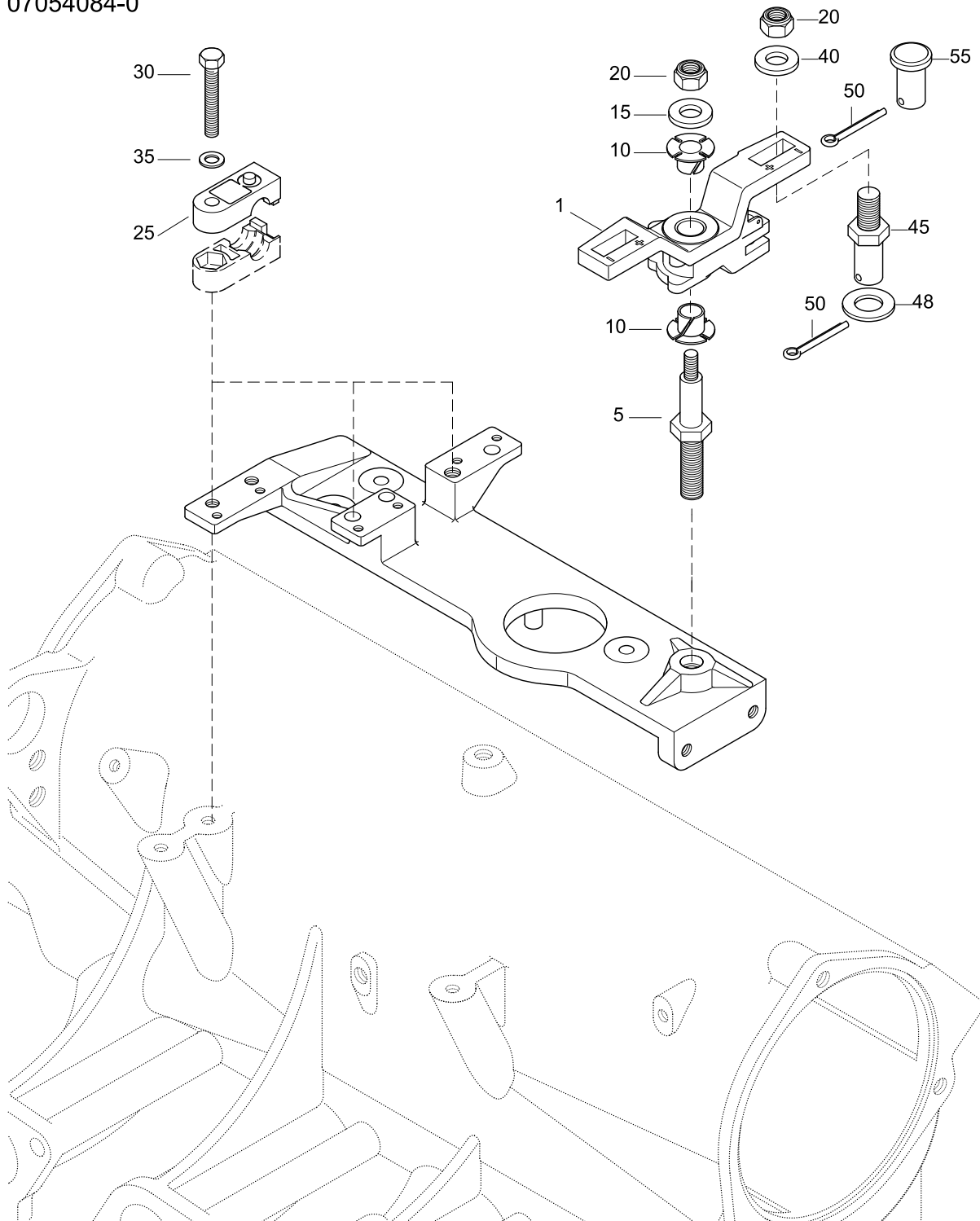


TA 0705

144 MARINE
TURBO DIESEL
+ SOLAS

TRANSMISSION GEAR SHIFT, CONTROLS

07054084-0



TRANSMISSION GEAR SHIFT, CONTROLS	144 MARINE TURBO DIESEL + SOLAS
--	---

07054084-0

Pos.	Part.-No.	Qty	Designation	Step
1	O915911-0	1	CONTROLLEVER	.2
5	O914626-0	1	STUDCONTROLLEVER	.2
10	O311015-0	2	BUSHING	.2
15	O328738-0	1	PLAIN WASHER 1/4	.2
20	O121731-0	2	NUT, LOCK 1/4-28 SST	.2
25	O913795-0	4	CLAMP BOWDEN WIRE	.2
30	3800222-0	2	HEX.HD.SCR. ISO 4017-M6x35-A2-70	.2
35	3930070-0	2	WASHER DIN 125-6-140HV-A2	.2
40	O328703-0	1	PLAIN WASHER 1/4x5/8 SST	.2
45	O914727-0	1	STUD BOLT	.2
48	O304051-0	1	WASHER, SHIFT CABLE	.2
50	O305650-0	2	COTTER PIN	.2
55	O913791-0	1	BOLT	.2



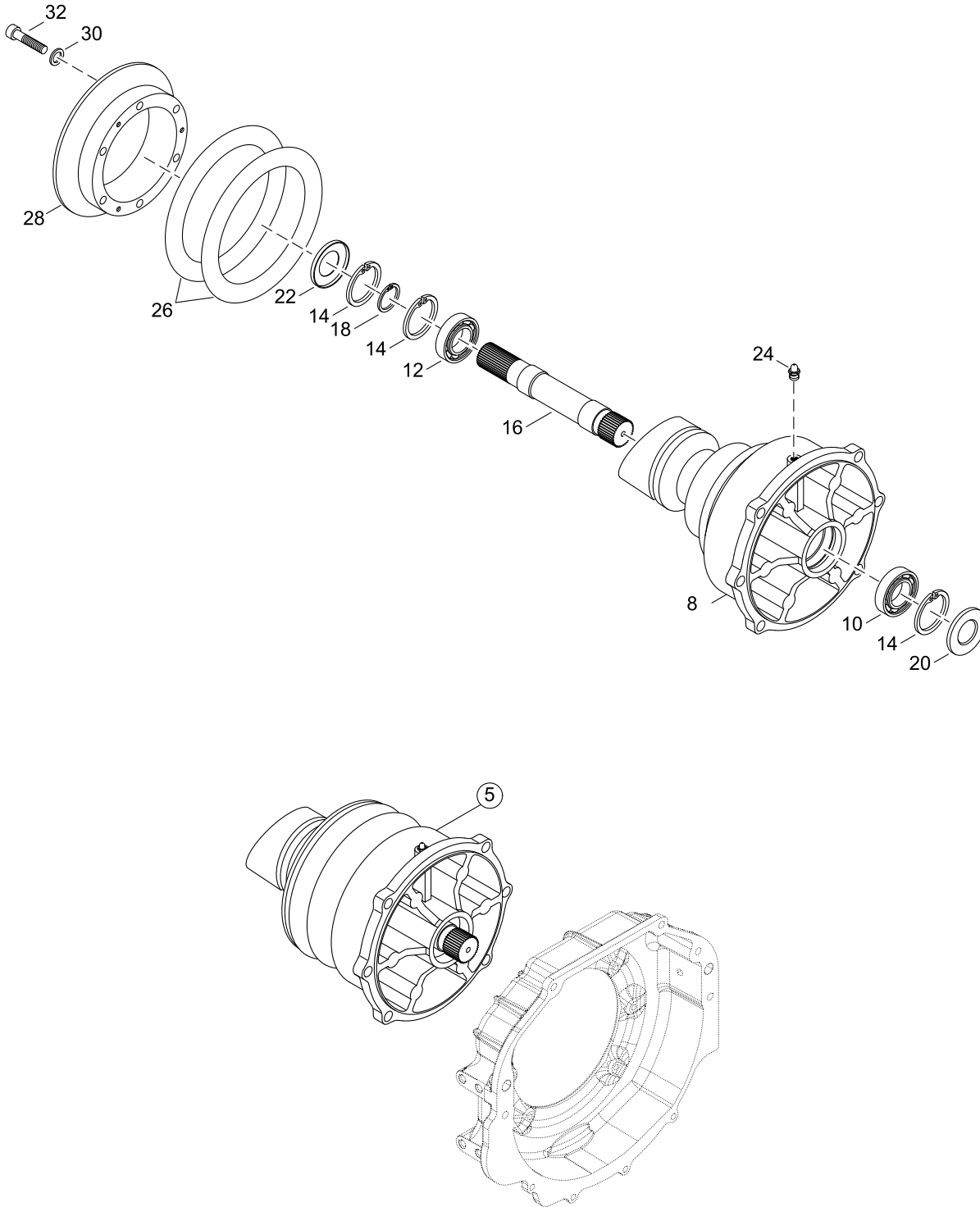


TA 0720

144 MARINE
TURBO DIESEL
+ SOLAS

**DRIVE ADAPTOR VOLVO STERNDRIVE
(ACCESSORY)**

07206084-0



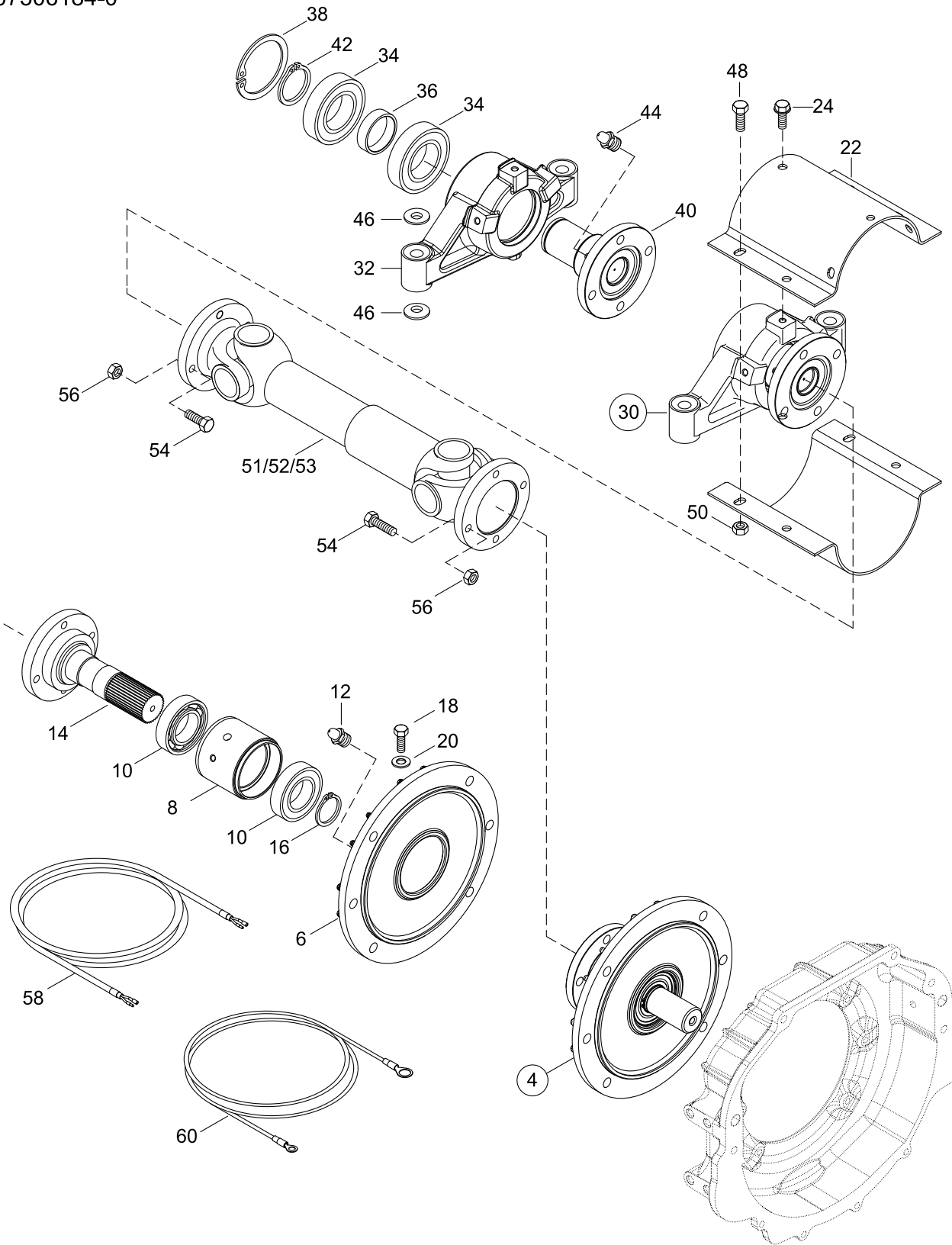


TA 0730

144 MARINE
TURBO DIESEL
+ SOLAS

**DRIVE SHAFT EXT. MERCURY STERNDRIVE
(ACCESSORY)**

07306184-0





**DRIVE SHAFT EXT. MERCURY STERNDRIVE
(ACCESSORY)**

144 MARINE
TURBO DIESEL
+ SOLAS

07306184-0

Pos.	Part.-No.	Qty	Designation	Step
4	Z002116-0	1	ADAPTER SHAFT ASSY. - MERCURY W.LENGTH BALANCE (PAINTED)	.2
6	Z002117-0	1	ADAPTER HOUSING - PAINTED (ALUCASTING)	..3
8	2179328-0	1	BEARING RETAINER	..3
10	3311181-0	2	DEEP GROOVE BALL BEARING DIN 625-RS1	..3
12	3963112-0	1	LUBRICATING NIPPLE, CONE DIN 71412-AM8x1-A3F	..3
14	2178814-2	1	ADAPTER SHAFT (MERCURY)	..3
16	3933251-0	1	RETAINING RING SHAFT DIN 471-35x1,5	..3
18	3802442-0	2	HEX.HD.SCR. ISO 4017-M8x40-8.8-A2C	..3
20	O125134-0	2	WASHER LARGE	..3
22	2179273-0	4	COVER PLATE	.2
24	9000305-0	6	HEX.FLANGE BOLT EN 1665-M8x20-10.9-DAC	.2
30	Z002118-0	1	BEARING BLOCK DRIVE SH. MERC. ASSY. (PAINTED)	.2
32	Z002119-0	1	BEARING BLOCK DRIVE SH. MERC. (PAINTED)	..3
34	9000486-0	2	DEEP GROOVE BALL BEARING DIN 625-6209 2RS1	..3
36	2179271-0	1	DISTANCE PLATE	..3
38	9000403-0	1	RETAINING RING BORE DIN 472-85x3	..3
40	Z002120-0	1	SHAFT-FLANGE DRIVE SHAFT MERC.	..3
42	3933350-0	1	RETAINING RING SHAFT DIN 471-45x1.75-BLANK	..3
44	3963112-0	1	LUBRICATING NIPPLE, CONE DIN 71412-AM8x1-A3F	..3
46	2179274-0	4	WASHER SPHERIC	.2
48	3802515-0	8	HEX.HD.SCR. ISO 4017-M10x20-8.8-A3C	.2
50	9000052-0	8	HEX.FLANGE NUT,PREVG.TOR. DIN 6927-M10-8-DAC A500	.2
51	Z002079-0	1	DRIVE SHAFT L=432mm & SCREWS	.2
52	Z002080-0	1	DRIVE SHAFT L=1000mm & SCREWS	.2
53	Z002081-0	1	DRIVE SHAFT L=1500mm & SCREWS	.2
54	9000066-0	8	HEX.HD.BOLT ISO 4017-M10x35-12.9	..3
56	9000052-0	8	HEX.FLANGE NUT,PREVG.TOR. DIN 6927-M10-8-DAC A500	..3
58	2179352-0	1	EXTENSION CABLE - TRIMSSENSOR 1,5m	.2
60	2179353-0	1	GROUND WIRE FLYW.HSG-TRANSOM 1,8m	.2





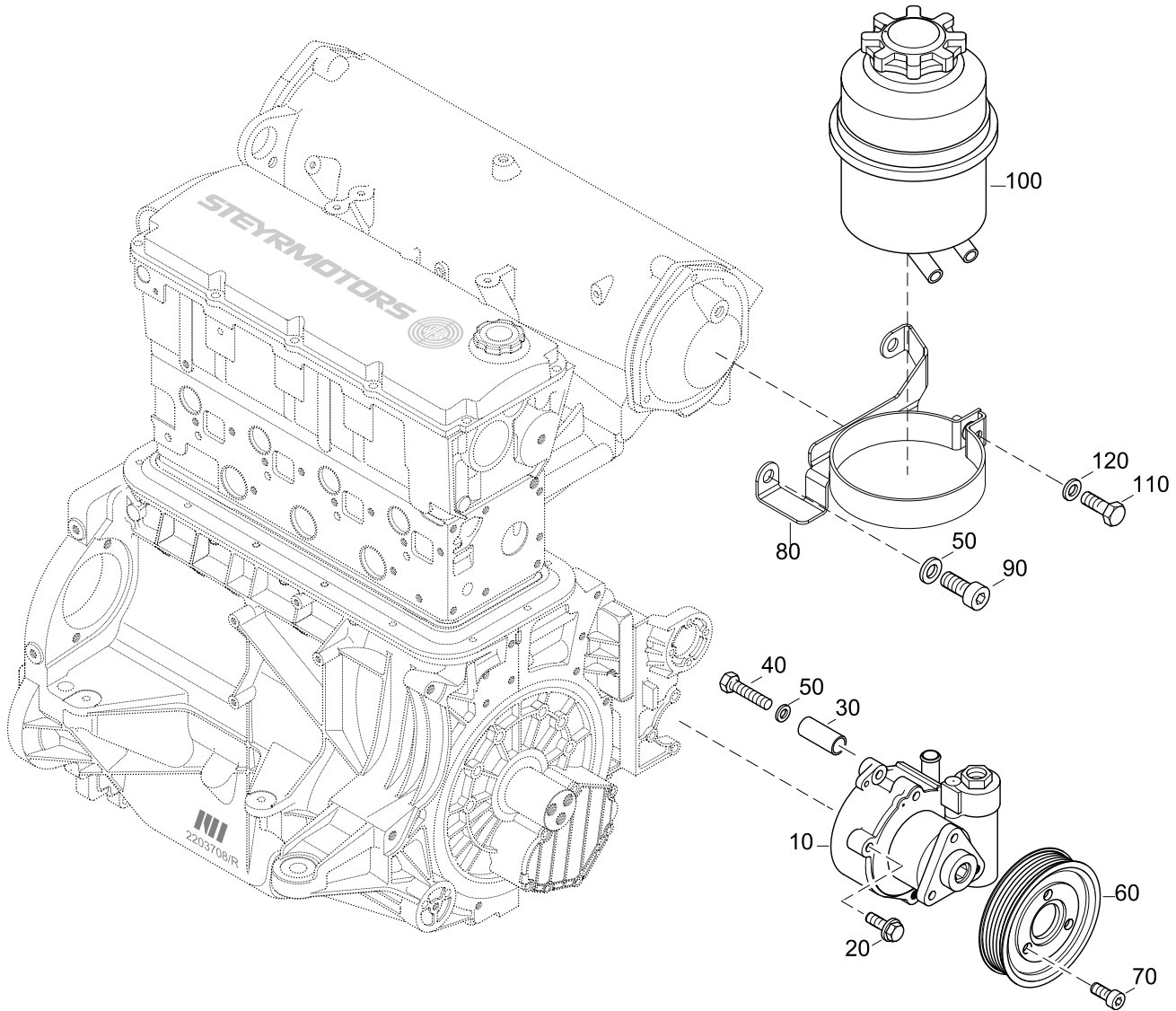
TA 1408



144 MARINE
TURBO DIESEL
+ SOLAS

HYDRAULIC PUMP

14084084-0





HYDRAULIC PUMP	144 MARINE TURBO DIESEL + SOLAS
-----------------------	---

14084084-0

Pos.	Part.-No.	Qty	Designation	Step
10	2203712-9	1	POWER STEERING PUMP (PAINTED)	.2
20	9000278-0	3	HEX.FLANGE BOLT EN 1665-M8x35-8.8-A2C	.2
30	2203750-0	1	CLAMPING SLEEVE PWR.STRG.PUMP	.2
40	3802442-0	1	HEX.HD.SCR. ISO 4017-M8x40-8.8-A2C	.2
50	3930103-0	3	WASHER DIN 125-8.4-140HV-A2	.2
60	2203743-0	1	PULLEY PWR.STRG.PUMP POLY-V	.2
70	3860152-0	3	HEX.SOCK. HD.CAP SCR. DIN 912-M8x16-A2-70	.2
80	2203759-0	1	FASTENI. OILTANK PWR.STRG.PUMP 4 CYL. MARINE	.2
90	3862462-0	2	HEX.SOCK. HD.CAP SCR. DIN 912-M8x60-8.8-A2C	.2
100	2178869-1	1	OILTANK POWER STEERING PUMP	.2
110	3800223-0	1	HEX.HD.SCR. ISO 4017-M6x60-A2-70	.2
120	3930070-0	1	WASHER DIN 125-6-140HV-A2	.2
130	Z002067-1	1	POWER STEERING PUMP & LINES KIT 4 CYL.	.2





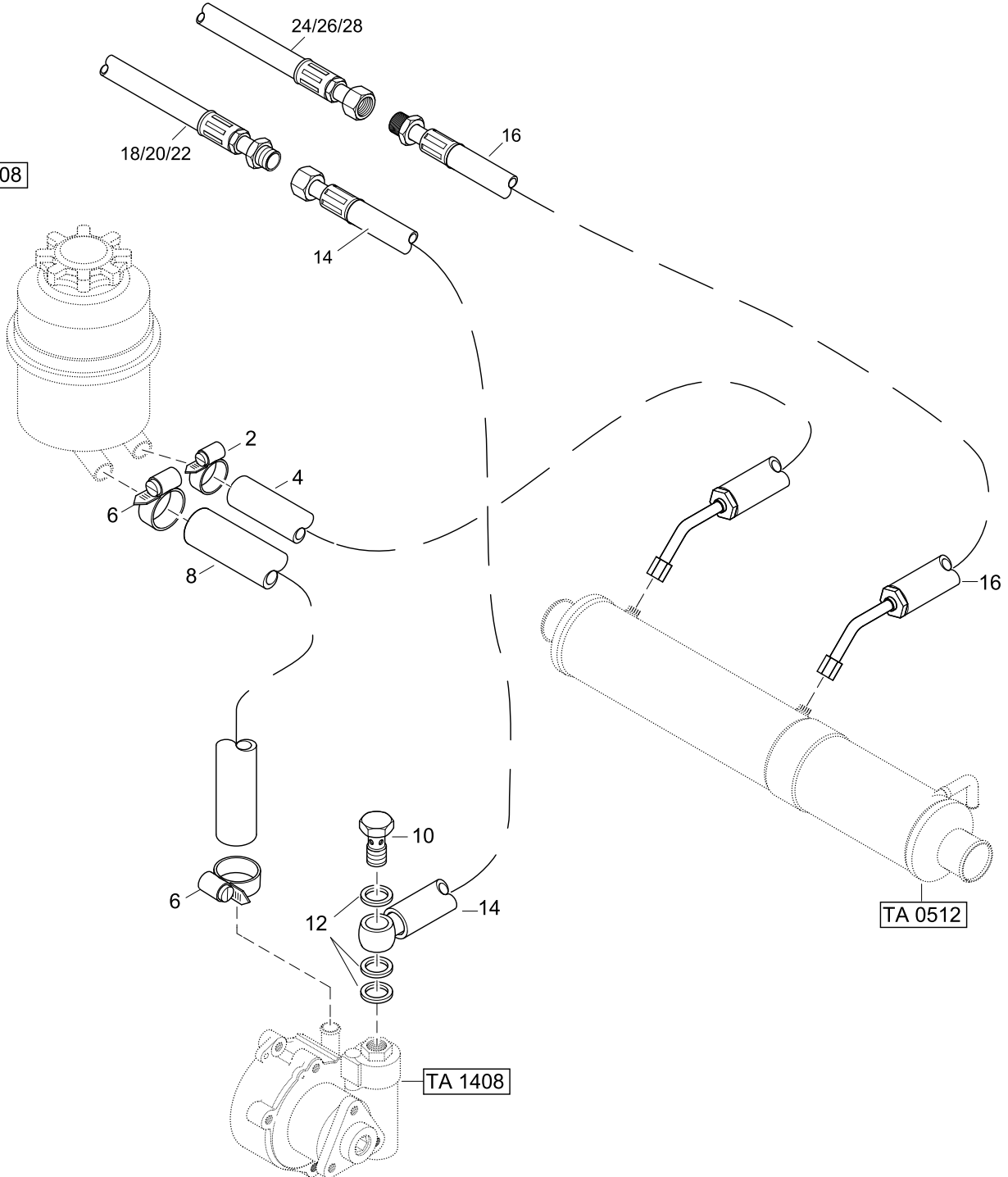
TA 1409

144 MARINE
TURBO DIESEL
+ SOLAS

HYDRAULIC PIPES

14094084-0

TA 1408



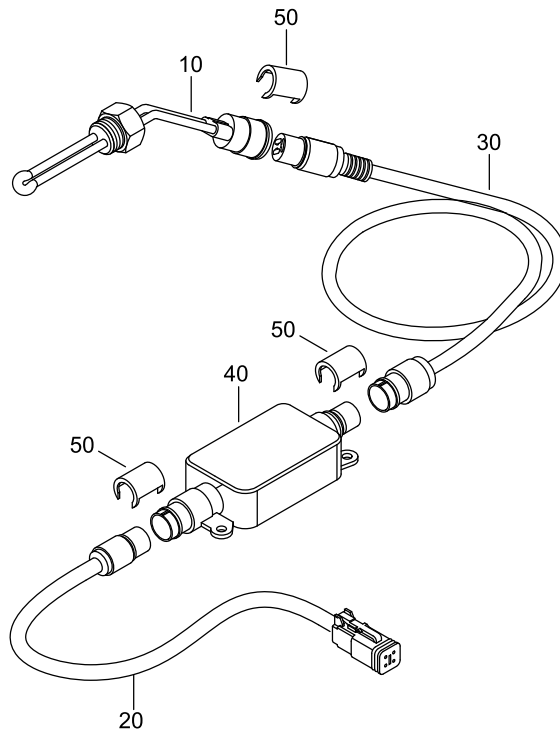
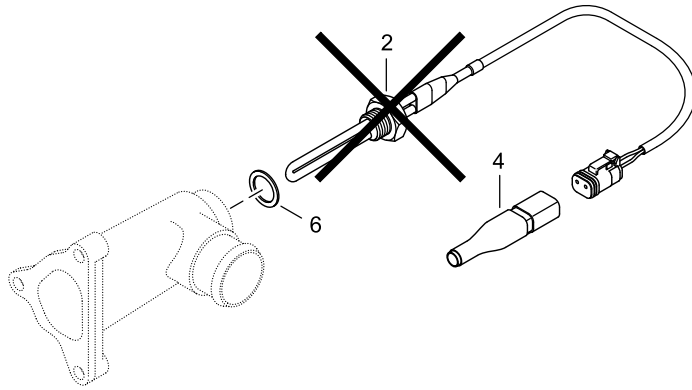


TA 2207

144 MARINE
TURBO DIESEL
+ SOLAS

**ENGINE PREHEATING
(ACCESSORY)**

22076184-0





**ENGINE PREHEATING
(ACCESSORY)**

144 MARINE
 TURBO DIESEL
+ SOLAS

22076184-0

Pos.	Part.-No.	Qty	Designation	Step
2	Z002202-0	1	KIT BLOCK HEATING DEVICE 42V - 300W (RETROFITTING KIT)	.2
4	2178982-5	1	THERMO SWITCH, PREHEATING DEVICE	.2
6	3098026-0	1	SEALING RING DIN 7603-A22x27-CU	.2
10	2180393-0	1	BLOCK HEATING DEVICE 42V - 300W	.2
20	2180396-0	1	CABLE ENGINE PREHEATING DEVICE 0,5m	.2
30	2206318-0	1	CABLE ENGINE PREHEATING DEVICE, 2m	.2
40	2180395-0	1	THERMO SWITCH	.2
50	2180695-0	3	SAFETY LOCK	.2





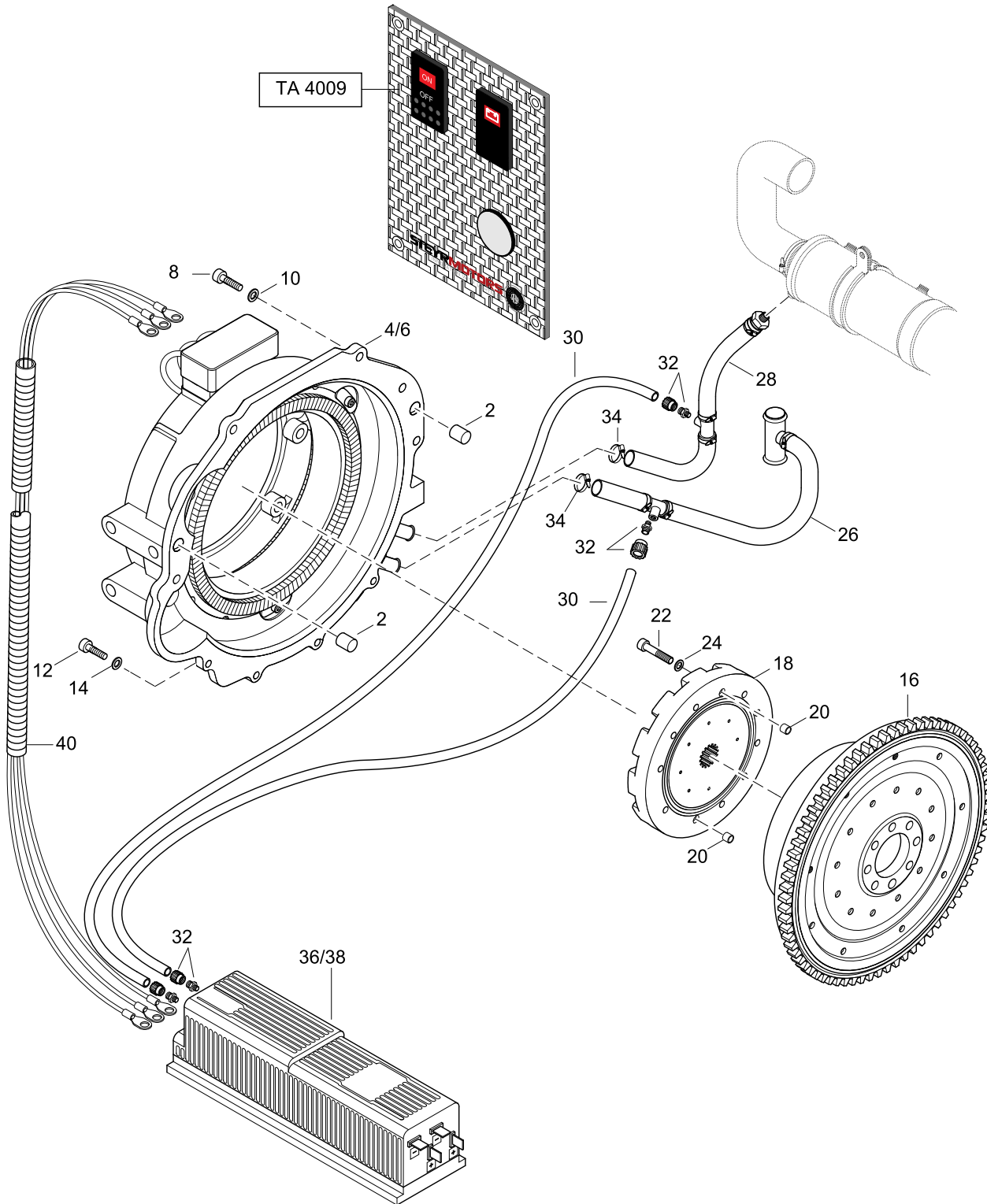
TA 4000



144 MARINE
TURBO DIESEL
+ SOLAS

**INTEGR. FLYWHEELGENERATOR (IFG)
(ACCESSORY)**

40004084-0



INTEGR. FLYWHEELGENERATOR (IFG) (ACCESSORY)	144 MARINE TURBO DIESEL + SOLAS
--	---

40004084-0

Pos.	Part.-No.	Qty	Designation	Step
2	9000490-0	2	PARALLEL PIN 16m6x22-ST	.2
4	Z002104-0	1	S.P.FLYWHEEL HSG. IFG 24V ASSY (PAINTED)	.2
6	Z002105-0	1	S.P.FLYWHEEL HSG. IFG 12V ASSY (PAINTED)	.2
8	3862545-0	5	HEX.SOCK. HD.CAP SCR. DIN 912-M10x35-A2-70	.2
10	3930075-0	5	WASHER DIN 125 A10.5-140HV-A2	.2
12	3862433-0	4	HEX.SOCK. HD.CAP SCR. DIN 912-M8x30-A2-70	.2
14	3930103-0	4	WASHER DIN 125-8.4-140HV-A2	.2
16	Z002430-0	1	S.P.FLYWHEEL 4 CYL. „IFG“ ASSY (BALANCED)	.2
18	Z002106-0	1	S.P. COUPLER „IFG“	.2
20	2203543-0	2	FITTING SLEEVE DM11 (TO M8)	.2
22	9000473-0	12	HEX.SOCK. HD.CAP SCR. DIN 912-M8x100-12.9-DAC A500	.2
24	3930103-0	12	WASHER DIN 125-8.4-140HV-A2	.2
26	Z002107-0	1	COOLING WATER HOSE ASSY. „IFG“ (RETURN)	.2
28	Z002108-0	1	COOLING WATER HOSE ASSY. „IFG“ (SUPPLY)	.2
30	2179298-0	2	HOSE 8x1.25 L=2000mm	.2
32	2179297-0	4	FAST SCREW CONNECTION	.2
34	2178655-0	8	SCHLAUCHSCHELLE 12-20/9	.2
36	Z002110-0	1	ELECTR.CONTROL SYSTEM IFG 24V	.2
38	Z002111-0	1	ELECTR.CONTROL SYSTEM IFG 12V	.2
40	Z002112-0	1	KIT CONNECTING CABLE IFG	.2





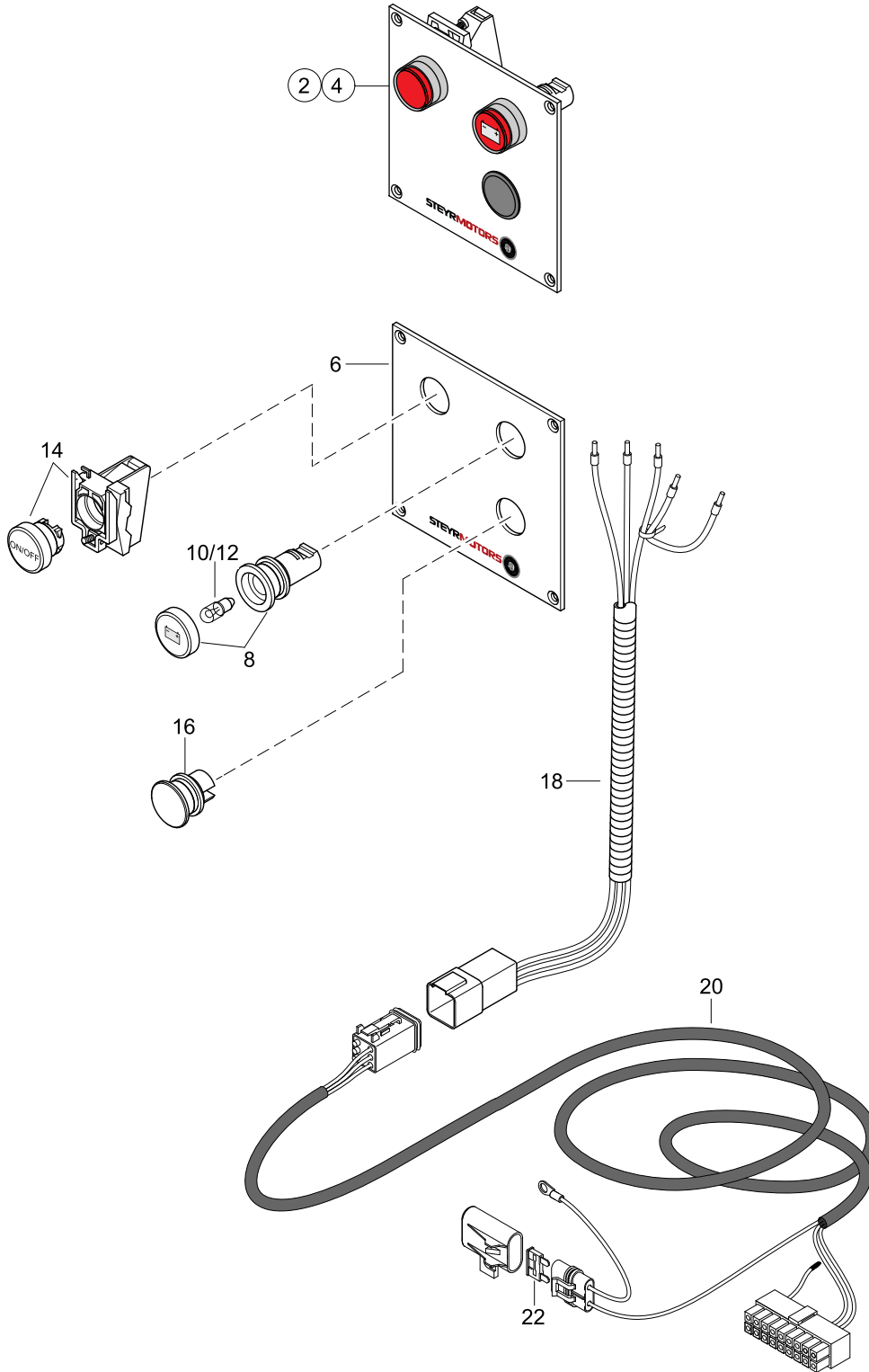
TA 4009



144 MARINE
TURBO DIESEL
+ SOLAS

**PUSH BUTTON PANEL „IFG“
TILL -->2010**

40096184-0



**PUSH BUTTON PANEL „IFG“
TILL -->2010**

144 MARINE
TURBO DIESEL
+ SOLAS

40096184-0

Pos.	Part.-No.	Qty	Designation	Step
2	Z002114-0	1	PUSH BUTTON PANEL IFG 24V ASSY	.2
4	Z002113-0	1	PUSH BUTTON PANEL IFG 12V ASSY	.2
6	2179284-0	1	INSTRUMENT PANEL IFG	..3
8	Z002115-0	1	WARNING-LIGHT BATTERY CHARGE ASSY. 12V & 24V	..3
10	2179162-0	1	MINIATUR LAMP 12V/2W 10x28	..3
12	2179141-0	1	MINIATUR LAMP 24V/3W 10x28	..3
14	2179293-5	1	IGNITION SWITCH RED ASSY.	..3
16	2179320-0	1	BLIND PLUG, BLACK	..3
18	2206298-0	1	WIRING HARNESS ASSY. IFG-PANEL	..3
20	2206299-0	1	CONNE. CABLE AY. 8m IFG-PANEL	..3
22	11345	1	FUSE 10A, RED	..3



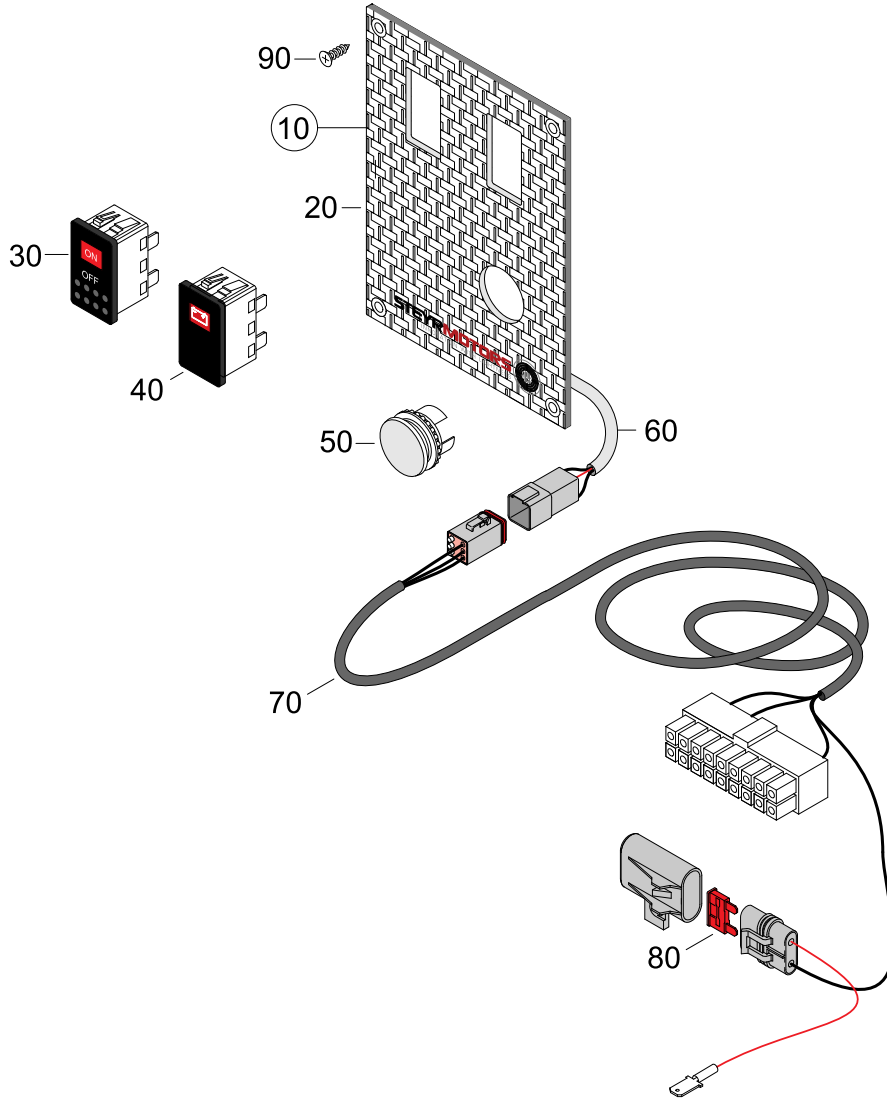


TA 4009

144 MARINE
TURBO DIESEL
+ SOLAS

PUSH BUTTON PANEL „IFG“
FROM 2010-->

40096184-1



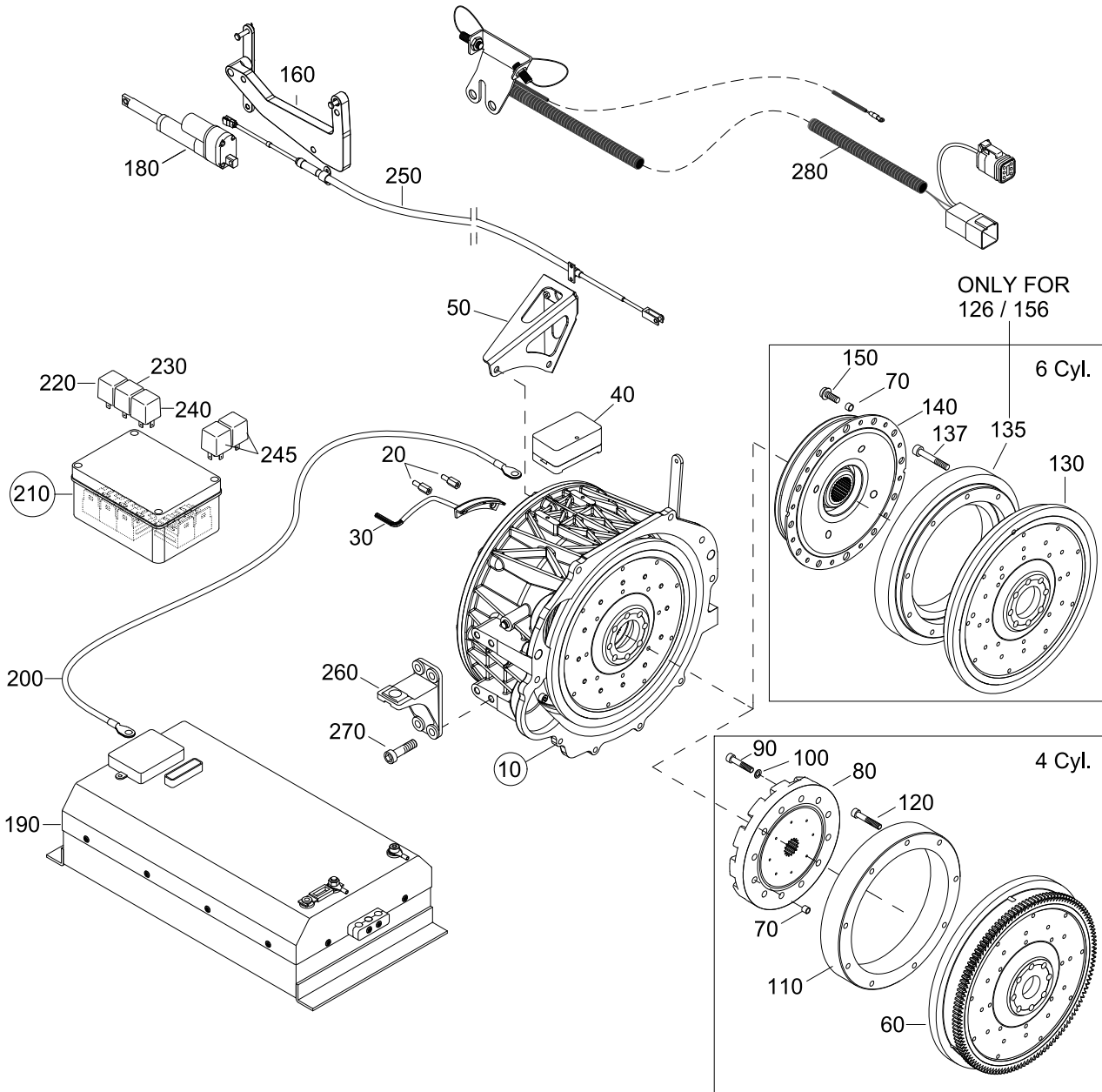


TA 4100

144 MARINE
TURBO DIESEL
+ SOLAS

HYBRID

41006184-0



HYBRID	144 MARINE TURBO DIESEL + SOLAS
---------------	---

41006184-0

Pos.	Part.-No.	Qty	Designation	Step
10	Z002171-0	1	ELECTRIC MOTOR ASSY.	.2
20	2179623-1	2	DISTANCE BOLT	..3
30	Z002173-0	1	HALL SENSOR ASSY.	..3
40	2179758-0	1	CONNECTION PLATE	..3
50	2180122-0	1	GEAR SHIFT BRACKET	..3
60	2203870-0	1	FLYWHEEL ASSY. RW	.2
70	2203543-0	2	FITTING SLEEVE	.2
80	Z002106-0	1	S.P. COUPLER	.2
90	9000520-0	12	HEX.SOCK.HD.CAP SCR. ISO 4762-M8x50-10.9-DAC	.2
100	3930103-0	12	WASHER DIN 125-8.4-140HV-A2	.2
110	2180415-0	1	FLYWHEEL MASS	.2
120	3862462-0	9	HEX.SOCK.HD.CAP SCR. DIN 912-M8x60-8.8-A2C	.2
130	2177734-N	1	FLYWHEEL ASSY. RW	.2
135	2180522-0	1	FLYWHEEL MASS	.2
137	3862452-0	9	HEX.SOCK.HD.CAP SCR. DIN 912-M8x50-8.8-A2C	.2
140	Z026060-0	1	S.P. COUPLER	.2
150	9000685-0	12	LOCKING SCREW-M8x16-10.9	.2
160	2179739-1	1	CONTROL BRACKET ASSY.	.2
180	Z002174-0	1	CONTROL MOTOR, CLUTCH	.2
190	Z002195-0	1	ELECTR.CONTROL SYSTEM	.2
200	Z021009-0	3	CONNECTING CABLE	.2
210	Z002175-0	1	RELAIS BOX ASSY.	.2
220	2179961-0	1	PROGRAMMED RELAIS, A12	..3
230	2179960-0	1	PROGRAMMED RELAIS, A11	..3
240	2179959-0	1	PROGRAMMED RELAIS, A10	..3
245	9000183-0	2	RELAY 12V 40A	..3
250	Z002178-0	1	GEAR SHIFT CABLE ASSY.	.2
260	2178722-1	2	BRACKET FLYWHEEL HOUSING	.2
270	9000081-0	8	HEX.SOCK.HD.CAP SCR. DIN 912-M12x35-8.8-A3C	.2
280	Z026154-0	1	POSITION SENSORS ASSY. (SPARE PART)	.2



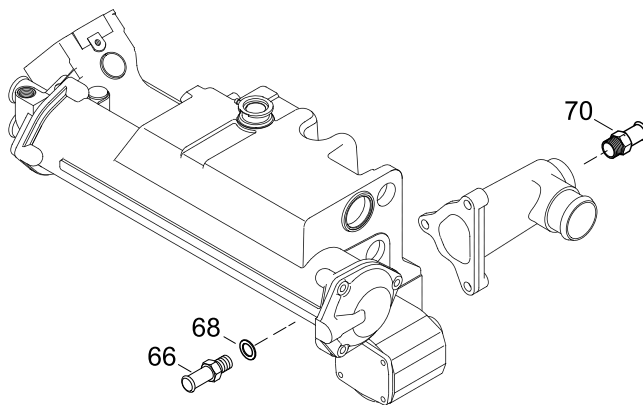
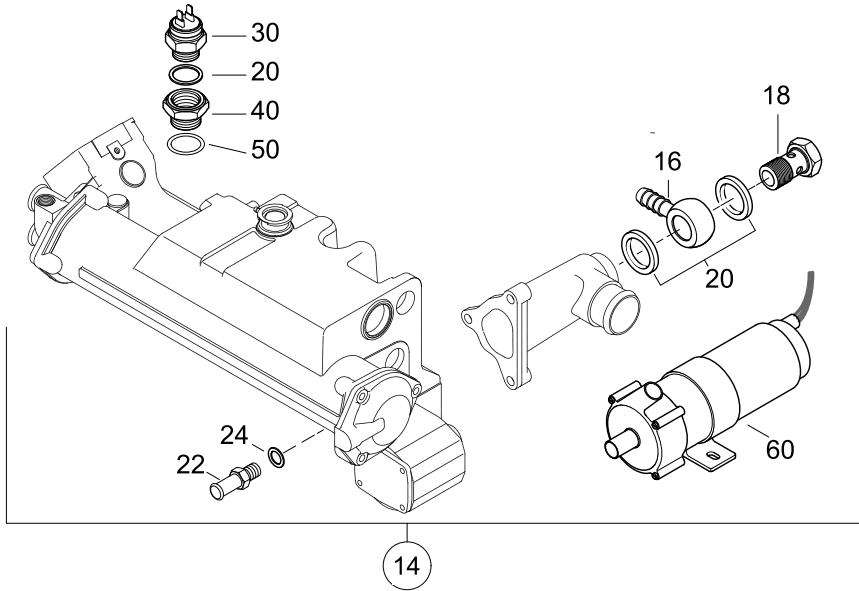


TA 6012

144 MARINE
TURBO DIESEL
+ SOLAS

**HEATING UNIT, CIRCULATION PUMP
(ACCESSORY)**

60124084-0



HEATING UNIT, CIRCULATION PUMP (ACCESSORY)	144 MARINE TURBO DIESEL + SOLAS
---	---

60124084-0

Pos.	Part.-No.	Qty	Designation	Step
14	2178774-2	1	HOT WATER FITT. KIT W. PU. (W/O WATER COOLED TURBO) 48219001—>	.2
16	2178770-0	1	BANJO	.3
18	9000093-0	1	HOLLOW SCREW M22x1,5 DIN 7643-18-A3C	.3
20	3098026-0	3	SEALING RING DIN 7603-A22x27-CU	.3
22	2178698-0	1	NIPPLE HEATER ON OIL COOLER	.3
24	3098013-0	1	SEALING RING DIN 7603-A12x18-CU	.3
30	2178771-0	1	THERMO SWITCH, HEATING PUMP	.3
40	2180078-0	1	ADAPTER THERMO SWITCH	.3
50	2179242-0	1	O-RING 27x2,5	.3
60	2178772-0	1	CIRCULATION PUMP	.3
66	2178698-0	1	NIPPLE HEATER ON OIL COOLER	.2
68	3098013-0	1	SEALING RING DIN 7603-A12x18-CU	.2
70	2178607-1	1	HOSE CONNECTOR HEATER (TILL —>48218999)	.2

